



BILL OF MATERIAL			DATE	
ITEM	QTY	PART NO.	DESCRIPTION	DATE
1	1	ASSEMBLY	ASSEMBLY	2/10/03
2	1	PRIMER	PRIMER	2/10/03
3	2	PRIMER	PRIMER	2/10/03
4	1	500053M	CONNECTION ROD	2/10/03
5	1	500053	CONNECTION ROD	2/10/03
6	1	500054	3/4" CHARGE WIRE	2/10/03
7	1	500054	3/4" CHARGE WIRE	2/10/03
8	1	500054	3/4" CHARGE WIRE	2/10/03
9	1	500054	3/4" CHARGE WIRE	2/10/03
10	1	500054	3/4" CHARGE WIRE	2/10/03
11	1	500054	3/4" CHARGE WIRE	2/10/03
12	1	500054	3/4" CHARGE WIRE	2/10/03
13	1	500054	3/4" CHARGE WIRE	2/10/03
14	1	500054	3/4" CHARGE WIRE	2/10/03
15	1	500054	3/4" CHARGE WIRE	2/10/03
16	1	500054	3/4" CHARGE WIRE	2/10/03
17	1	500054	3/4" CHARGE WIRE	2/10/03

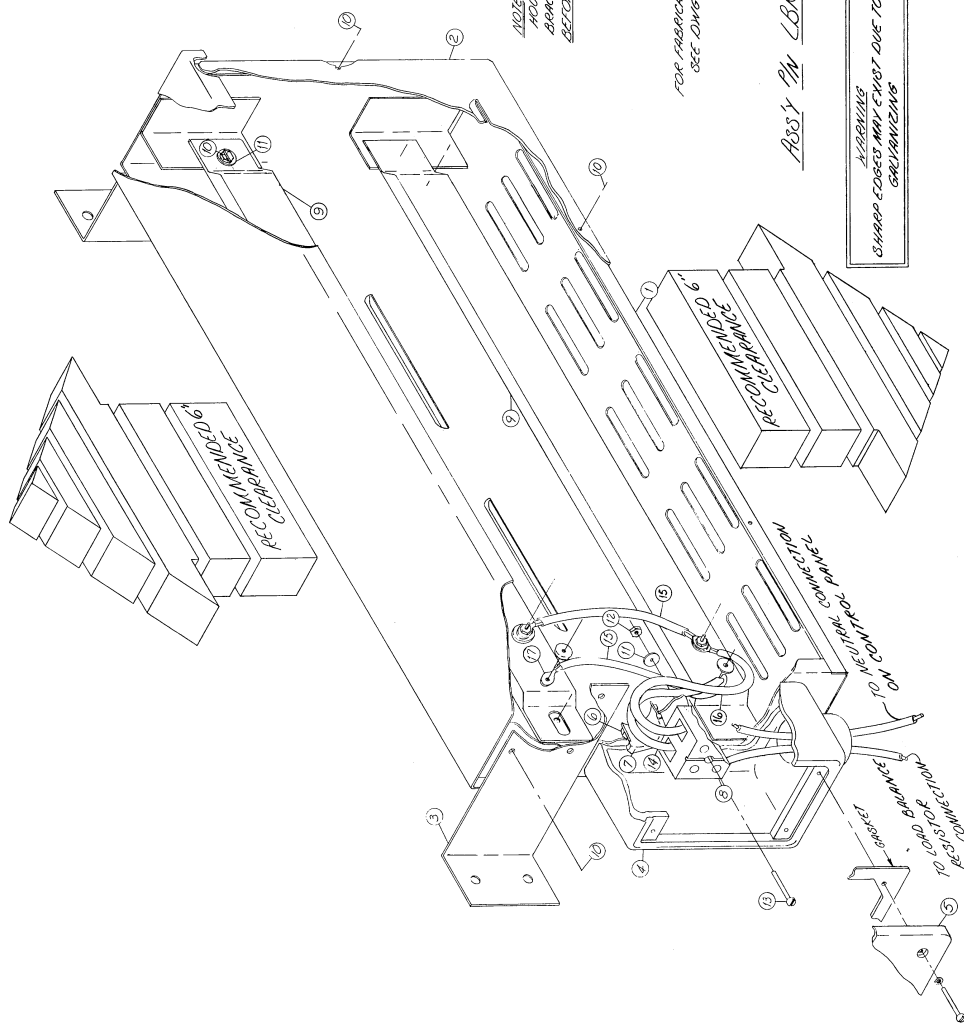
USE 3/16" WIRE
FOR ALL WIRE
AS SHOWN

NOTE: MOVING M/CU'S, VIA DETACHABLE
BARRETS ARE TO BE HOT-DIP GALVANIZED
BEFORE ASSEMBLY.

FOR FABRICATION NOTATIONS
SEE DWG. C81031

ASSY IN LBRR1200

SHARP EDGES MAY EXIST DUE TO
GALVANIZING



UNARCO-Rohm
UNARCO ELECTRONICS, INC.

DATE: 5-18-81
DRAWN BY: J. W. B. / J. W. B.
CHECKED BY: J. W. B. / J. W. B.
APPROVED BY: J. W. B. / J. W. B.

PROJECT: LOAD BALANCE REVISOR
ASSEMBLY DETAILS

REV: 1
REV: 2
REV: 3

DATE: 5-18-81
DRAWN BY: J. W. B. / J. W. B.
CHECKED BY: J. W. B. / J. W. B.
APPROVED BY: J. W. B. / J. W. B.

UNARCO-Rohm
UNARCO ELECTRONICS, INC.

DATE: 5-18-81
DRAWN BY: J. W. B. / J. W. B.
CHECKED BY: J. W. B. / J. W. B.
APPROVED BY: J. W. B. / J. W. B.