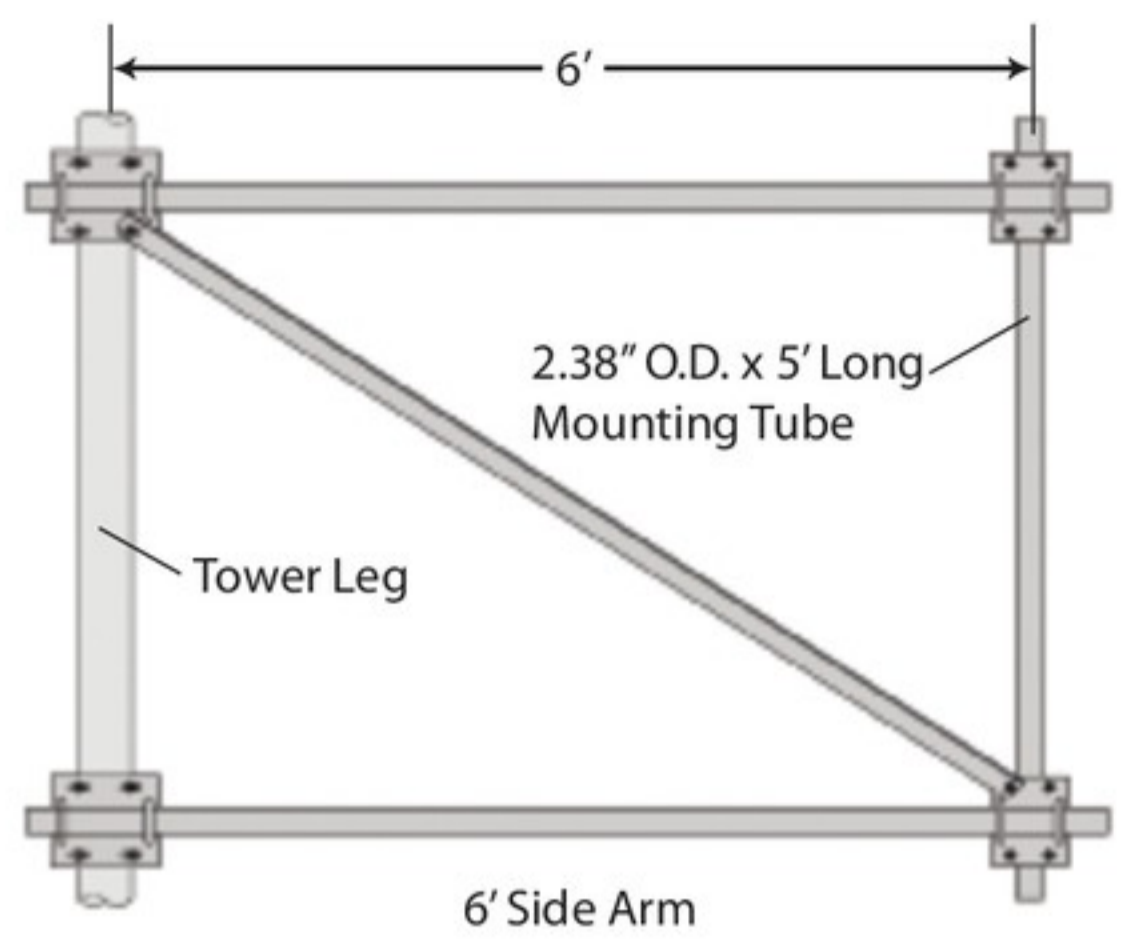
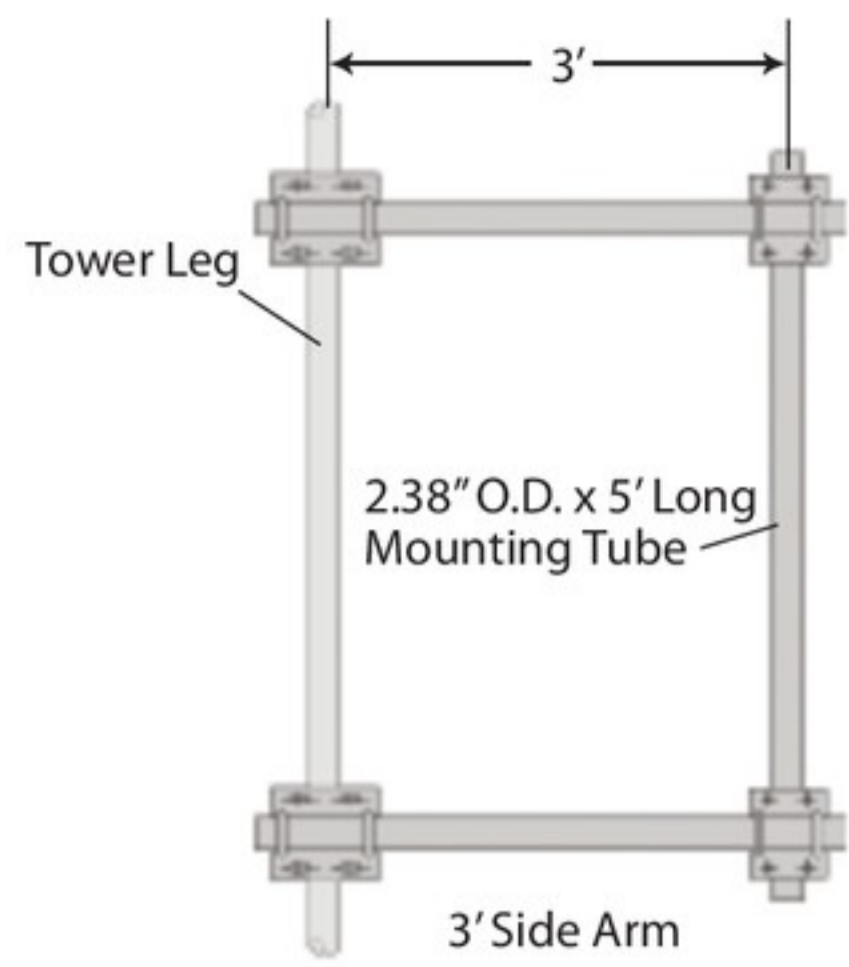


# TOWER & SITE ACCESSORIES





**3' AND 6' SIDE ARMS, STRAIGHT/TAPERED TOWER SECTIONS**



**UNIVERSAL KITS**

3' Side Arm	6' Side Arm	Tower Leg O.D.
SA324A	SA624A	2.38" - 4.50"
SA356A	SA656A	5.56" - 6.63"

**LEG SPECIFIC KITS**

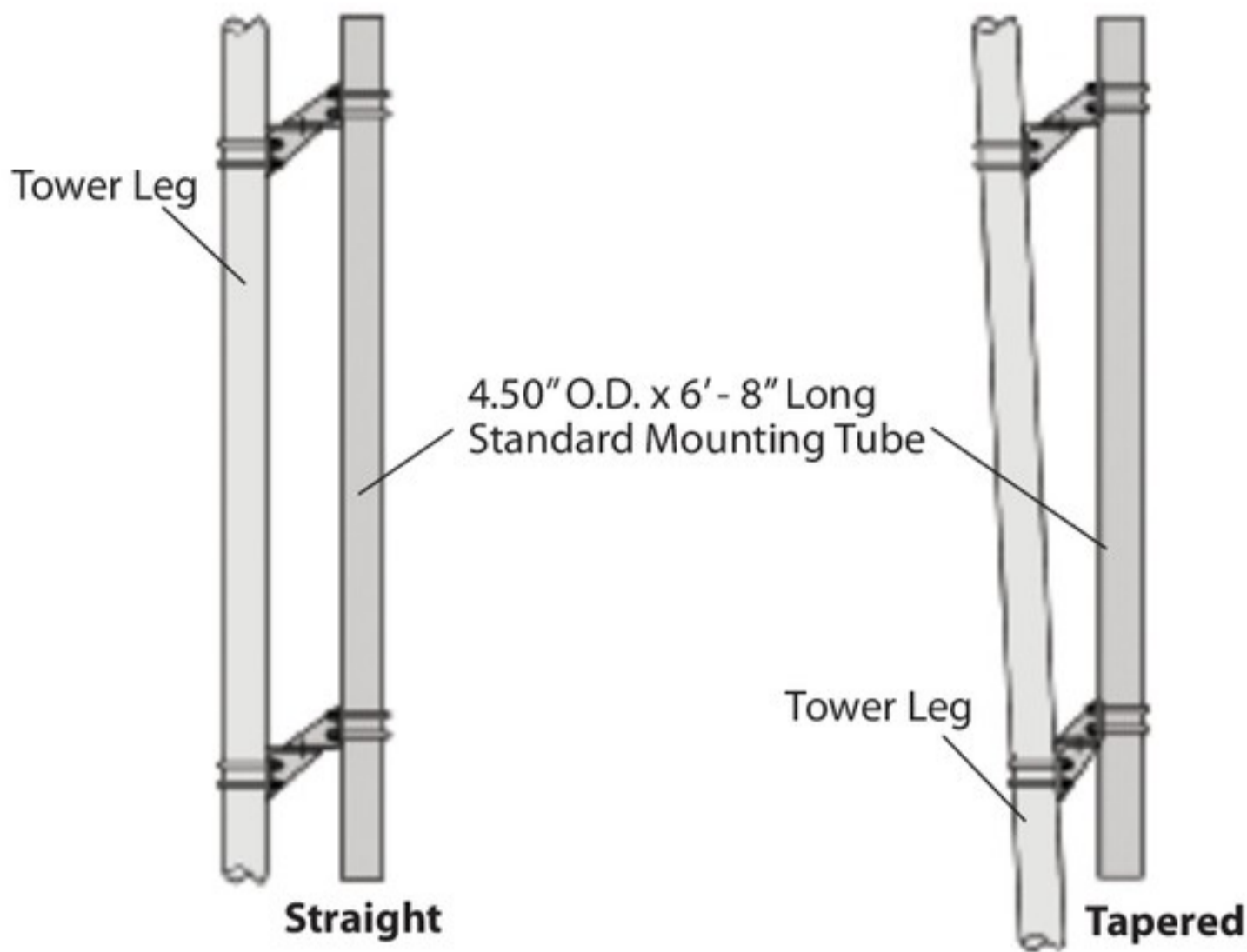
3' Side Arm	6' Side Arm	Tower Leg O.D.
SA32PL	SA62PL	2.38"
SA325PL	SA625PL	2.88"
SA33PL	SA63PL	3.50"
SA335PL	SA635PL	4.00"
SA34PL	SA64PL	4.50"
SA35PL	SA65PL	5.56"
SA36PL	SA66PL	6.63"
SA38PL	SA68PL	8.63"
SA310PL	SA610PL	10.75"
SA312PL	SA612PL	12.75"

**Notes:**

1. Standard tiebacks to the supporting structure are available for towers with 8.5 ft. or less face width.
2. To order tiebacks, include (1TB) for one or (2TB) for two after side arm assembly part number.
3. Custom side arms and tiebacks are available upon request.
4. Check for leg size to determine assembly number required.

*All side arms are hot-dip galvanized and include all hardware to attach mount to tower.*

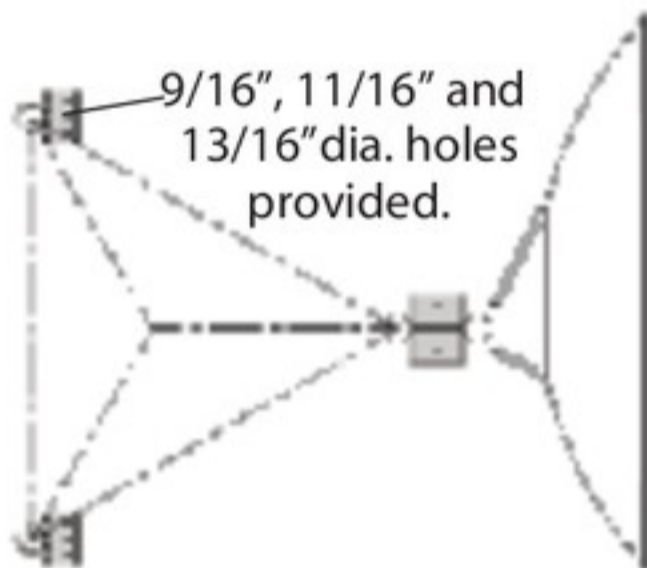
## LEG DISH MOUNTS



Straight Leg	
Part No.	Description
S24HUM	Fits leg sizes 2.38" O.D. - 4.50" O.D.
S56HUM	Fits leg sizes 5.50" O.D. - 6.63" O.D.

Tapered Leg	
Part No.	Description
T24HUM	Fits leg sizes 2.38" O.D. - 4.50" O.D.
T56HUM	Fits leg sizes 5.50" O.D. - 6.63" O.D.

## LEG TIE-BACK PLATE KIT



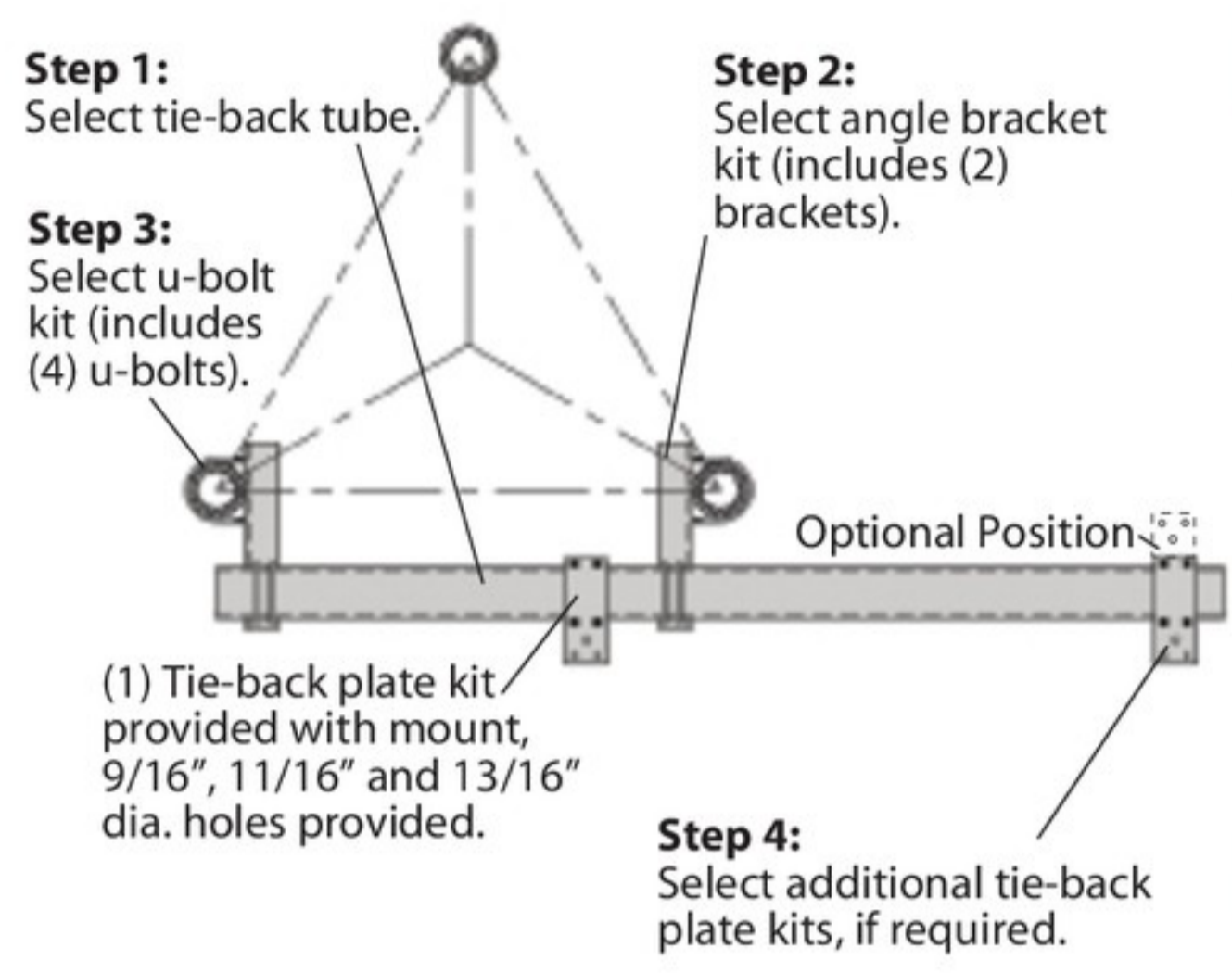
Part No.	Leg O.D.
VY1949A	2.38"
VY1950A	2.88"
VY1951A	3.50"
VY1952A	4.00"
VY1953A	4.50"
VY1954A	5.50"
VY1955A	6.63"

*Kits include (1) clip with u-bolts. Some dishes require (2) tie-backs.*



# TIE-BACK ASSEMBLIES

[Follow steps 1-4 to order]



**All mounts and tie-back assemblies are hot-dip galvanized and include all hardware to attach mount to tower.**

## Step 1. Select Tie-Back Tube Size & Length

TS 6" x 6" x 3/16"	
Part No.	Length
TMT6LL05	5'
TMT6LL06	6'
TMT6LL08	8'
TMT6LL10	10'
TMT6LL12	12'

TS 6" x 6" x 1/4"	
Part No.	Length
TMT6L05	5'
TMT6L06	6'
TMT6L08	8'
TMT6L10	10'
TMT6L12	12'

TS 6" x 6" x 3/8"	
Part No.	Length
TMT6H05	5'
TMT6H06	6'
TMT6H08	8'
TMT6H10	10'
TMT6H12	12'

## Step 2. Select Angle Bracket Kit

Based on leg O.D.

4" Tube	
Part No.	Leg O.D.
VY2911A	1.90" - 5.56"
VY2912A	6.63" - 8.63"

6" Tube	
Part No.	Leg O.D.
VY4457A	1.90" - 5.56"
VY4458A	6.63" - 8.63"
VY4459A	10.75" - 12.75"

## Step 3. Select U-Bolt Kit

Based on leg O.D.

Part No.	Leg O.D.
JR83AW4	1.90" - 2.38"
JR84AW4	2.88"
JR88AW4	3.50"
JR89AW4	4.00"
JR85AW4	4.50"
JR86AW4	5.56"
JR87AW4	6.63"
JR90SAW4	8.63"
JR110AW4	10.75"
JR120AW4	12.75"

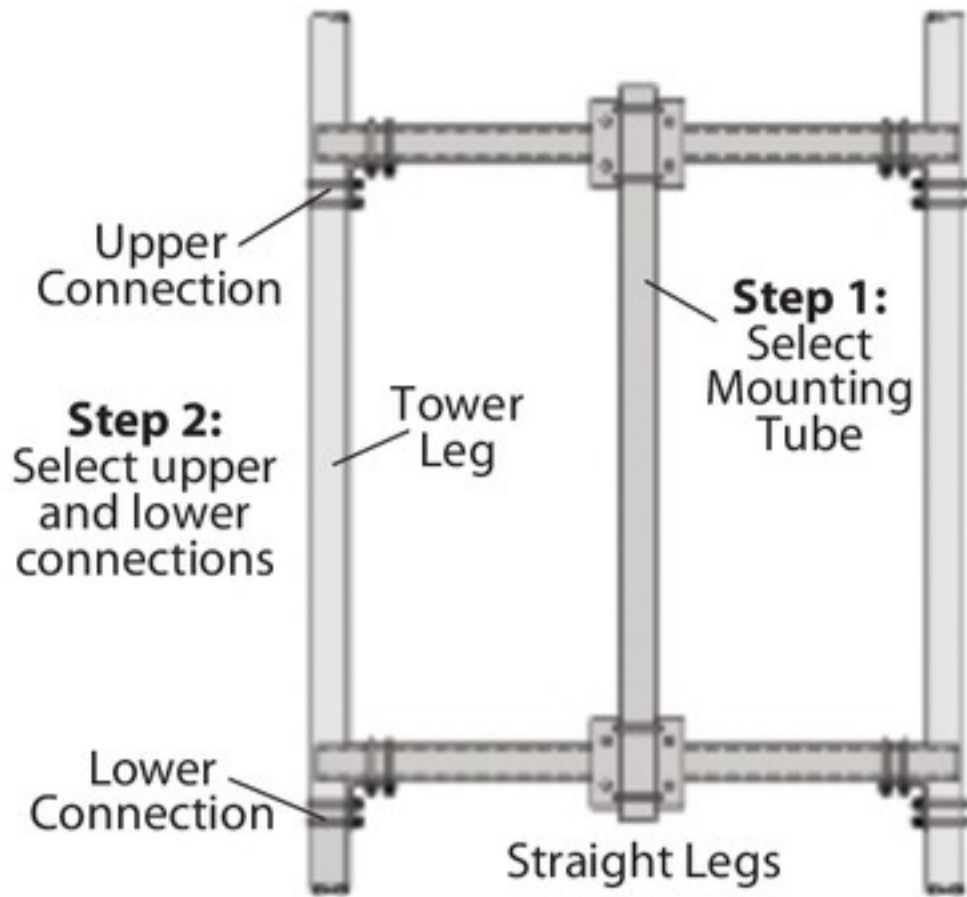
## Step 4. Select Additional Tie-Back Plate Kits (if required).

Part No.	Tube Size
AP34T4	4"
AP6T2	6"



# FACE DISH MOUNTS

[FOLLOW STEPS 1-3 TO ORDER]



## ORDERING INFORMATION:

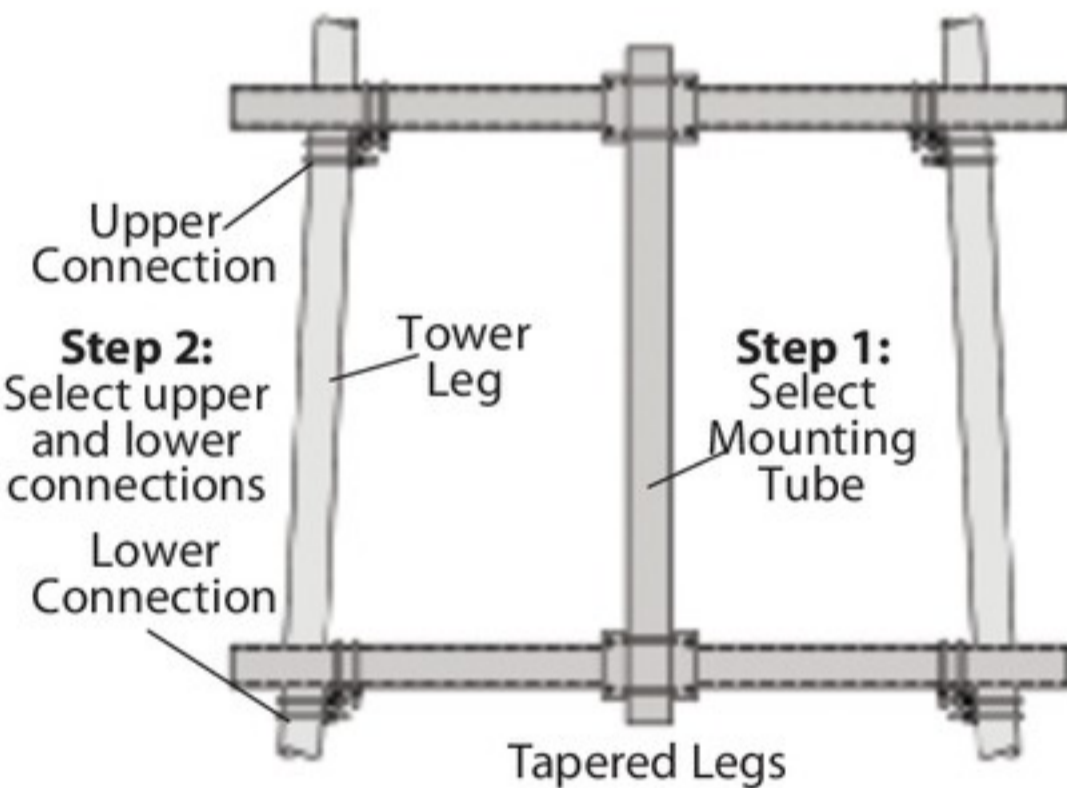
**Step 1. Select Mounting Tube Length** (4.50" O.D. x 0.237" wall)

Straight Leg	
Part No.	Tube Description
DMF4T050S	4.50" O.D. x 5'
DMF4T068S	4.50" O.D. x 6.67'
DMF4T100S	4.50" O.D. x 10'

Tapered Leg	
Part No.	Tube Description
DMF4T050T	4.50" O.D. x 5'
DMF4T068T	4.50" O.D. x 6.67'
DMF4T100T	4.50" O.D. x 10'

## Step 2. Select Upper and Lower Connections

*Because leg O.D. may be different at upper and lower connections, select one part number for upper and one part number for lower.*

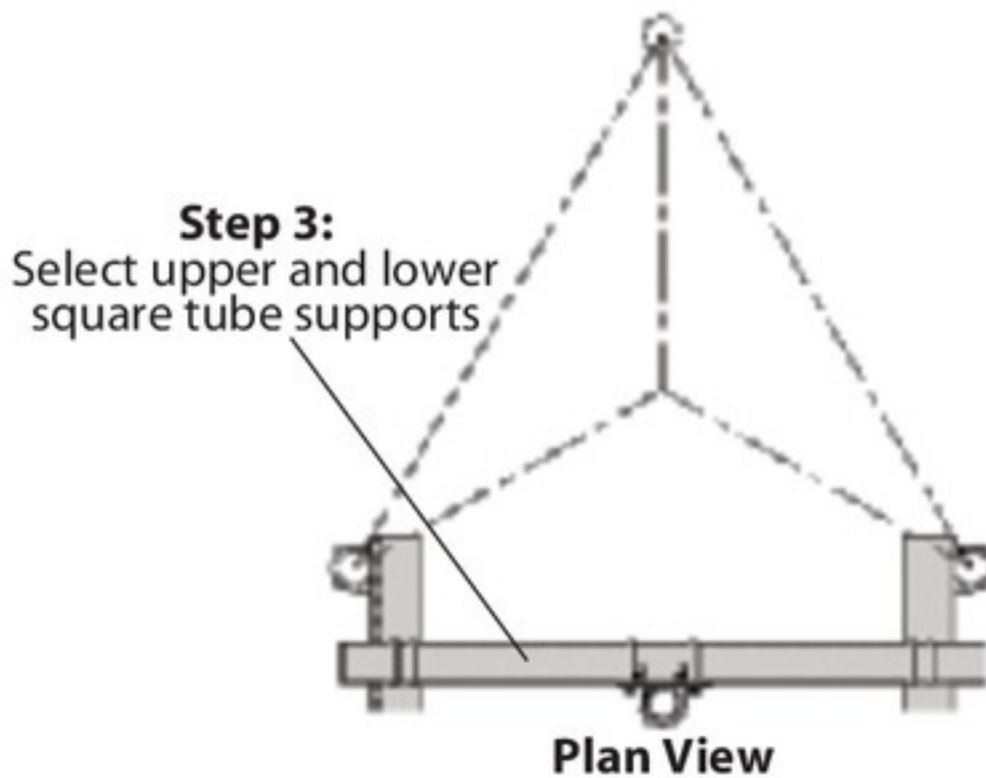


Straight or Tapered Legs	
Part No.	Leg O.D.
JR83AW4	1.90" - 2.38"
JR84AW4	2.88"
JR88AW4	3.50"
JR89AW4	4.00"
JR85AW4	4.50"
JR86AW4	5.56"

(2) Brackets are included with each kit.

## Step 3. Select Square Tube Supports

*Based on required strength and length. Select (1) part number for upper support and (1) part number for lower support.*

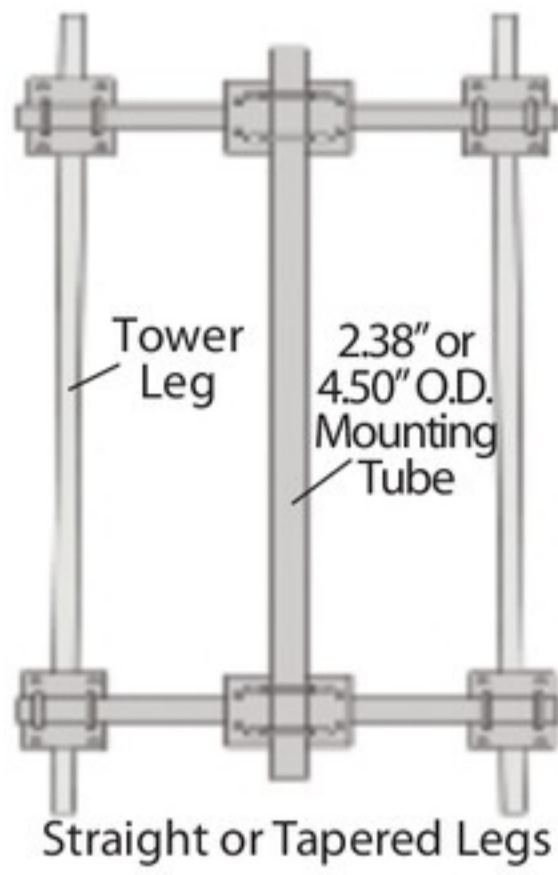


4" x 4" x 11GA	
Part No.	Length
TMT4L05	5'
TMT4L06	6'
TMT4L08	8'
TMT4L10	10'

4" x 4" x .25"	
Part No.	Length
TMT4H05	5'
TMT4H06	6'
TMT4H08	8'
TMT4H10	10'

4" x 4" x .375"	
Part No.	Length
TMT4XH05	5'
TMT4XH06	6'
TMT4XH08	8'
TMT4XH10	10'

## FACE MOUNT KITS



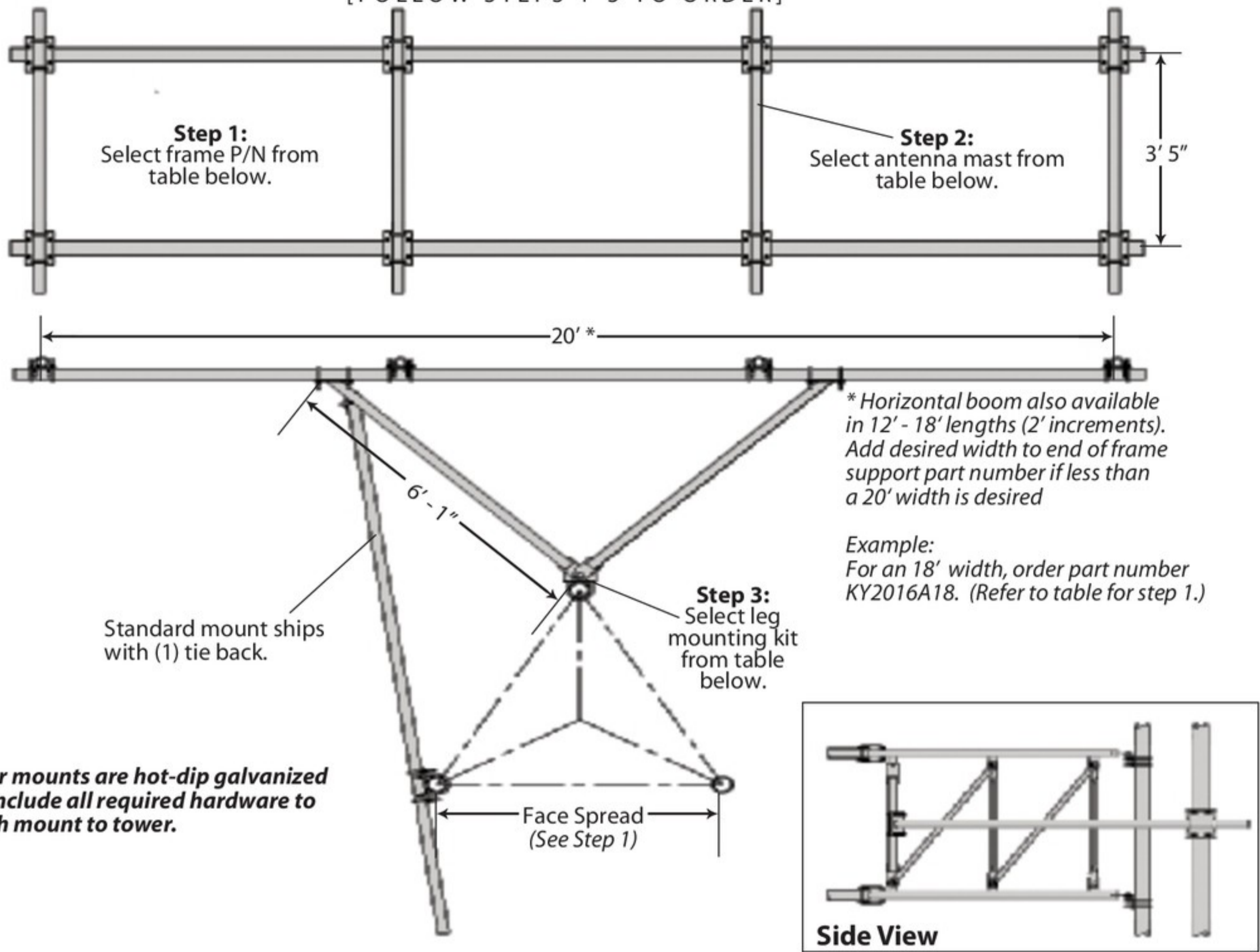
LIGHTWEIGHT FACE MOUNT KITS  
 FITS MIN. FACE WIDTH 18" TO MAX. FACE WIDTH 30",  
 LEG SIZES 1" TO 1 3/4" O.D.

Part No.	Mounting Tube
FM35NU2	2.38" O.D. x 0.154" wall x 5' Long
FM35NU4	4.50" O.D. x 0.237" wall x 5' Long

**Face dish mounts are hot-dip galvanized and include all required hardware to attach mount to tower.**



### SECTOR MOUNT [FOLLOW STEPS 1-3 TO ORDER]



### SECTOR MOUNT ORDERING INFORMATION (Qty. is for (1) sector only)

**Step 1. Select frame P/N based on tower face spread.**

Frame Support Assembly Straight Leg	
Part No.	Face Spread
KY2016A	8' Max.
KY1993A	8' Min. - 14' Max.

Frame Support Assembly Tapered Leg	
Part No.	Face Spread
KY2006A	8' Max.
KY2015A	8' Min. - 14' Max.

**Step 2. Select antenna mast kits (2 min.) (1) Kit per mast tube**

Antenna Mast Kit	
Part No.	Mast
VY4935A	2.38" O.D. (0.154" wall) x 5' Long
VY4935A8	2.38" O.D. (0.218" wall) x 8' Long

**Step 3. Select leg mounting kit.**

Leg Mounting Kit Straight Leg	
Part No.	Leg O.D.
KY1994A	2.38" O.D.
KY1995A	2.88" O.D.
KY1996A	3.50" O.D.
KY1997A	4.00" O.D.
KY1998A	4.50" O.D.
KY1999A	5.56" O.D.
KY2000A	6.63" O.D.
KY2001A	8.63" O.D.

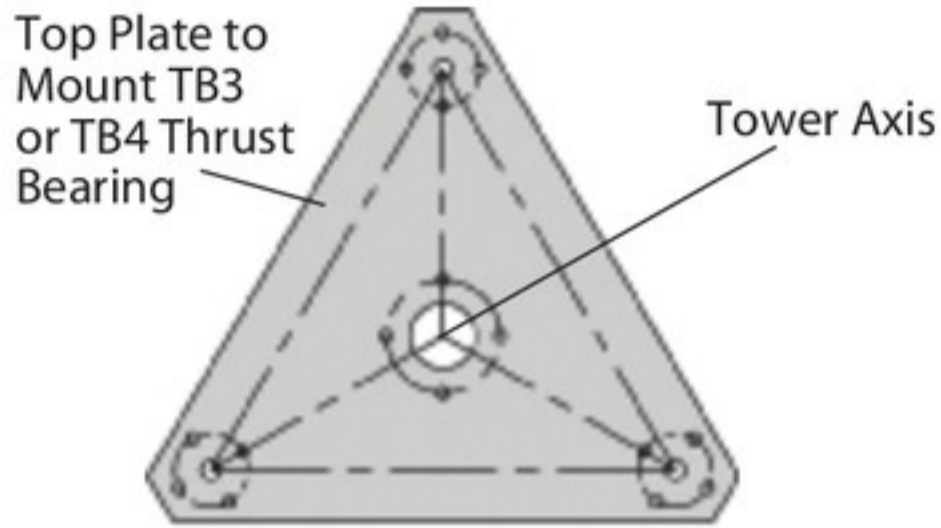
Leg Mounting Kit Tapered Leg	
Part No.	Leg O.D.
KY2007A	2.38" O.D.
KY2008A	2.88" O.D.
KY2009A	3.50" O.D.
KY2010A	4.00" O.D.
KY2011A	4.50" O.D.
KY2012A	5.56" O.D.
KY2013A	6.63" O.D.
KY2014A	8.63" O.D.



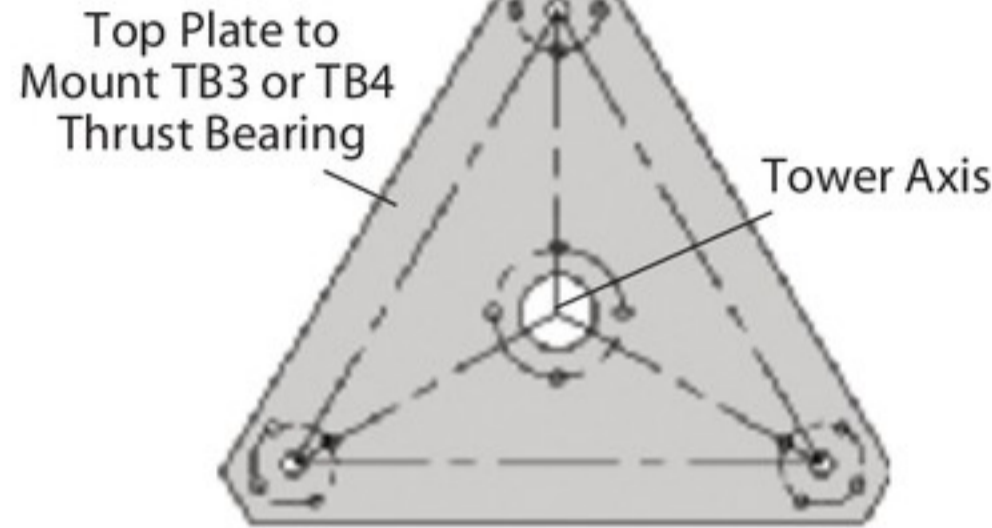
## ROTOR PLATE ASSEMBLIES FOR ROHN STANDARD SELF-SUPPORTING TOWERS

Rotor plate accessories are hot-dip galvanized and include all required hardware to attach assemblies to tower.

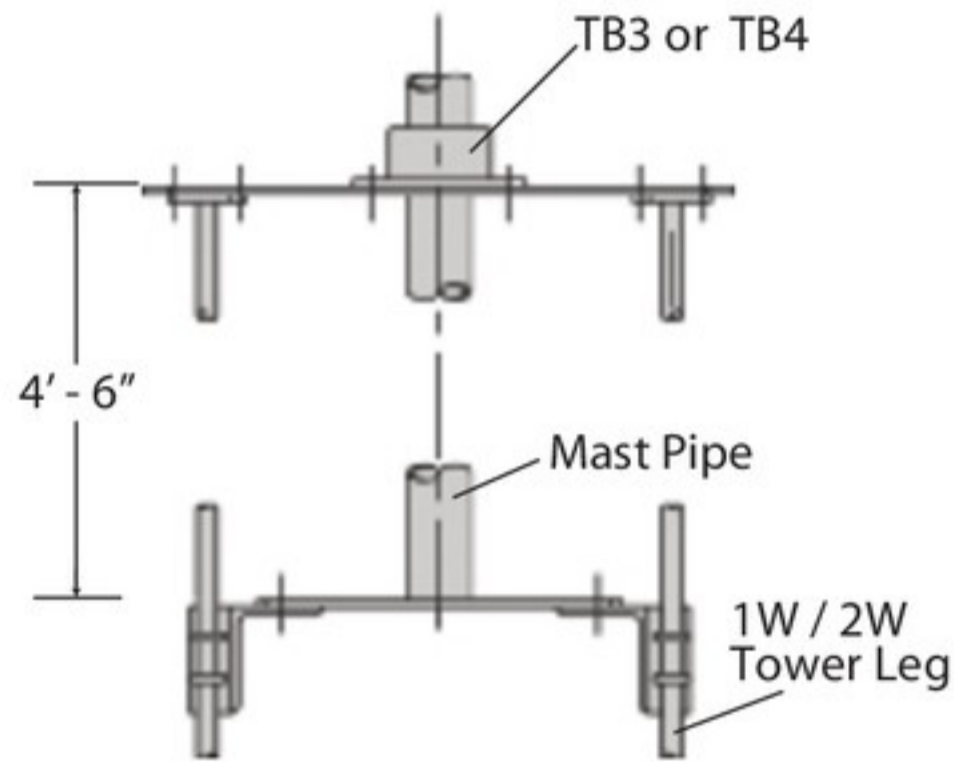
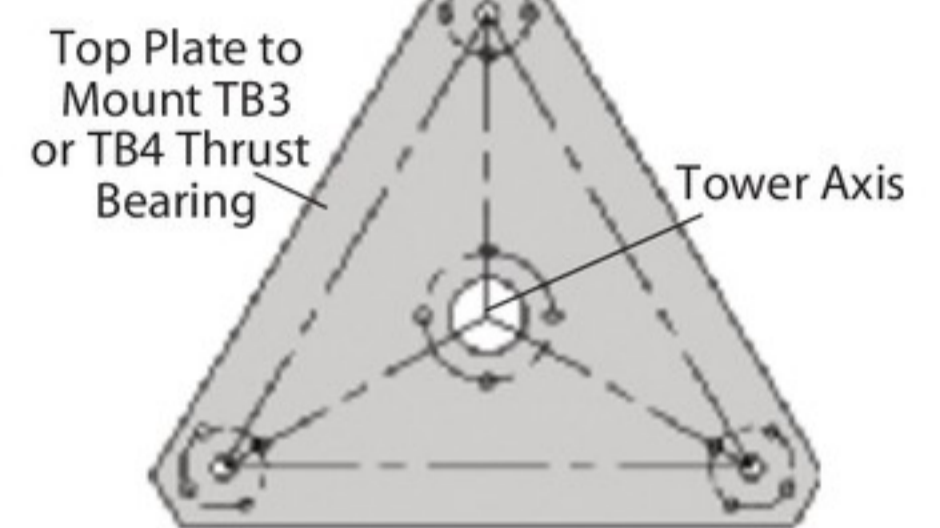
1W / 2W



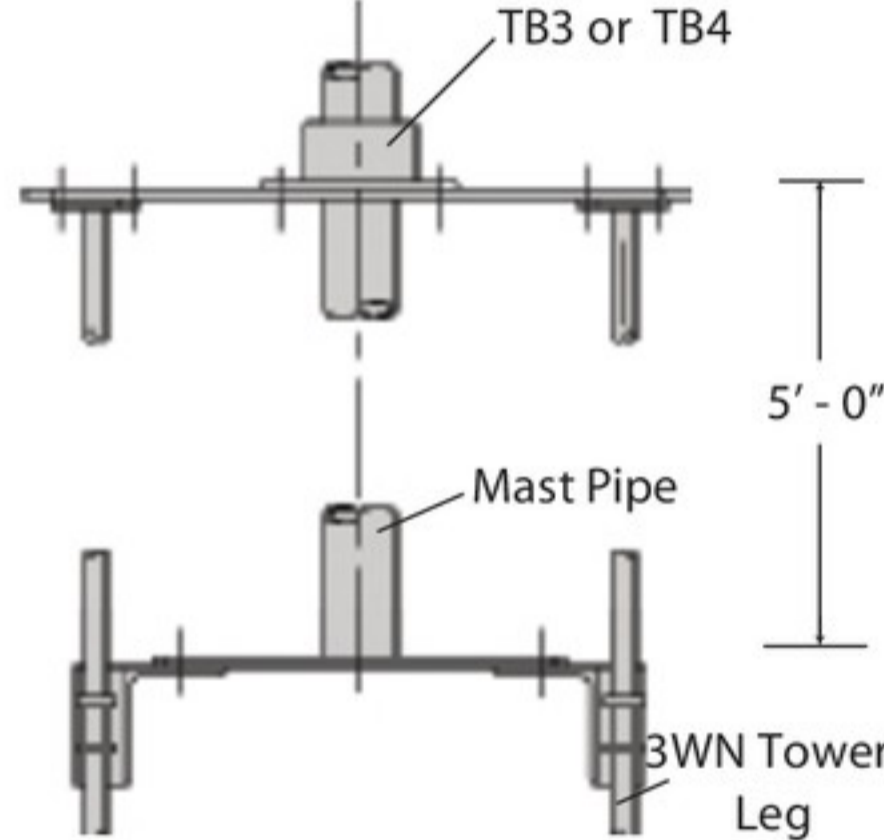
3WN



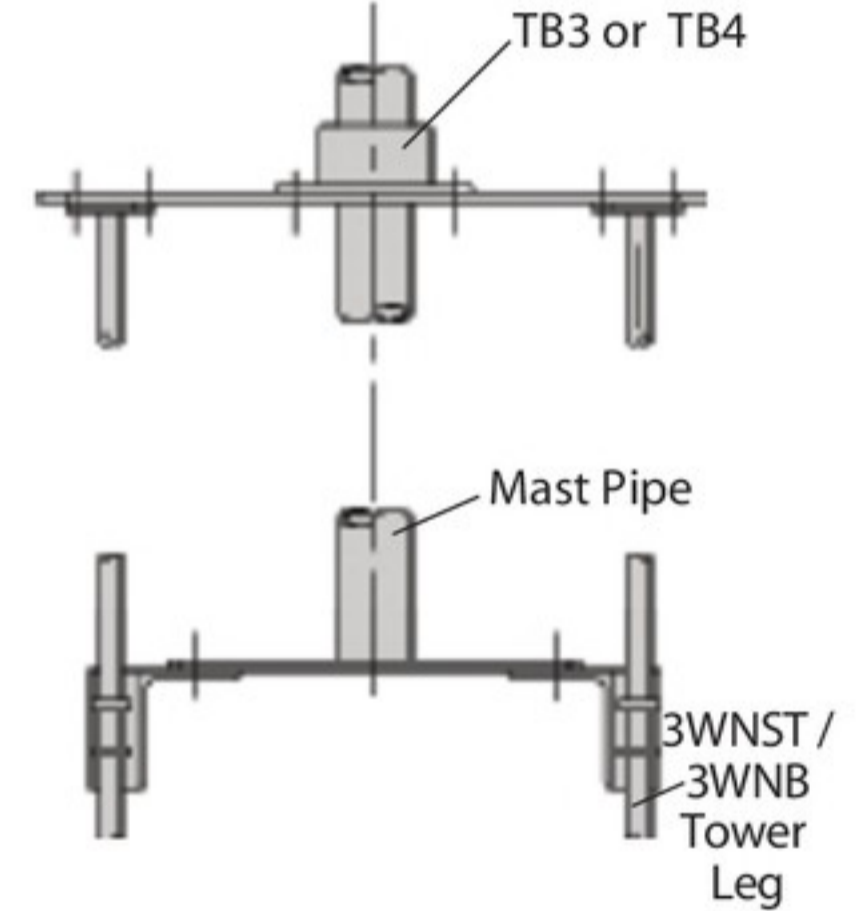
3WNST / 3WNB



P/N: VU479A



P/N: VU474A



P/N: VU140

**NOTES:**

1. All plates are 3/8" thick
2. Rotor top plates are pre-drilled to fit a variety of rotors.
3. Rotor plate assembly includes top plate and rotor plate.
4. Mast pipe, rotor and thrust bearing must be ordered separately.



## SAFETY & CLIMBING G-SERIES TOWERS | POLES

### SAFETY CABLE - TOWERS

Description	Part Number
50' - 25G tower	TT05025
100' - 25G tower	TT10025
150' - 25G tower	TT15025
200' - 25G tower	TT20025

Description	Part Number
50' - 45G/55G tower	TT0504555
100' - 45G/55G tower	TT1004555
150' - 45G/55G tower	TT1504555
200' - 45G/55G tower	TT2004555
250' - 45G/55G tower	TT2504555
300' - 45G/55G tower	TT3004555
350' - 45G/55G tower	TT3504555

Description	Part Number
50' - 65G tower	TT05065
100' - 65G tower	TT10065
150' - 65G tower	TT15065
200' - 65G tower	TT20065
250' - 65G tower	TT25065
300' - 65G tower	TT30065
350' - 65G tower	TT35065
400' - 65G tower	TT40065
450' - 65G tower	TT45065
500' - 65G tower	TT50065

### SAFETY CABLE - POLES

Description	Part No.	Cable (ft.)	# Guides
25' - Pole	TT025TSP	35	1
50' - Pole	TT050TSP	60	2
100' - Pole	TT100TSP	110	4
150' - Pole	TT150TSP	160	6
200' - Pole	TT200TSP	210	8
250' - Pole	TT250TSP	260	10
Step Anchor Bracket	TTSBAB	-	-
Additional 4" Stud Cable Guide	TT115317-4	-	-

### HARNESS & SLIDER

Description	Part Number
4-D Ring Climbing Harness	TTFBH-4D
Professional Harness	TTFBH-C/P
Safety Cable Slider	TT-WG-500-W/SMC



Climbing Harness



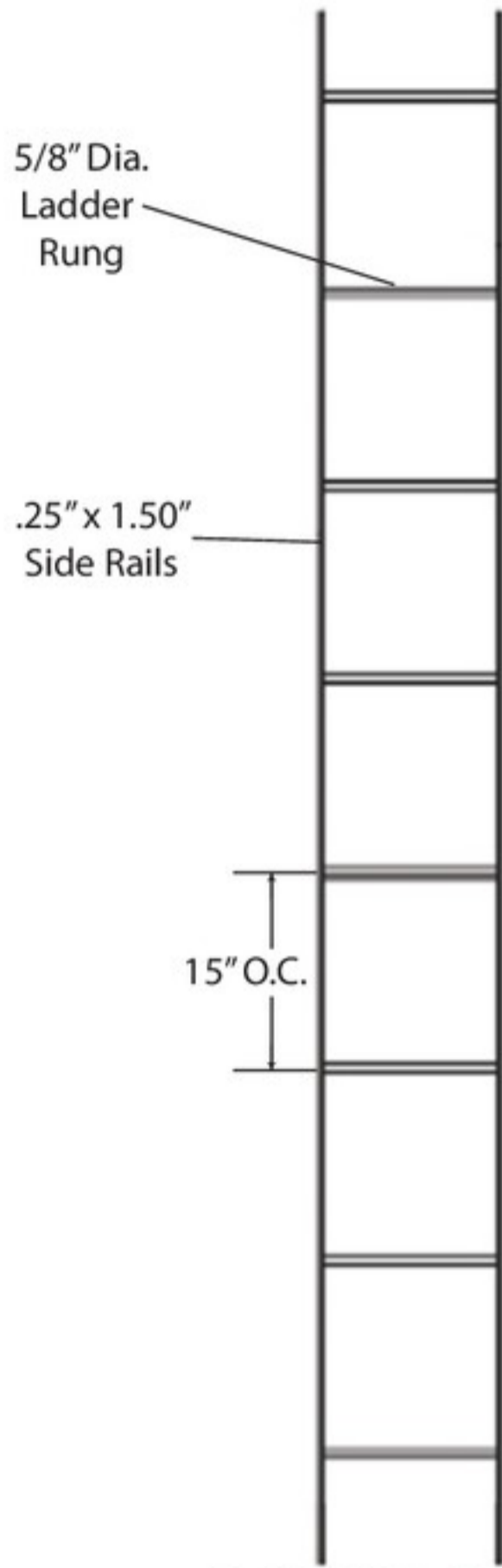
Safety Cable Slider with Carabiner

### SAFETY CABLE SYSTEM FOR CLIMBING LADDERS - TOWERS

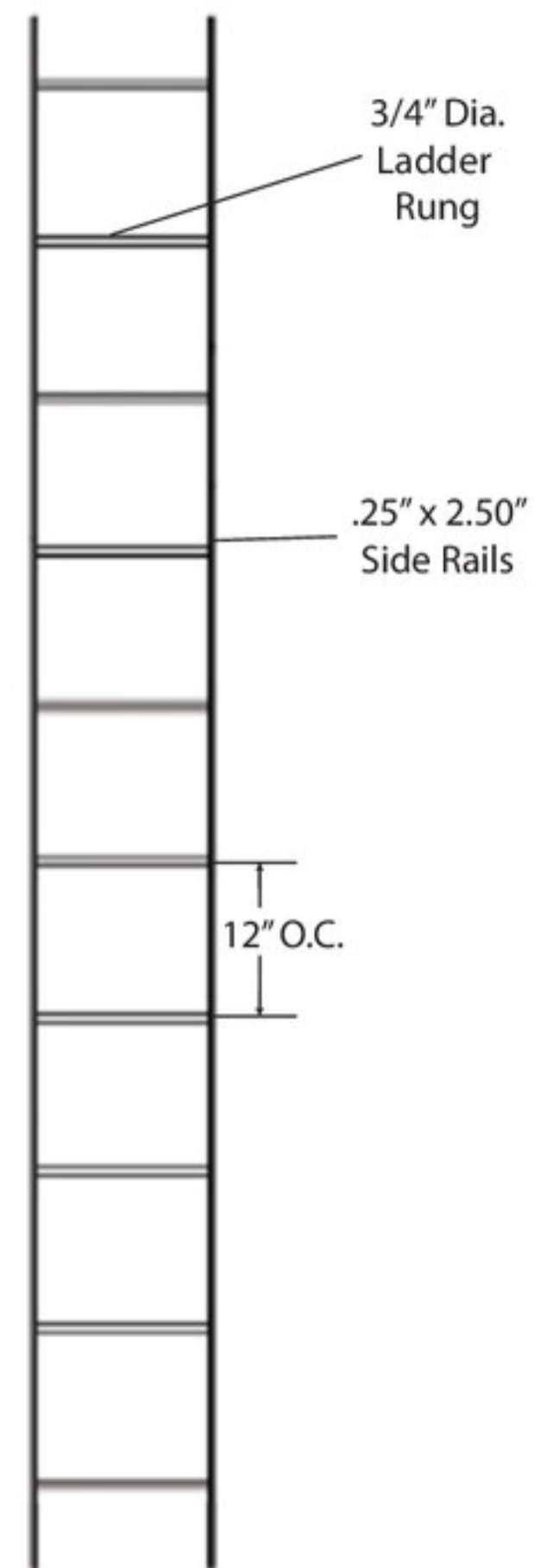
Description	Part Number
50' Climbing Ladder	TT050LAD
100' Climbing Ladder	TT100LAD
150' Climbing Ladder	TT150LAD
200' Climbing Ladder	TT200LAD
250' Climbing Ladder	TT250LAD
300' Climbing Ladder	TT300LAD



**CLIMBING LADDERS**



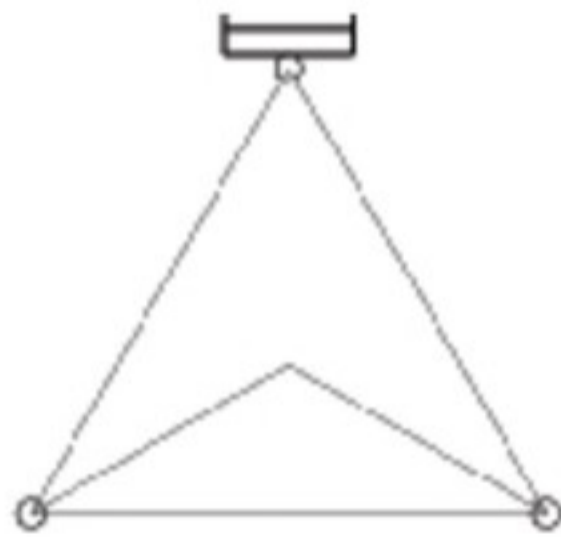
**STANDARD LADDER**  
**NL10** - 10' ladder  
**NL20** - 20' ladder



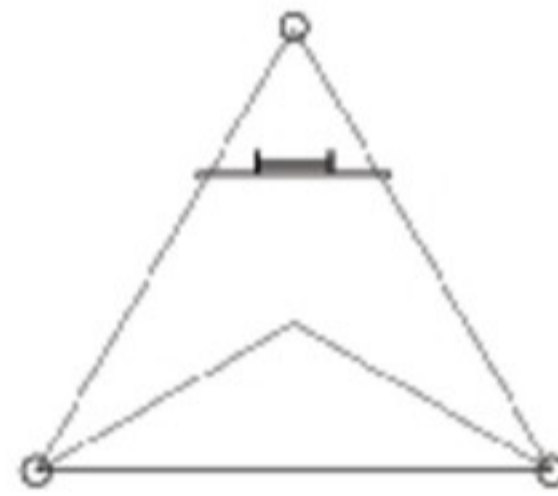
**HEAVY DUTY LADDER**  
**HL161A** - 10' ladder  
**HL162A** - 20' ladder

Part number for ladder section only. Mounting kit must be ordered separately.

**CONFIGURATIONS**



**Leg Mounted**



**Inside Corner Mounted**



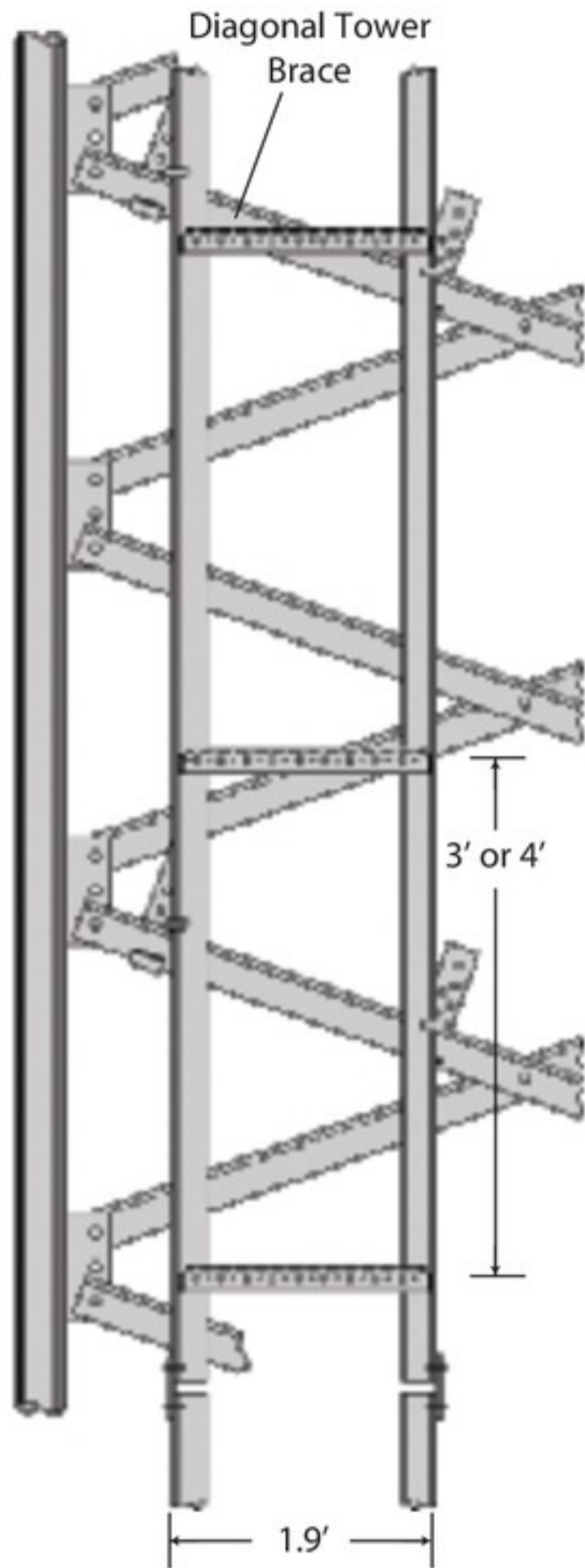
**Face Mounted**

**Notes:**

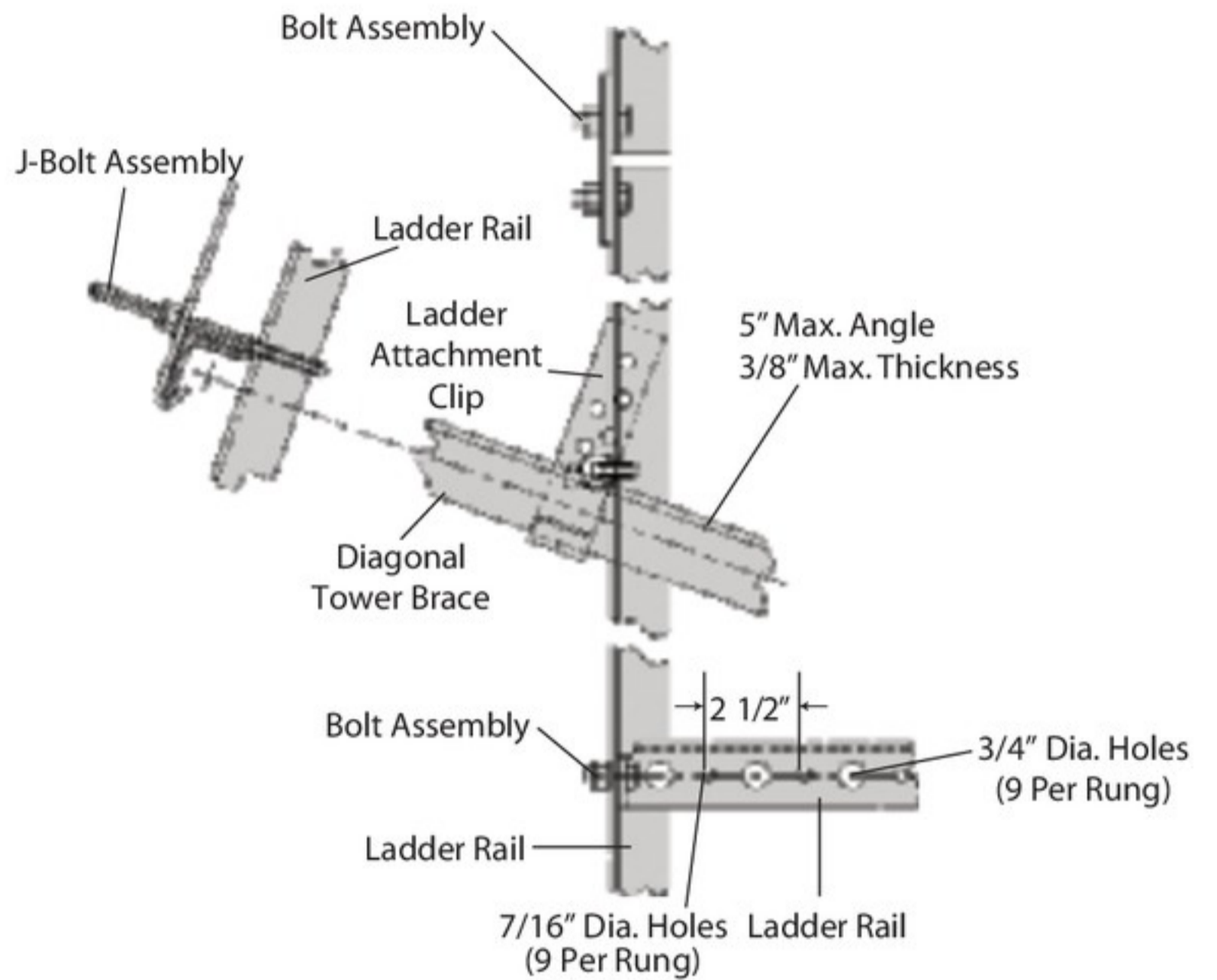
1. Ladders are available for most ROHN standard tower sections.
2. All ROHN climbing devices are intended for use by professional (competent climbers) only.
3. Specify ladder type and configuration when ordering.
4. Custom configurations and mounting options available.
5. A safety climb system is required for all structures greater than 10' in height.



# WAVEGUIDE LADDER FACE MOUNTED 9-HOLE



**Waveguide Ladder Elevation**



**ORDERING INFORMATION**

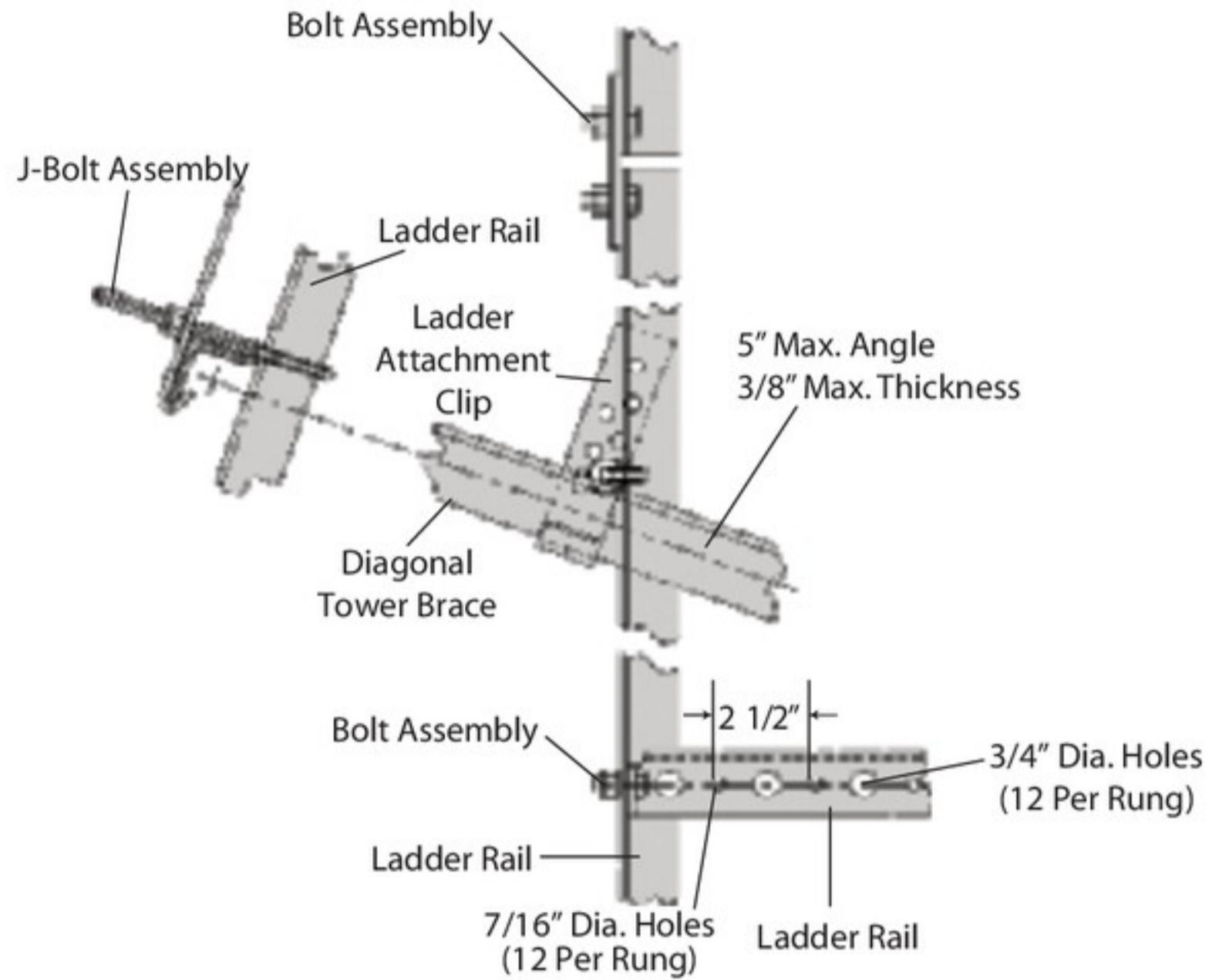
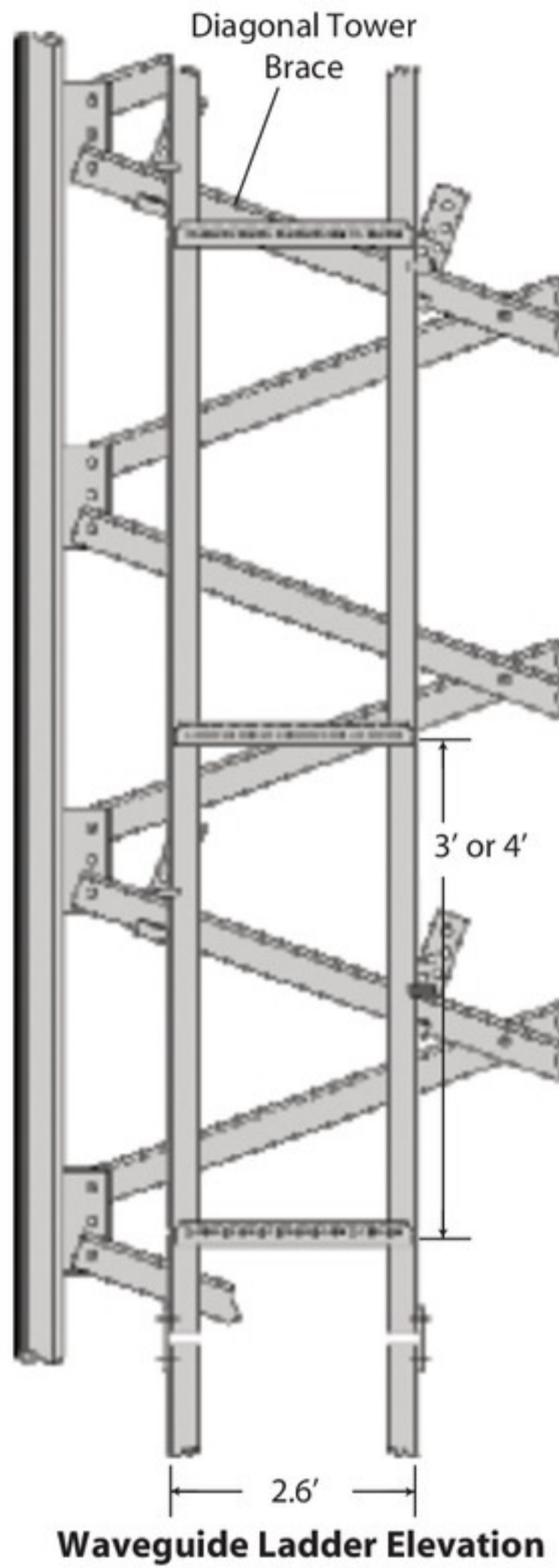
- WL20F93KD**  
20' Long Waveguide Ladder (3' rung spacing)
- WL20F94KD**  
20' Long Waveguide Ladder (4' rung spacing)
- WL10F93KD**  
10' Long Waveguide Ladder (3' rung spacing)
- WL10F94KD**  
10' Long Waveguide Ladder (4' rung spacing)

**Notes:**

1. Waveguide ladder may be moved horizontally for the proper alignment.
2. Waveguide ladder may be mounted inside or outside of tower as required.



# WAVEGUIDE LADDER FACE MOUNTED 12-HOLE



### ORDERING INFORMATION

**WL20F123KD**

20' Long Waveguide Ladder (3' rung spacing)

**WL20F124KD**

20' Long Waveguide Ladder (4' rung spacing)

**WL10F123KD**

10' Long Waveguide Ladder (3' rung spacing)

**WL10F124KD**

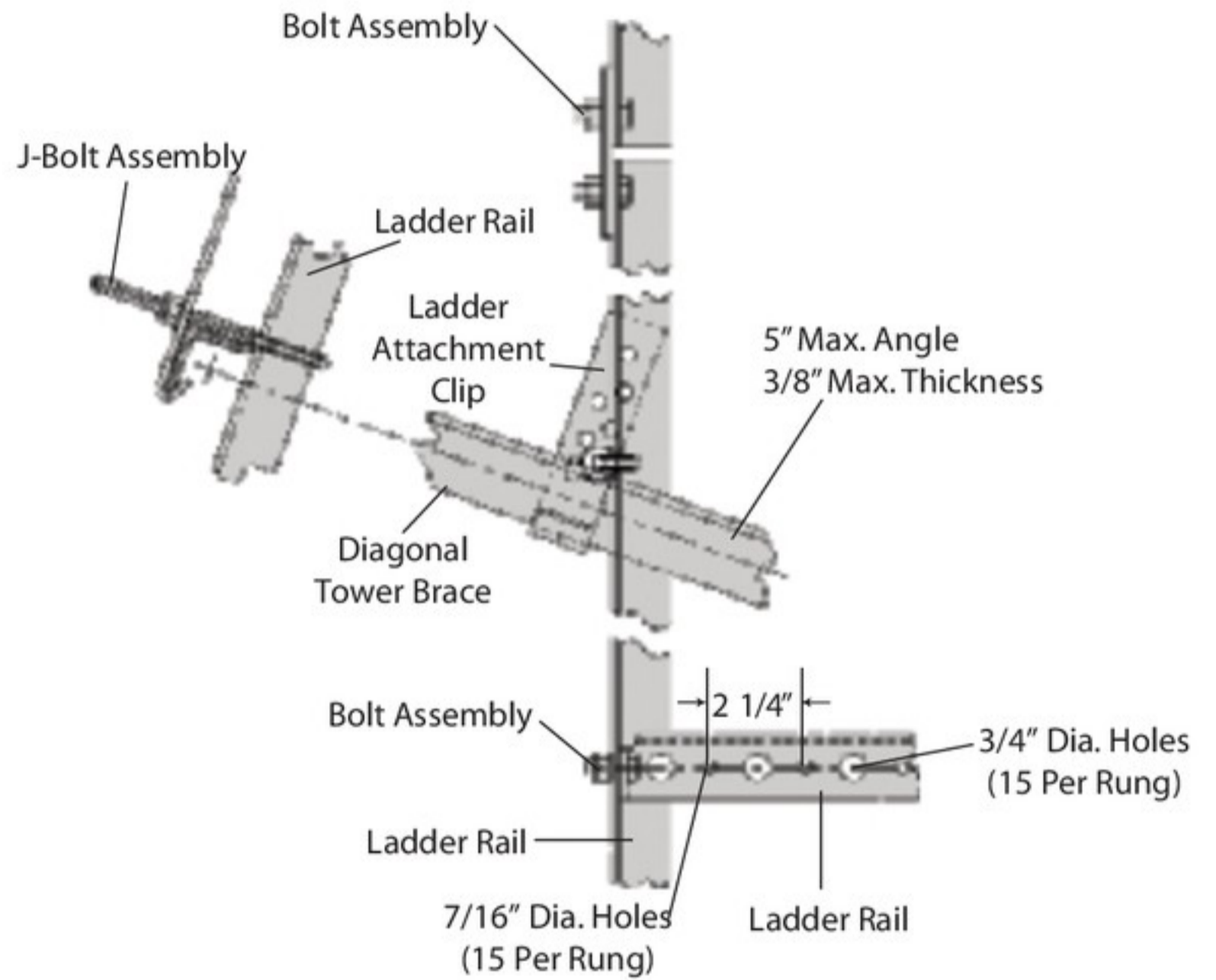
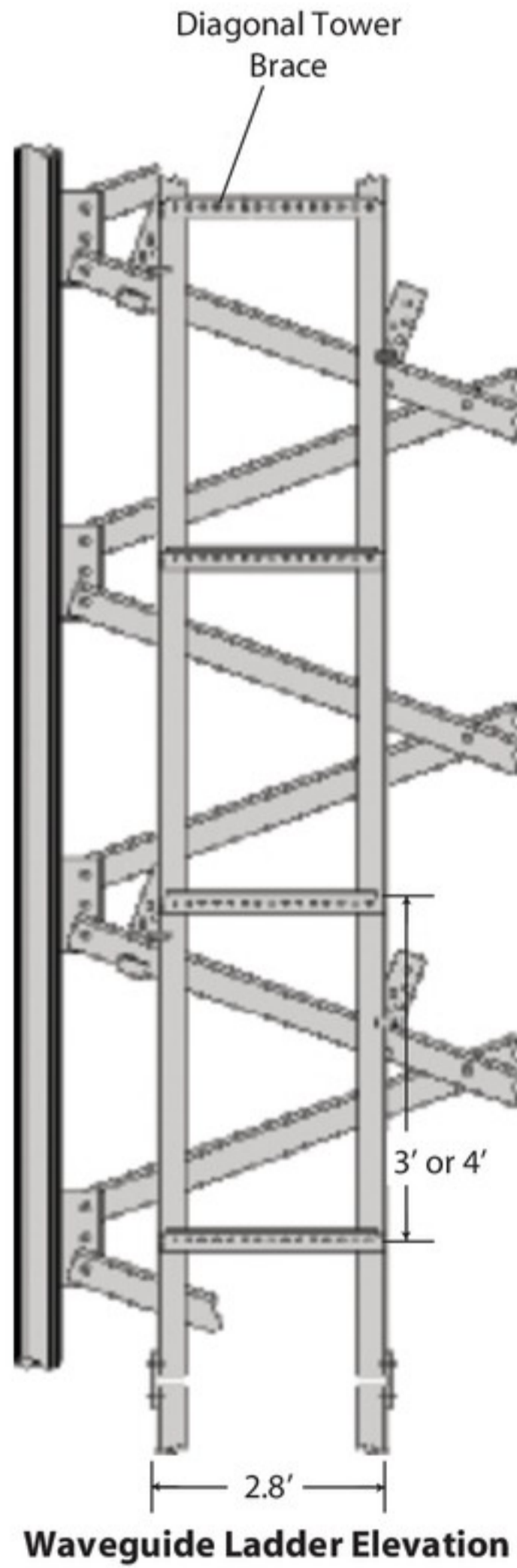
10' Long Waveguide Ladder (4' rung spacing)

**Notes:**

1. Waveguide ladder may be moved horizontally for the proper alignment.
2. Waveguide ladder may be mounted inside or outside of tower as required.



# WAVEGUIDE LADDER FACE MOUNTED 15-HOLE



**ORDERING INFORMATION**

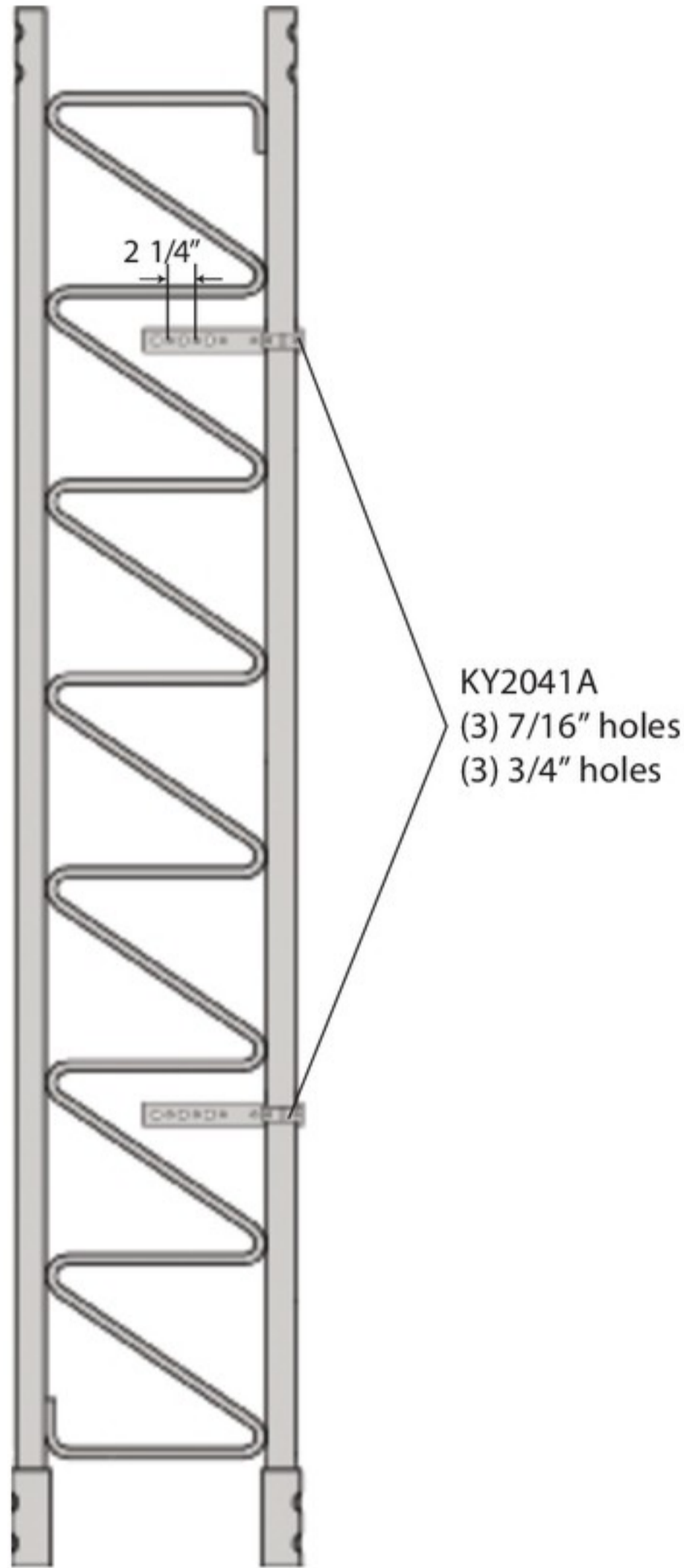
- WL20F153KD**  
20' Long Waveguide Ladder (3' rung spacing)
- WL20F154KD**  
20' Long Waveguide Ladder (4' rung spacing)
- WL10F153KD**  
10' Long Waveguide Ladder (3' rung spacing)
- WL10F154KD**  
10' Long Waveguide Ladder (4' rung spacing)

**Notes:**

1. Waveguide ladder may be moved horizontally for the proper alignment.
2. Waveguide ladder may be mounted inside or outside of tower as required.



# WAVEGUIDE BRACKETS 3-HOLE



Waveguide Bracket Elevation

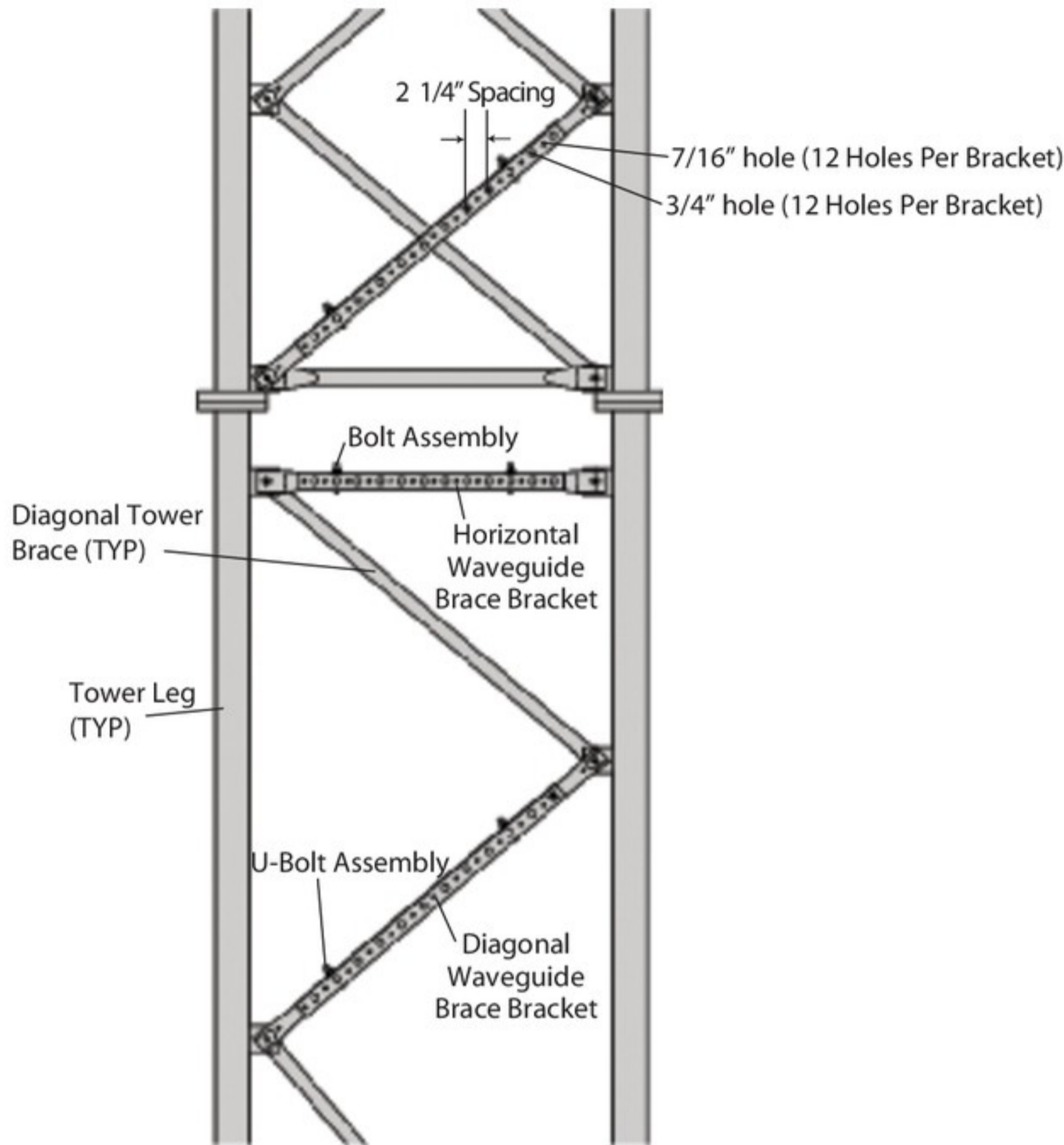
**ORDERING INFORMATION**  
**KY2041A**

**Notes:**

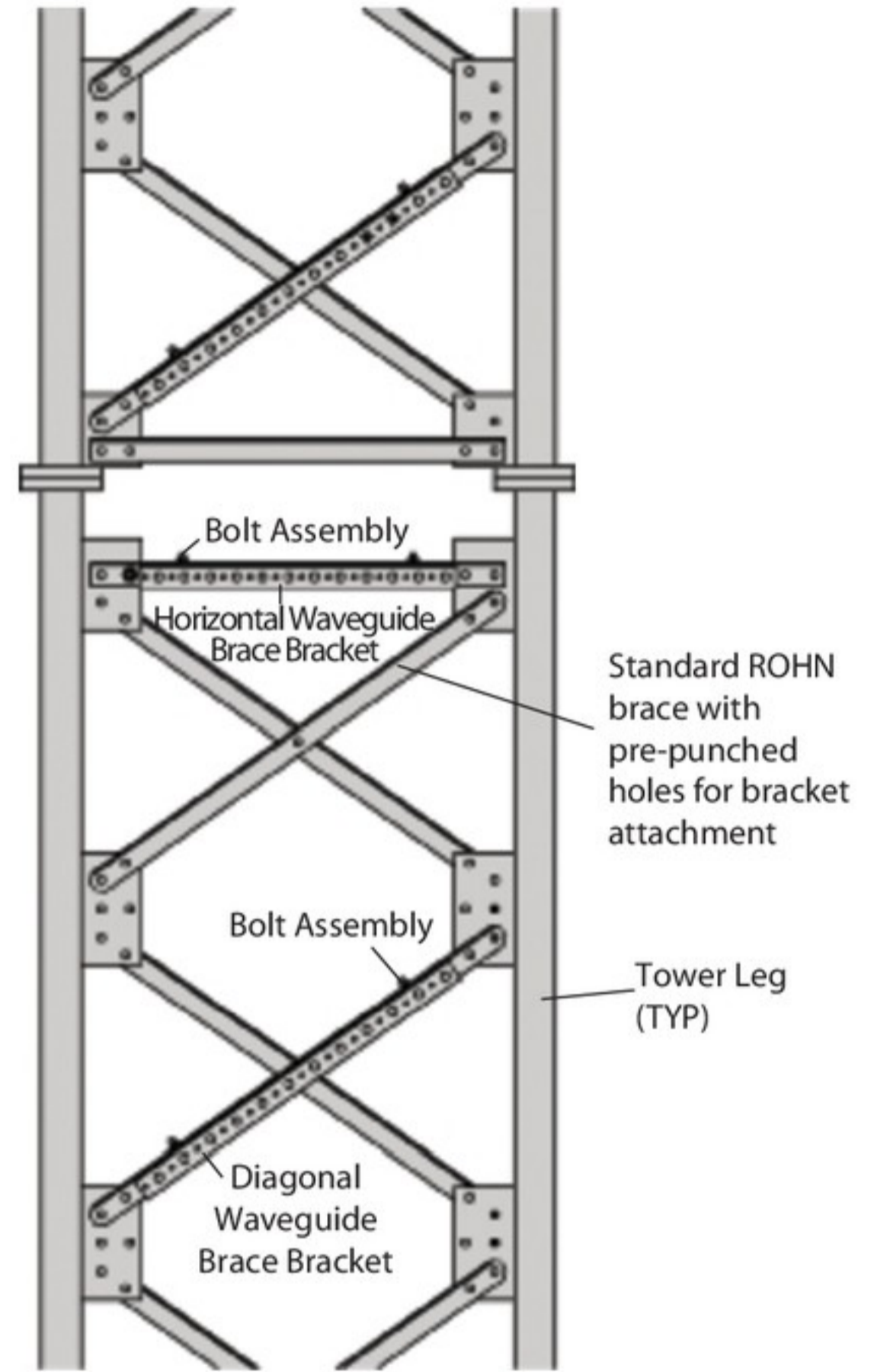
- 1. Kit includes (1) bracket with required mounting hardware.
- 2. Assembly used for mounting to 3/4" - 2 1/4" O.D. legs.
- 3. (5) KY2041A required per 20' of tower for 4' O.C. spacing.



# WAVEGUIDE BRACKETS 12-HOLE (80 SERIES)



**Tubular Bracing**  
1 1/2" Diameter



**Angle Bracing**  
1 3/4" x 3/16"  
2" x 1/4"

**ORDERING INFORMATION**

**WAF801211**  
(Horizontals)  
Order 1 per 15' or 20' section

**WAF801212**  
(Diagonals)  
Order 3 per 15' section  
Order 4 per 20' section

**ORDERING INFORMATION**

**WAF801213**  
(Horizontals)  
Order 1 per 15' or 20' section

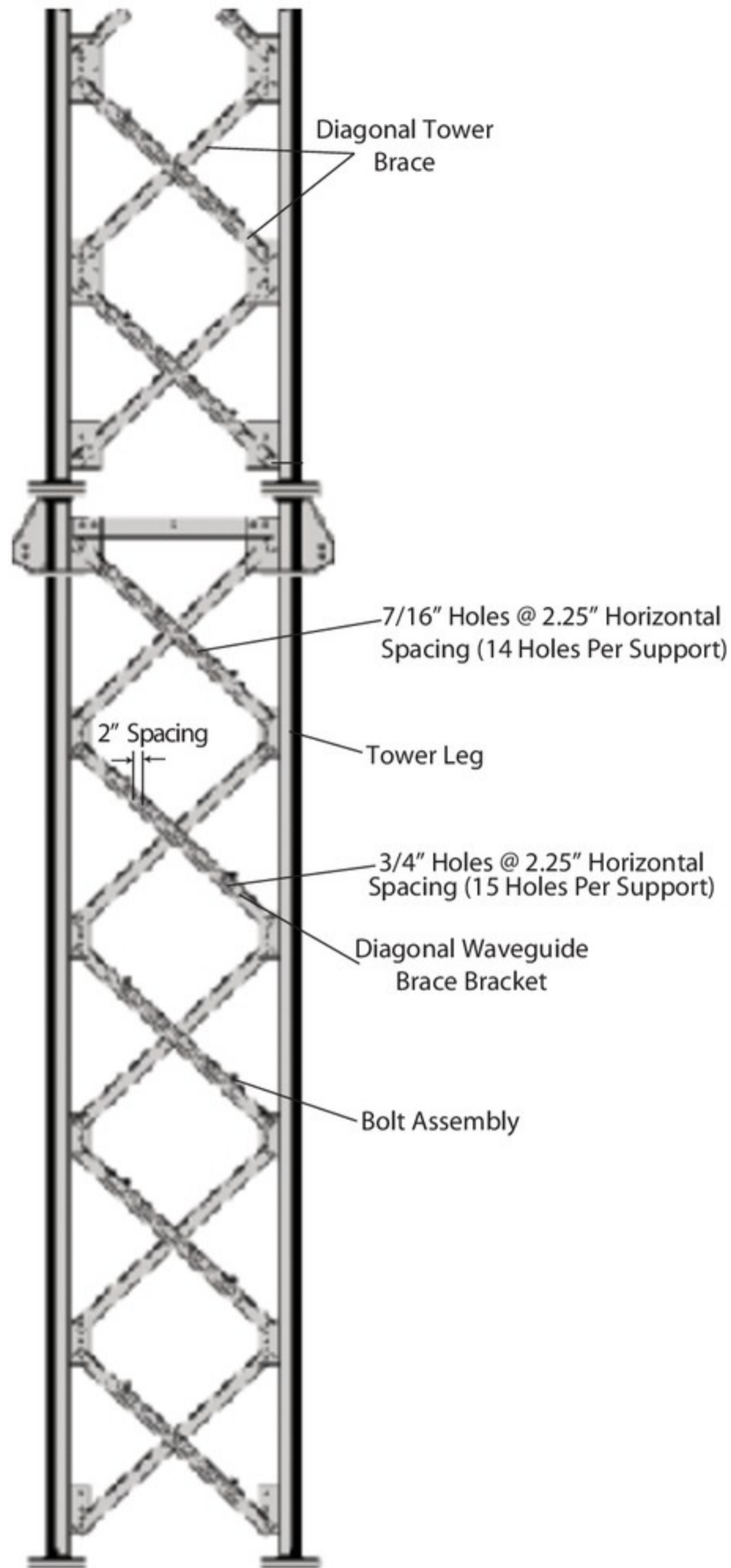
**WAF801214**  
(2" Diagonals)  
Order 3 per 15' section  
Order 4 per 20' section

**WAF801215**  
(1 3/4" Diagonals)  
Order 3 per 15' section  
Order 4 per 20' section

**NOTE:** These assemblies may be mounted on the inside or outside face of the tower.



**WAVEGUIDE BRACKETS**  
15-HOLE (90 SERIES)



**Angle Bracing**

**ORDERING INFORMATION**

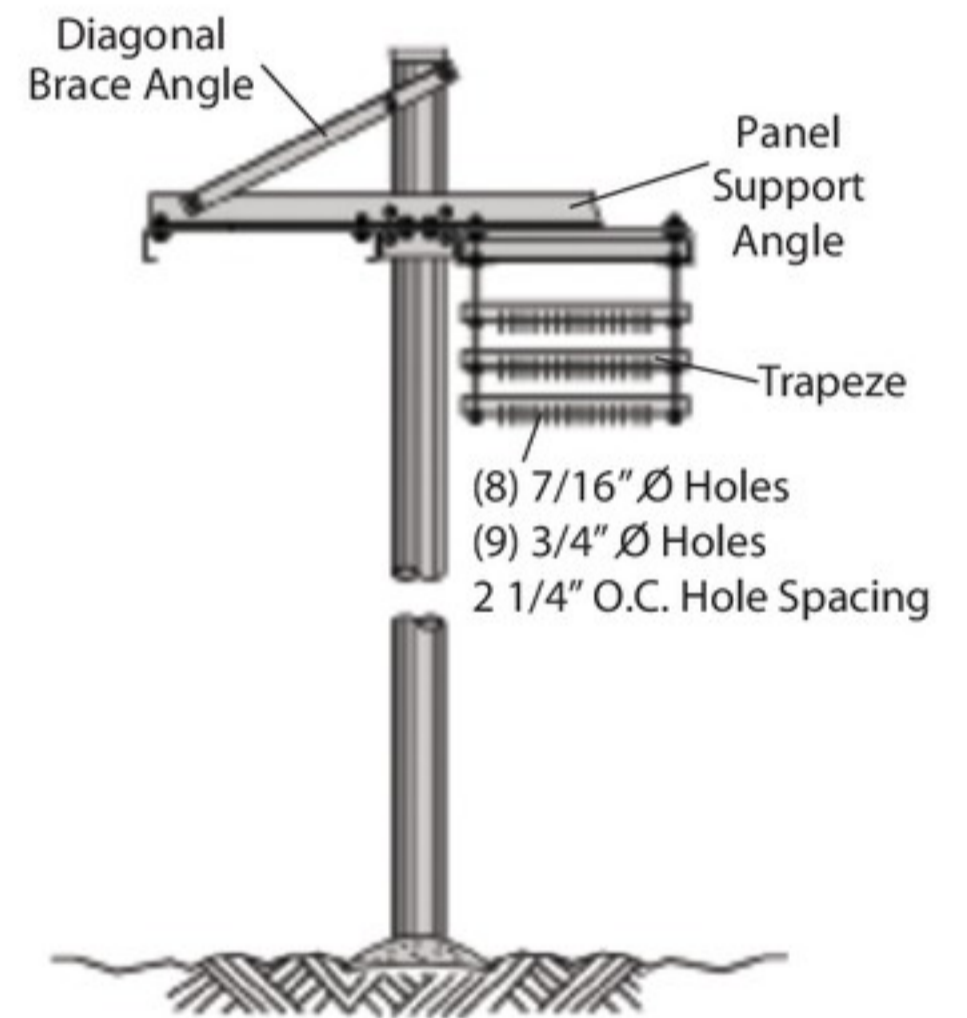
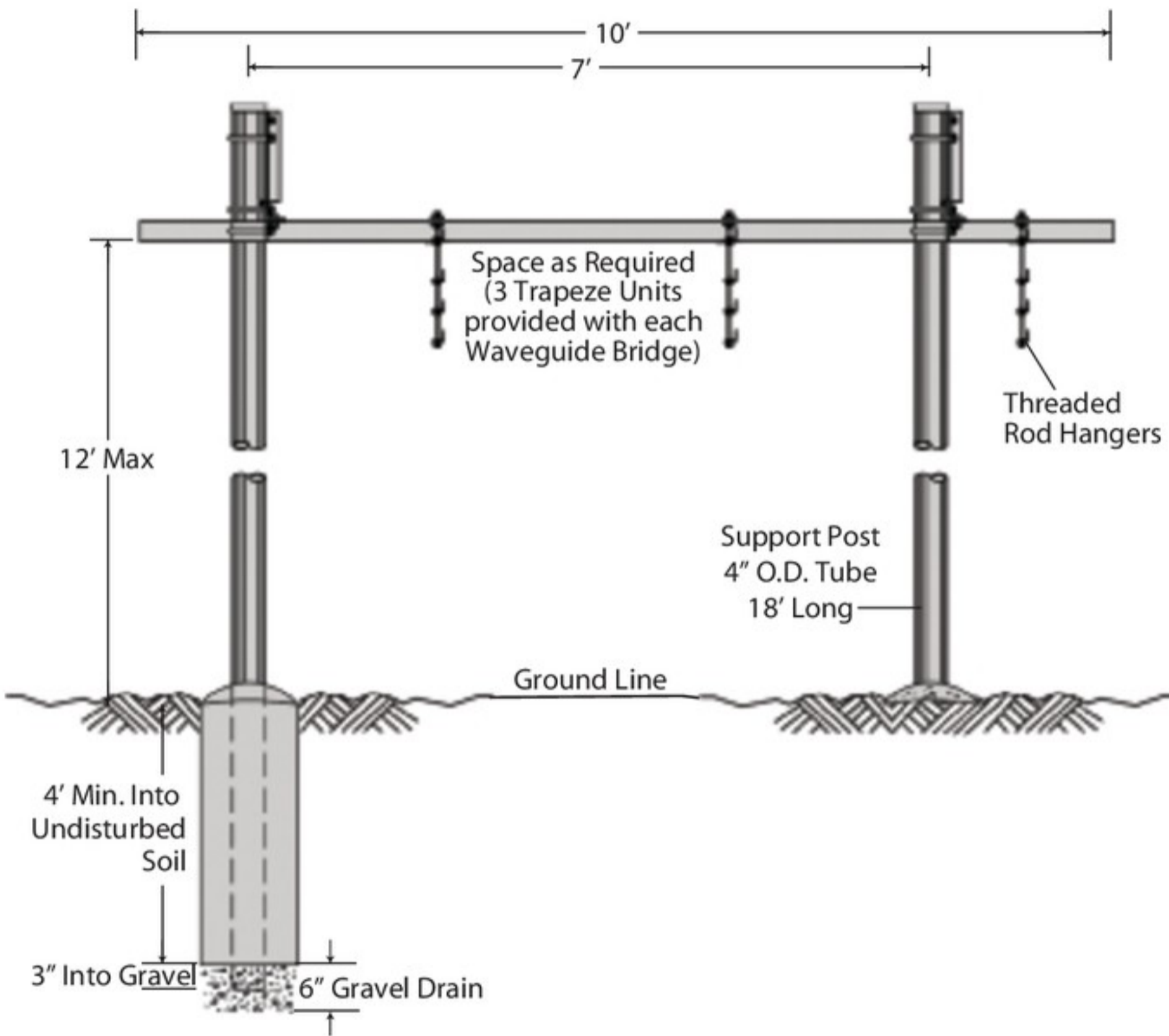
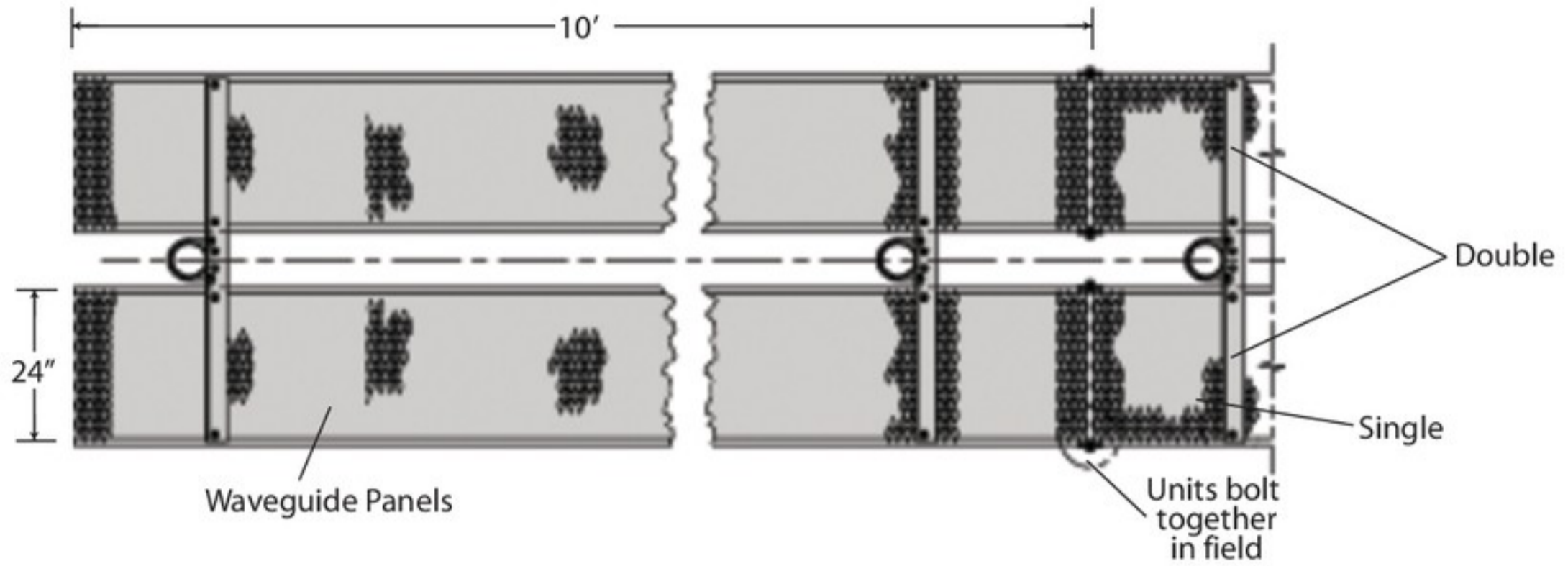
**WAF901521**  
Angle Waveguide Support  
& Bolt Assembly

Order (1) assembly part number WAF901521 for each diagonal brace bay that waveguides cross in a section. (Ex. (5) WAF901521 for a 20' tower section, (3) WAF901521 for a 12' tower section, etc.). This assembly may be mounted on outside of tower as shown or on inside as required.



# HEAVY DUTY WAVEGUIDE BRIDGE

## 10' SINGLE / DOUBLE



**Notes:**

1. Waveguide bridge is not designed to support personnel or equipment.

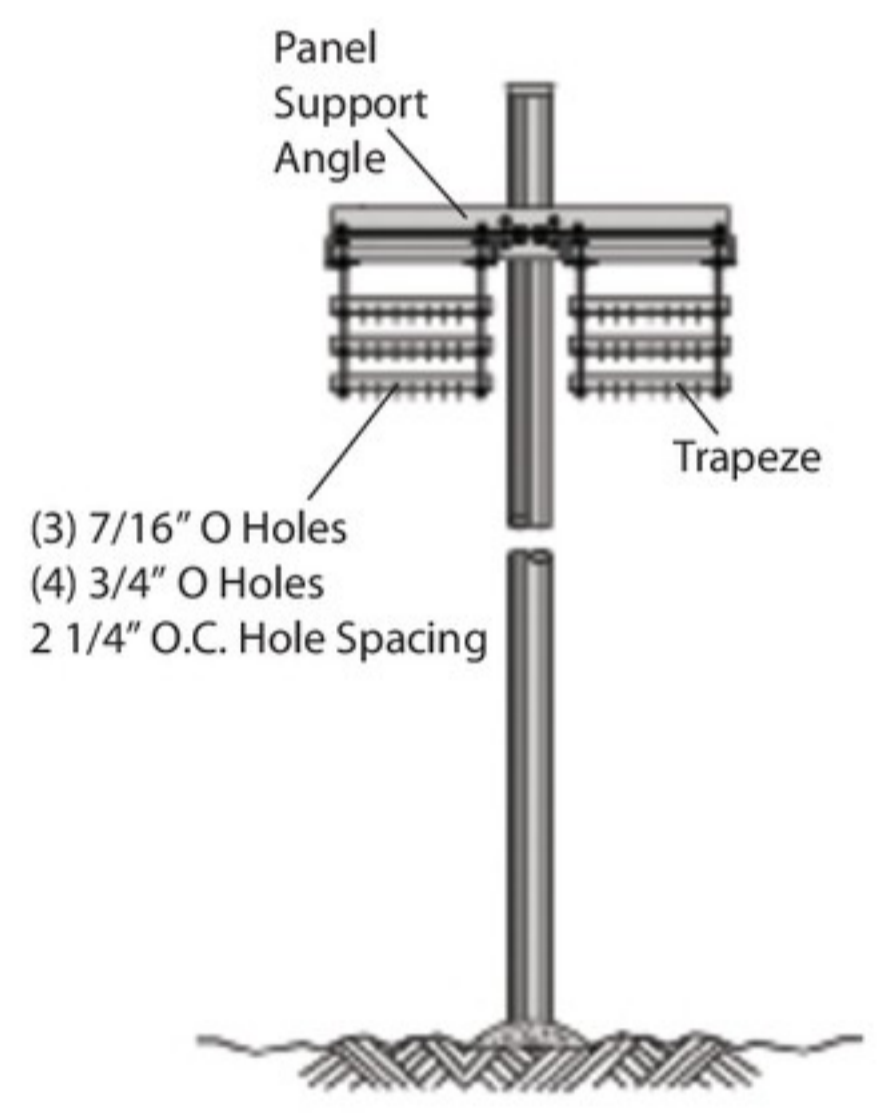
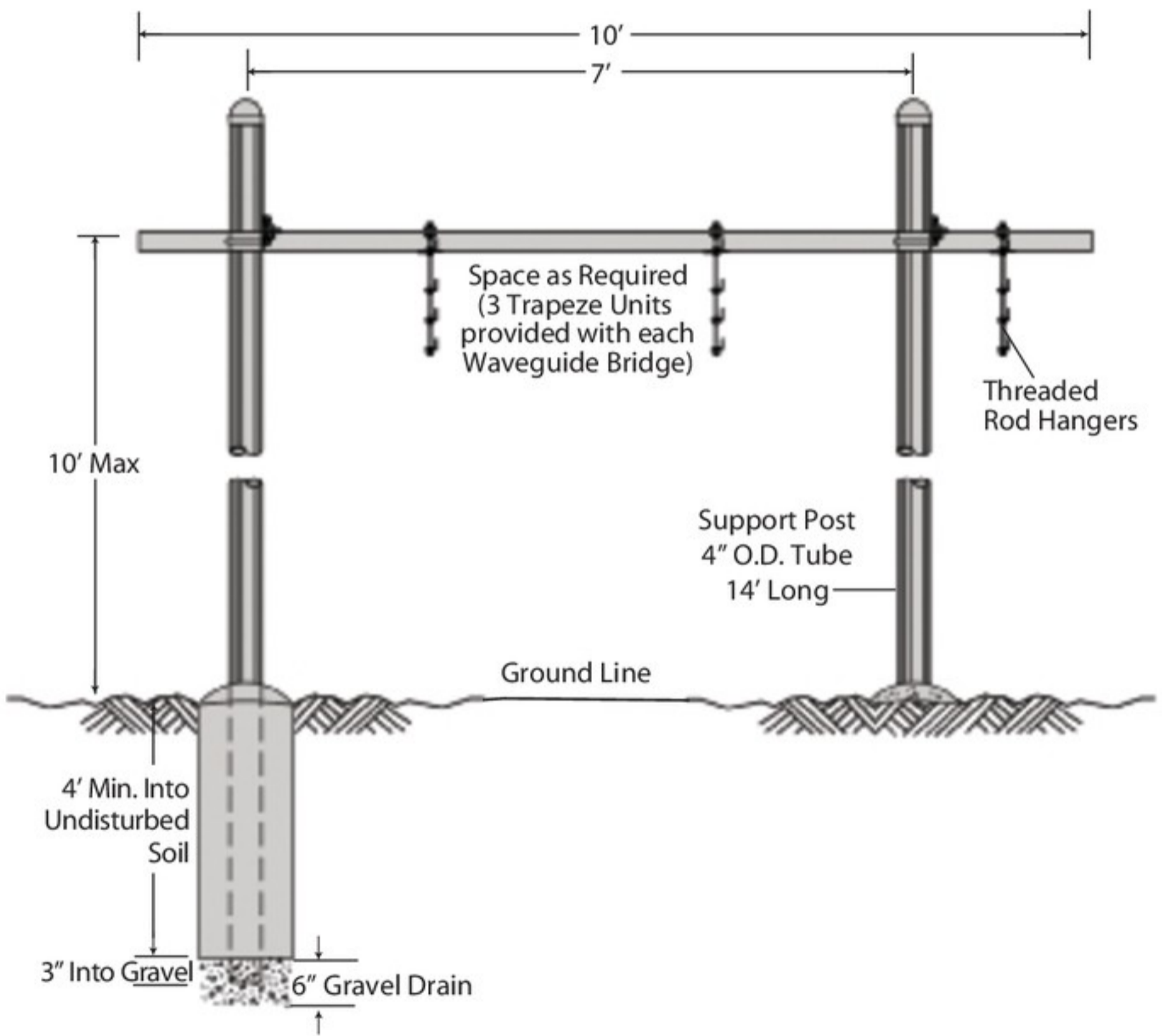
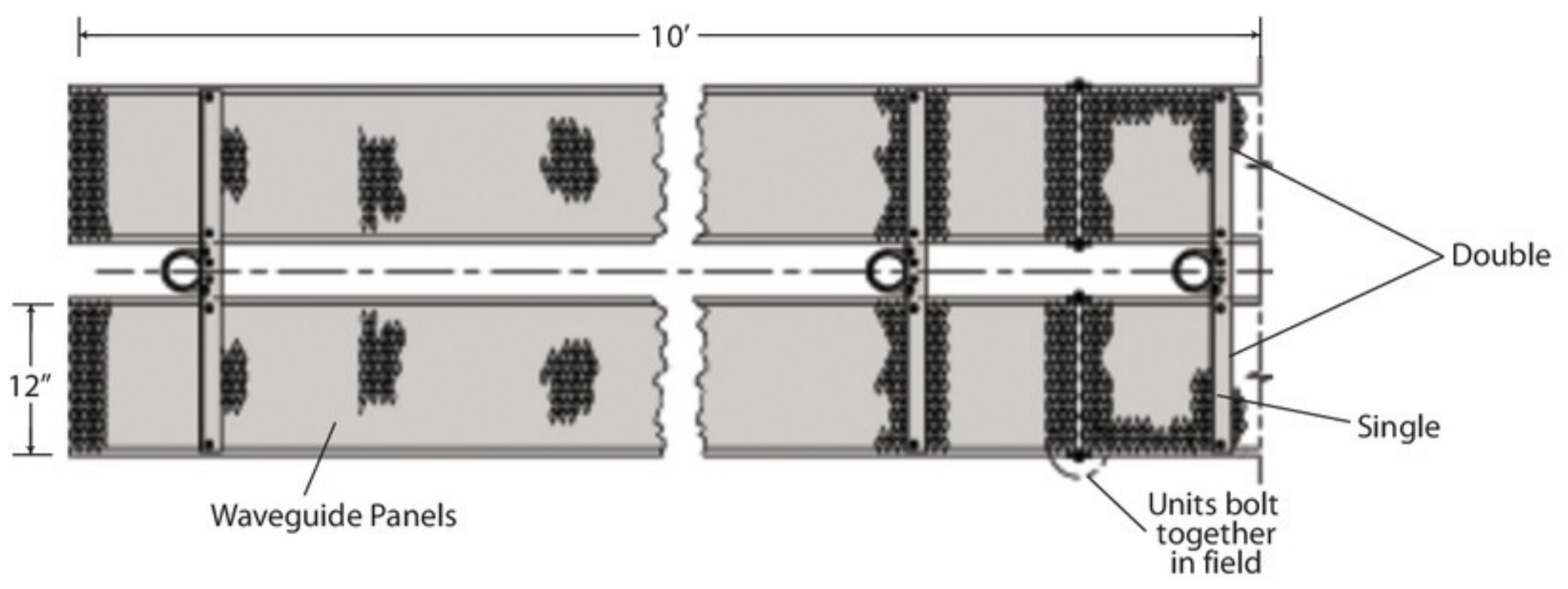
**ORDERING INFORMATION**

**WGBS2410**  
Single Wide Bridge  
2 Posts, 1 Bridge Panel (24" W x 10' L)  
(3) Trapeze Units

**WGBD2410**  
Double Bridge  
2 Posts, 2 Bridge Panels (24" W x 10' L, each)  
(6) Trapeze Units



**LIGHT DUTY WAVEGUIDE BRIDGE**  
10' SINGLE / DOUBLE



**Notes:**

- 1. Waveguide bridge is not designed to support personnel or equipment.

**ORDERING INFORMATION**

<p><b>WGBS121014</b> Single Wide Bridge 2 Posts, 1 Bridge Panel (12" W x 10' L) (3) Trapeze Units</p> <p><b>WGBD121014</b> Double Bridge 2 Posts, 2 Bridge Panels (12" W x 10' L, each) (6) Trapeze Units</p>
---



# POLE MOUNTS

**GENERAL NOTES:**

1. THIS PLATFORM IS TO BE USED FOR POLE DIAMETERS FROM 12" TO 30".
2. PAL NUTS ARE PROVIDED FOR ALL CONNECTIONS.

**ORDERING INFORMATION**

- (1) RUGGED15P OR RUGGED15PH
- (1) RING MOUNT (SEE DWG-0303)

**OPTIONAL ACCESSORIES**

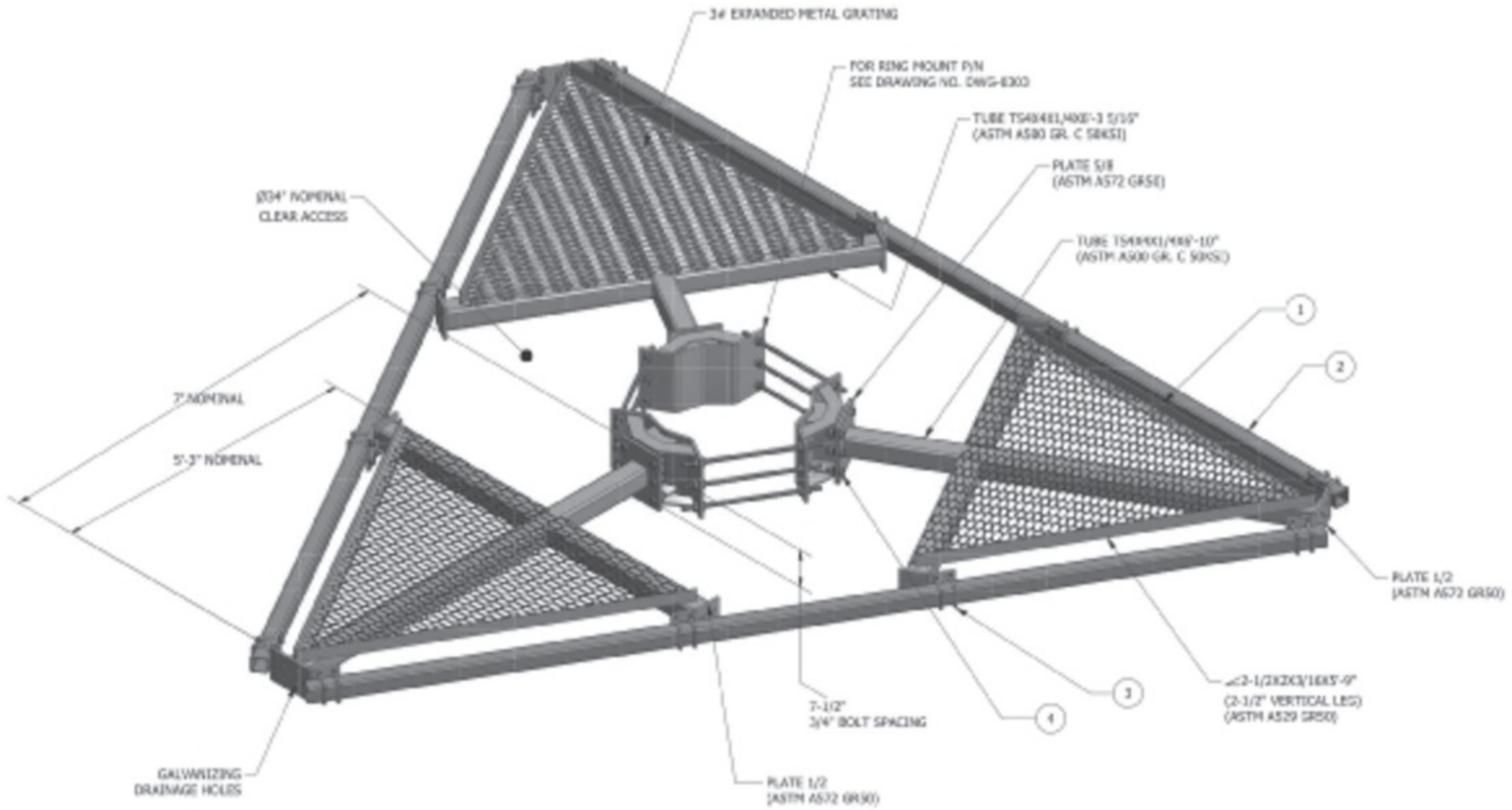
1. FOR ANTENNA MOUNTING PIPES  
SEE DRAWING NO. DWG-0329
2. FOR HANDRAIL KIT SEE DRAWING  
NO. DWG-0962

**ASSEMBLY P/N: RUGGED15P  
(3" SQ. MOUNTING TUBE)**

BILL OF MATERIALS			
ITEM	QTY	PART NUMBER	DESCRIPTION
1	3	TJ015	WORK PLATFORM PANEL 6.36'X6.92'
2	3	TJ029	TS 3X3X1/4X176" (ASTM A500 GR.C 50KSI)
3	24	JR816AW	U-BOLT ASSY SQUARE 1/2 X 3-5/8 (ASTM A36)
4	18	210049GA	BOLT ASSY 3/4 X 2-1/2 HSB A325

**ASSEMBLY P/N: RUGGED15PH  
(3-1/2" SQ. MOUNTING TUBE)**

BILL OF MATERIALS			
ITEM	QTY	PART NUMBER	DESCRIPTION
1	3	TJ015	WORK PLATFORM PANEL 6.36'X6.92'
2	3	TJ035	TS 3-1/2X3-1/2X1/4X176" (ASTM A500 GR.C 50KSI)
3	24	JR818AW	U-BOLT ASSY SQUARE 1/2 X 4-1/8 (ASTM A36)
4	18	210049GA	BOLT ASSY 3/4 X 2-1/2 HSB A325







# POLE MOUNTS

**GENERAL NOTES:**

1. THIS HANDRAIL KIT IS TO BE USED ON THE RUGGED15P AND THE RUGGED15PH PLATFORMS.
2. PLATFORM IS TO BE USED FOR POLE DIAMETERS FROM 12" TO 30".
3. PAL NUTS ARE PROVIDED FOR ALL CONNECTIONS.

**ORDERING INFORMATION**

- (1) RUGGED15TR
- (9) VERTICAL HANDRAIL PIPES (SEE PIPE CHART)

**OPTIONAL ACCESSORIES**

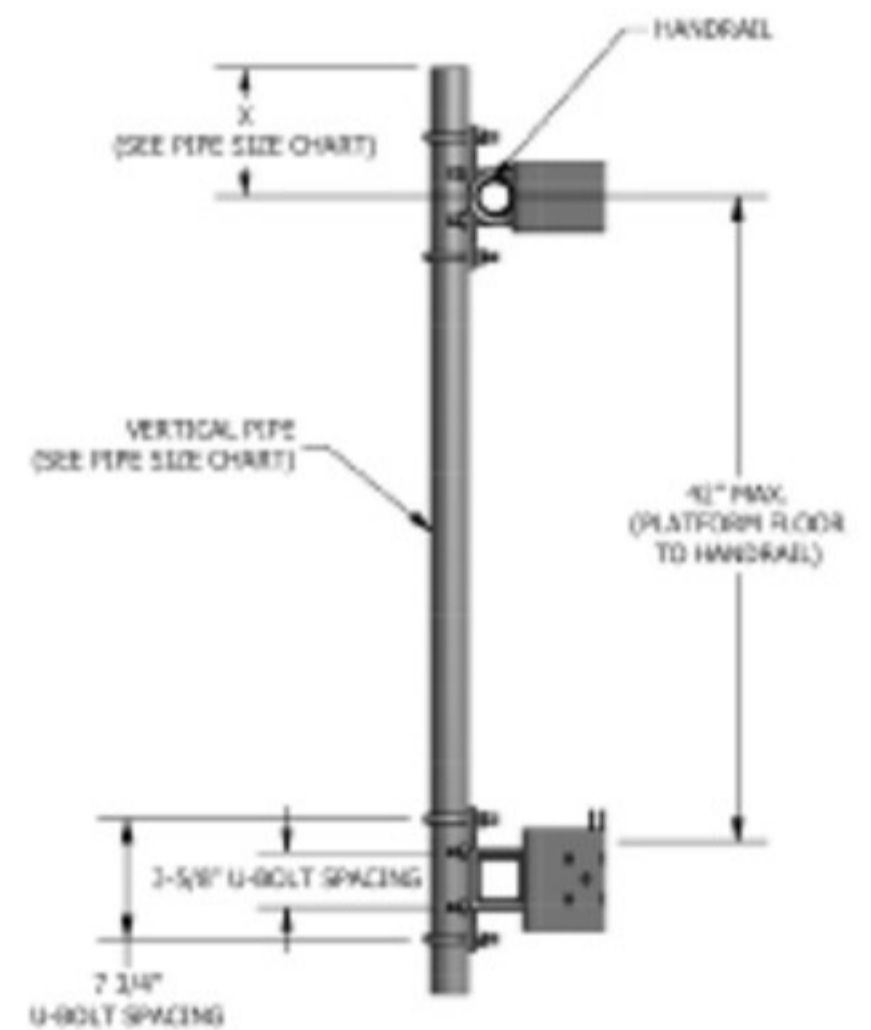
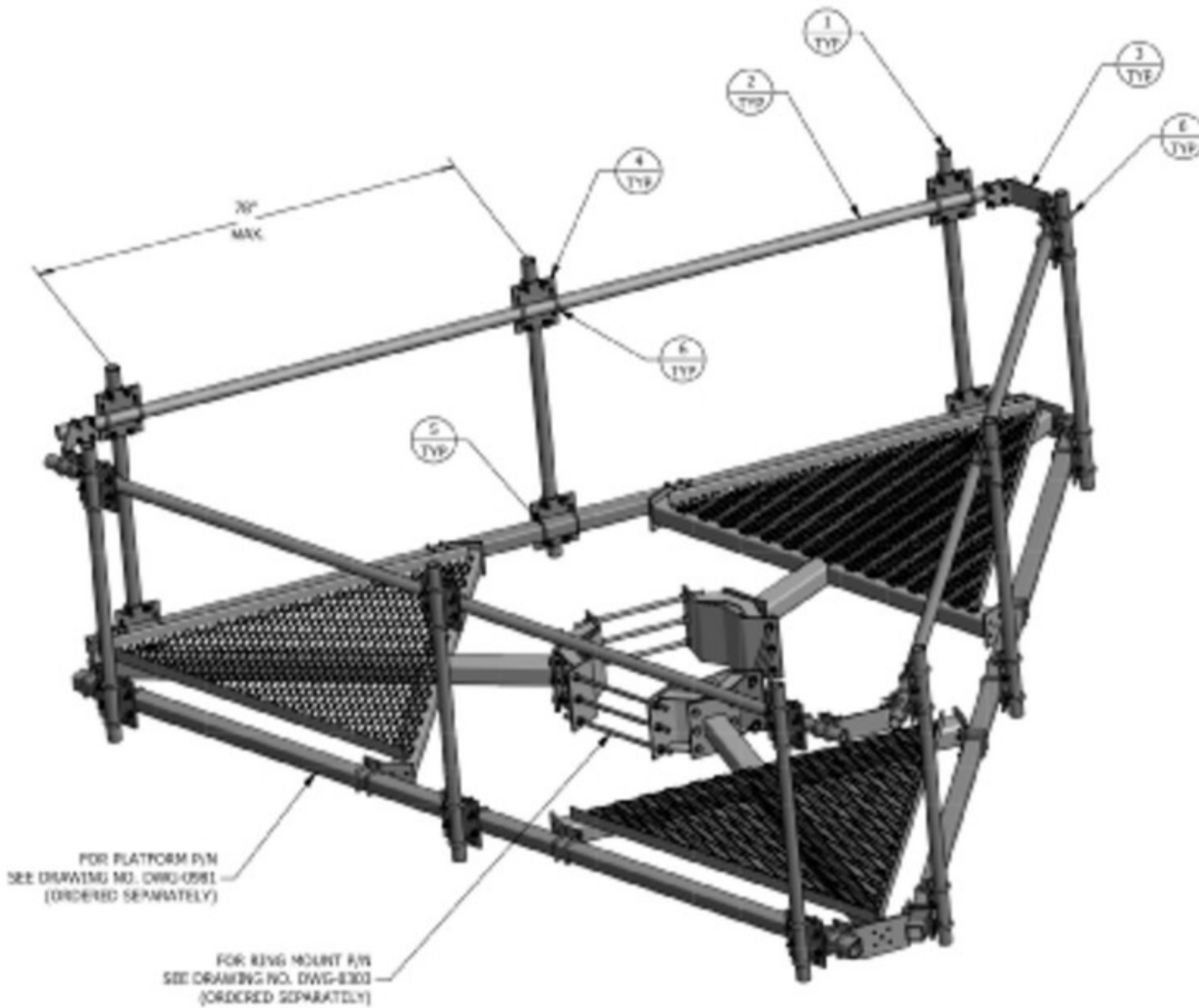
FOR ADDITIONAL VERTICAL HANDRAIL SUPPORT ASSEMBLIES ORDER:  
 P/N: KH8484A5 (5' PIPE)  
 P/N: KH8484A6 (6'-8" PIPE)  
 P/N: KH8484A8 (8' PIPE)  
 P/N: KH8484A10 (10' PIPE)  
 (ASSEMBLIES INCLUDE MOUNTING PLATES AND U-BOLTS)

**ASSEMBLY P/N: RUGGED15TR**

BILL OF MATERIALS			
ITEM	QTY	P/N	DESCRIPTION
1	9	SEE CHART	PIPE 2.380.D.X.154W (ASTM A500 GR. C 50KSI)
2	3	KH8225	PIPE 2.375X.154WX15' (ASTM A500 GR. C 50KSI)
3	3	TJ034	PLATE CONN .38X4.12X1.17" (ASTM A572 50KSI)
4	18	KH4750	PLATE CONN .5X8.0X9.25" (ASTM A572 GR50)
5	18	JR816AW	U-BOLT ASSY SQ 1/2 X 4-3/4 W/WASHER (ASTM A36)
6	66	JR83AW	U-BOLT ASSY 1/2 X 2-1/2 W/WASHER (ASTM A36)

**PIPE SIZE CHART (ASTM A500 GR. C 50KSI)**

PIPE P/N	X	PIPE LENGTH
KH275	9"	5'-0"
KH281	19"	6'-8"
KH1304	27"	8'-0"
KH287	39"	10'-0"



**RECOMMENDED MFG. PIPE & RAILING INSTALLATION**



# POLE MOUNTS

**GENERAL NOTES:**  
 1. THIS MOUNT IS TO BE USED FOR POLE DIAMETERS FROM 12" TO 30".  
 2. PAL NUTS ARE PROVIDED FOR ALL CONNECTIONS.

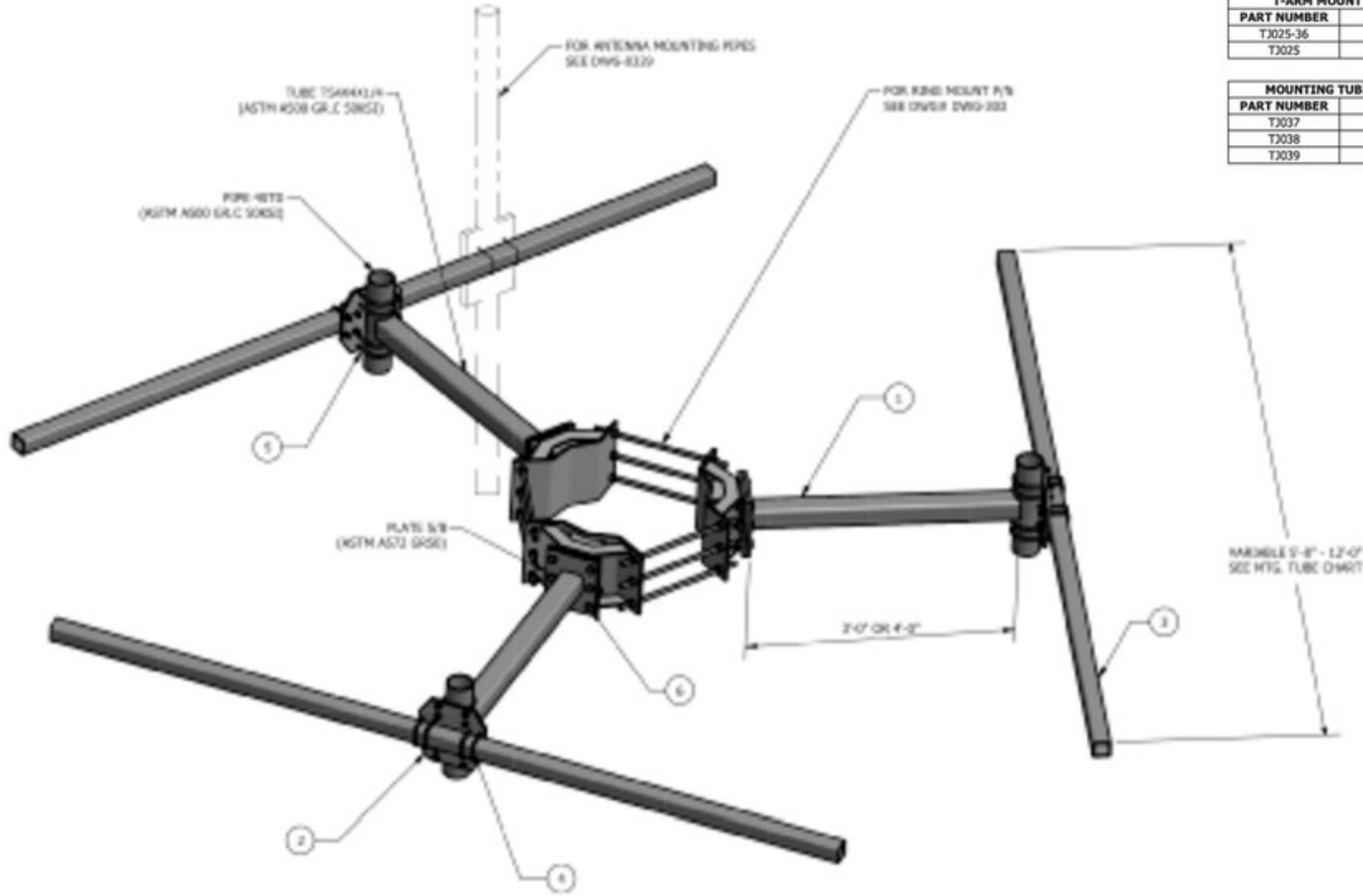
**ORDING INFORMATION**  
 (1) RUGGED15T  
 (1) RING MOUNT (SEE DWG-0303)  
 (3) T-ARM MOUNTS (SEE CHART)  
 (3) 3X3X1/4 MOUNTING TUBES (SEE CHART)  
 (X) ANTENNA MOUNTING PIPES (SEE DWG-0329)

**ASSEMBLY P/N: RUGGED15T**

BILL OF MATERIALS			
ITEM	QTY	PART NUMBER	DESCRIPTION
1	3	SEE CHART	T-ARM MOUNT 45TD
2	3	TJ021	PLATE MOUNT .63X1.07X1.07 (ASTM A572 GR50)
3	3	SEE CHART	TS 3X3X.25 (ASTM A500 GR.C 50KSI)
4	12	JR816A	U-BOLT ASSY SQUARE .50X3.13 (ASTM A36)
5	12	JR85A	U-BOLT ASSY .50X4.5 (ASTM A36)
6	18	210049GA	BOLT ASSY .75X2.5 (A325)

T-ARM MOUNT CHART	
PART NUMBER	LENGTH
TJ025-36	3'-0"
TJ025	4'-0"

MOUNTING TUBE CHART	
PART NUMBER	LENGTH
TJ037	12'-0"
TJ038	8'-0"
TJ039	5'-0"

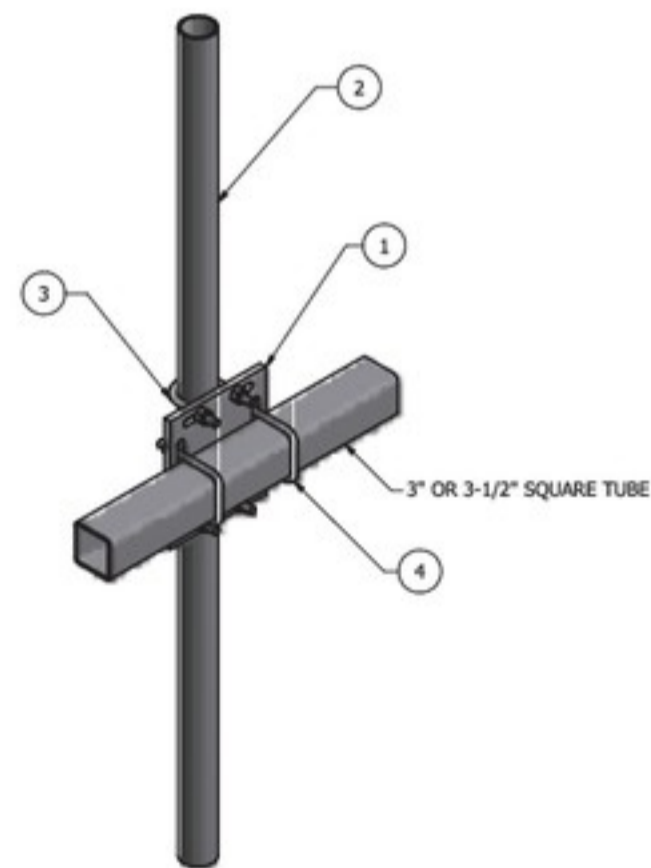


**GENERAL NOTES:**  
 1. CLAMPS TO BE EVENLY SPACED ON POLE.  
 2. OUTER NUTS TO BE TIGHTENED FIRST TO RESULT IN UNIFORM CLAMPING ON THE POLE, FOLLOWED BY TIGHTENING INNER NUTS 1/3 TURN BEYOND BRAG TIGHT.  
 3. PAL NUTS TO BE INSTALLED ON OUTER NUTS ONLY.

ASSEMBLY P/N: RPC1218			
BILL OF MATERIAL			
ITEM	QTY	PART NO.	DESCRIPTION
1	3	TJ010	RING MOUNT CLAMP 1.07X.79"
2	9	290039	THREADED ROD 3/4"-10X20.00" GRADE 305 F1554-S2
3	36	230020	NUT HVY HEX 3/4" (10 UNC) HDG
4	18	110162	NUT 3/4" (3/4"-PAL) HDG

ASSEMBLY P/N: RPC1924			
BILL OF MATERIAL			
ITEM	QTY	PART NO.	DESCRIPTION
1	3	TJ010	RING MOUNT CLAMP 1.07X.79"
2	9	290039	THREADED ROD 3/4"-10X20.00" GRADE 305 F1554-S2
3	36	230020	NUT HVY HEX 3/4" (10 UNC) HDG
4	18	110162	NUT 3/4" (3/4"-PAL) HDG

ASSEMBLY P/N: RPC2530			
BILL OF MATERIAL			
ITEM	QTY	PART NO.	DESCRIPTION
1	3	TJ010	RING MOUNT CLAMP 1.07X.79"
2	9	290039	THREADED ROD 3/4"-10X20.00" GRADE 305 F1554-S2
3	36	230020	NUT HVY HEX 3/4" (10 UNC) HDG
4	18	110162	NUT 3/4" (3/4"-PAL) HDG

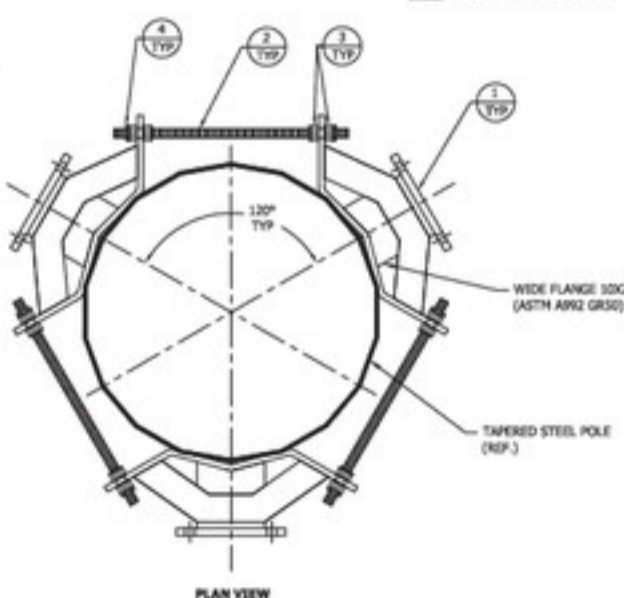
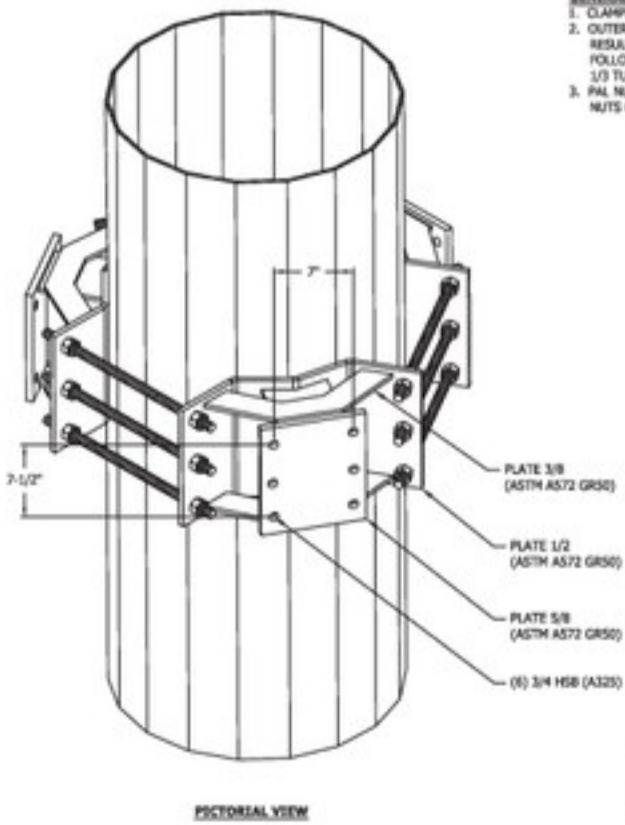


BILL OF MATERIALS			
ITEM	QTY	PART NUMBER	DESCRIPTION
1	1	KH4750	BAR SIDE ARM 8X.5X9.25" (ASTM A572 GR50)
2	1	SEE CHART	PIPE 2.380DX.154W (ASTM A500 GR.C 50KSI)
3	2	JR83AW	U-BOLT ASSY 1/2 X 2-1/2 W/WASH (ASTM A36)
4	2	SEE CHART	U-BOLT ASSY 1/2 (ASTM A36)

PIPE SIZE CHART (ASTM A500 GR. C 50KSI)	
PART NUMBER	PIPE LENGTH
KH275	5'-0"
KH281	6'-8"
KH1304	8'-0"

SQ. U-BOLT CHART		
SQ. TUBE SIZE	PART NUMBER	DESCRIPTION
3"	JR816AW	U-BOLT ASSY 1/2 X 3-5/8 W/WASH (ASTM A36)
3-1/2"	JR818AW	U-BOLT ASSY 1/2 X 4-1/8 W/WASH (ASTM A36)

**GENERAL NOTES:**  
 1. PAL NUTS ARE PROVIDED FOR ALL CONNECTIONS.  
 2. OTHER MOUNTING PIPE SIZES ARE AVAILABLE UPON REQUEST.





# NOTES