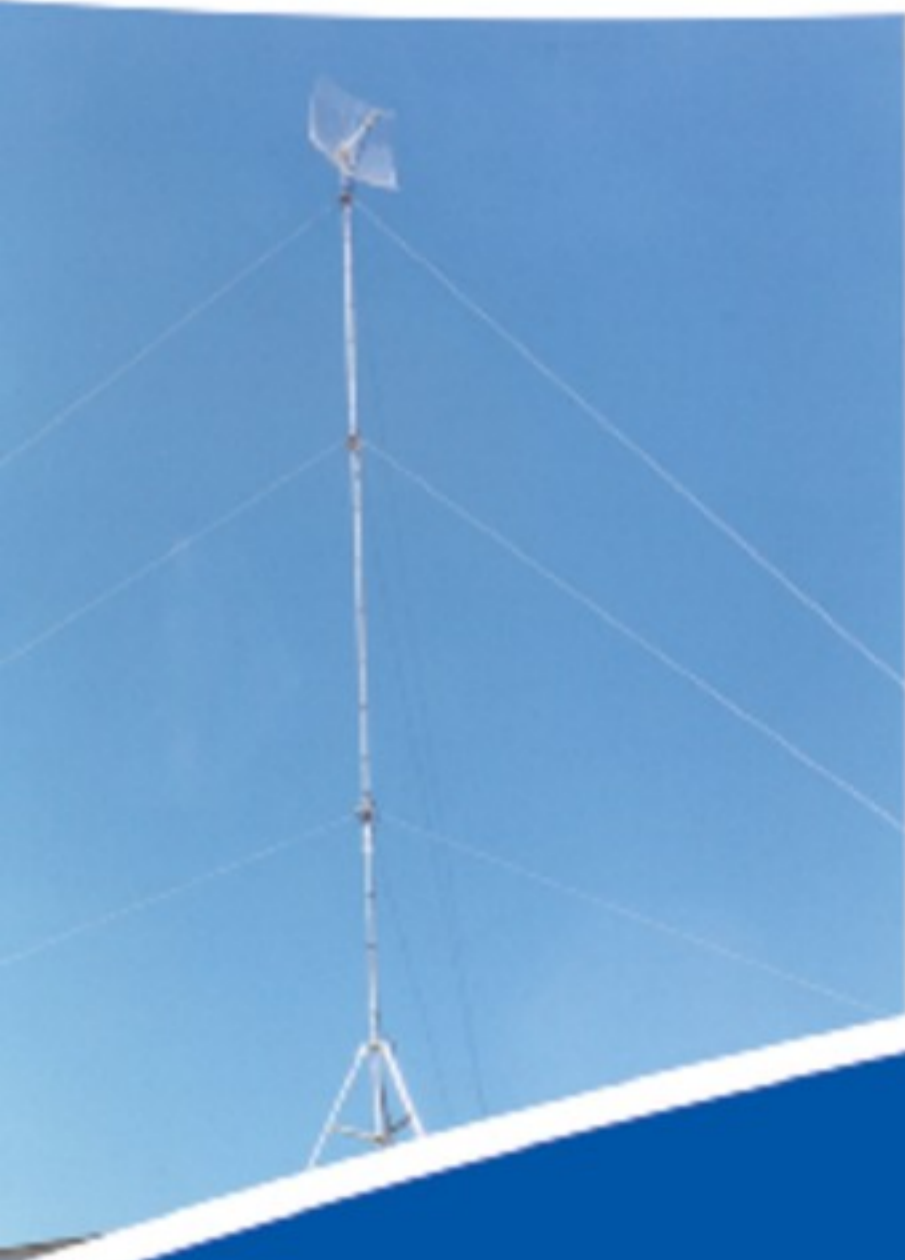


TELESCOPING MASTS





TELESCOPING MASTS

FOR USE IN GUYED OR BRACKETED INSTALLATIONS



ROHN Telescoping Masts are available in 20', 30', 33', 40' and 50' nominal heights. All are pre-galvanized for corrosion protection and come assembled with hardware.

Specifications:

All installations must be guyed or bracketed. Installation of masts should be done by experienced professionals.

Telescoping Masts are not recommended for commercial, CB or beam antenna installations.

Part No.	Wt.	O.D. Bottom	O.D. Top	Shipping Length
H20	17 lbs.	1 1/2"	1 1/4"	123"
H30	27 lbs.	1 3/4"	1 1/4"	123"
H40	36 lbs.	2"	1 1/4"	123"
H50	46 lbs.	2 1/4"	1 1/4"	123"
9H50*	34 lbs.	2 1/4"	1 1/4"	99"

*9H50 is UPS shippable.

Note:

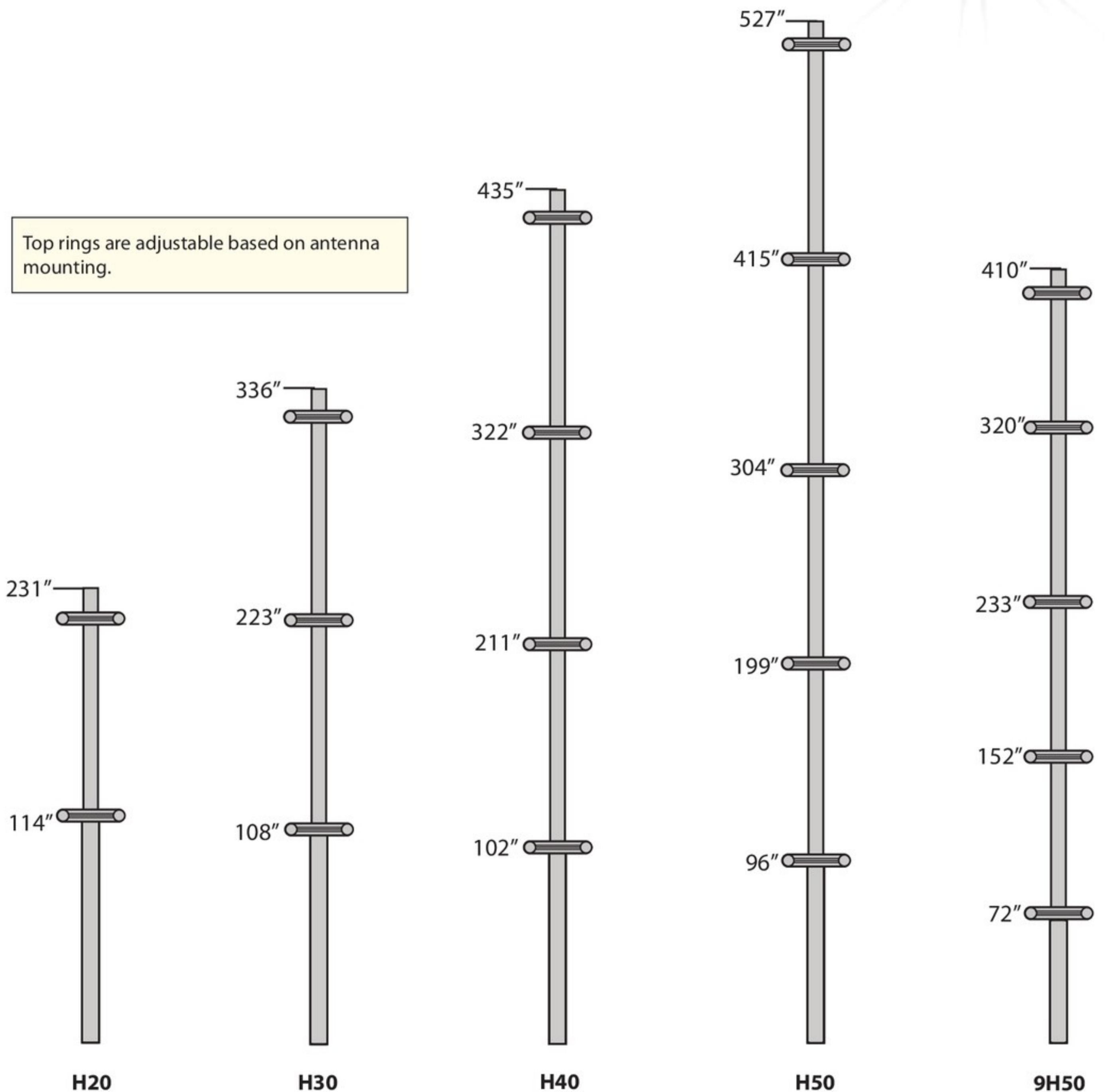
Guys, guy hardware, anchors and base mount must be ordered separately. Refer to pages 245-248 for standard kits and page 249 for individual components.



TELESCOPING MASTS
 H20|H30|H40|H50|9H50

NEW PRODUCT
9H50
 UPS Shippable!

Top rings are adjustable based on antenna mounting.

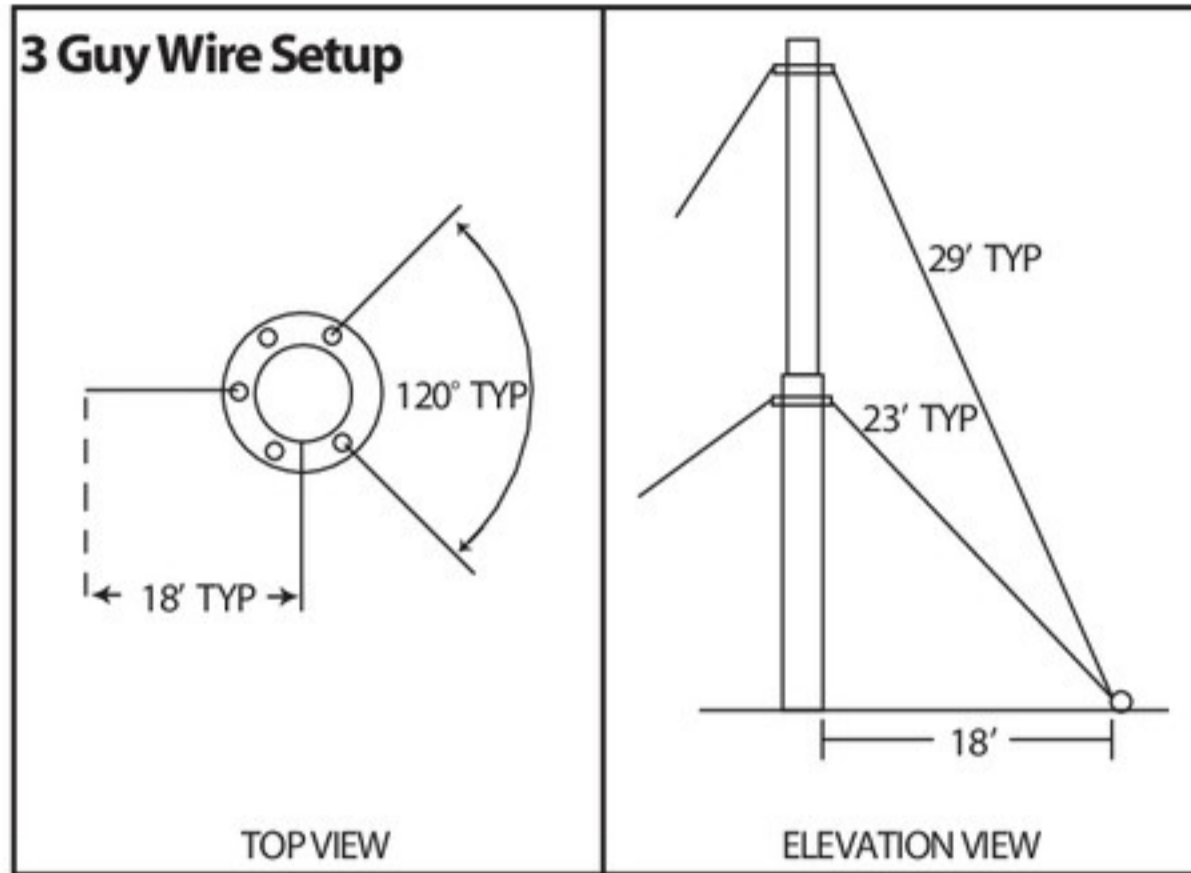




INSTALLATION GUIDELINES

All Telescoping Mast kits include guys, connection hardware, anchors and ground mount.
Mast must be ordered separately.

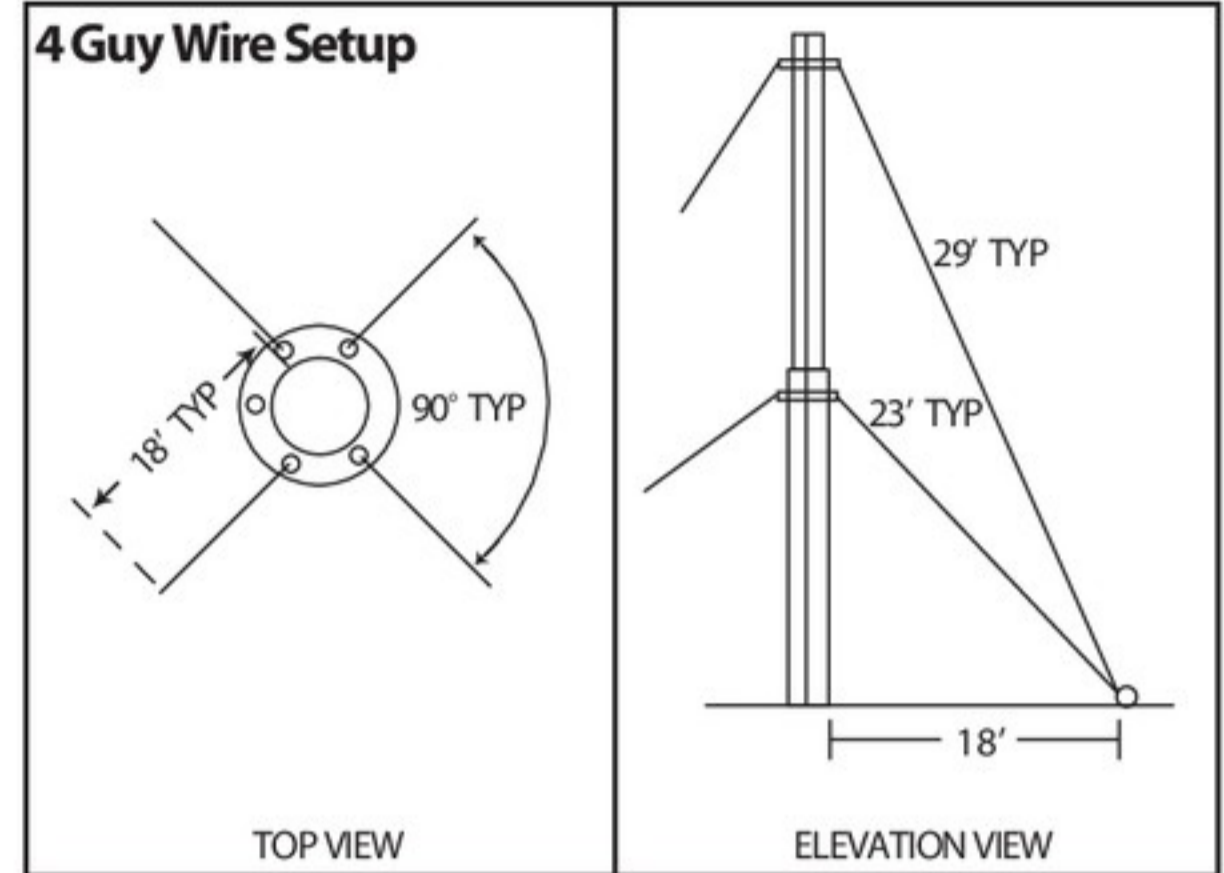
H20 GUY KIT



H203WAYGUY

Actual Wire Required - 200'

1	618	1000' - 6 Strand/18 GA Wire
3	GAS4303	1/2" x 30" Screw Anchor
12	61820GRPL	618/620 Gripple
1	GTMBL	Ground Mount

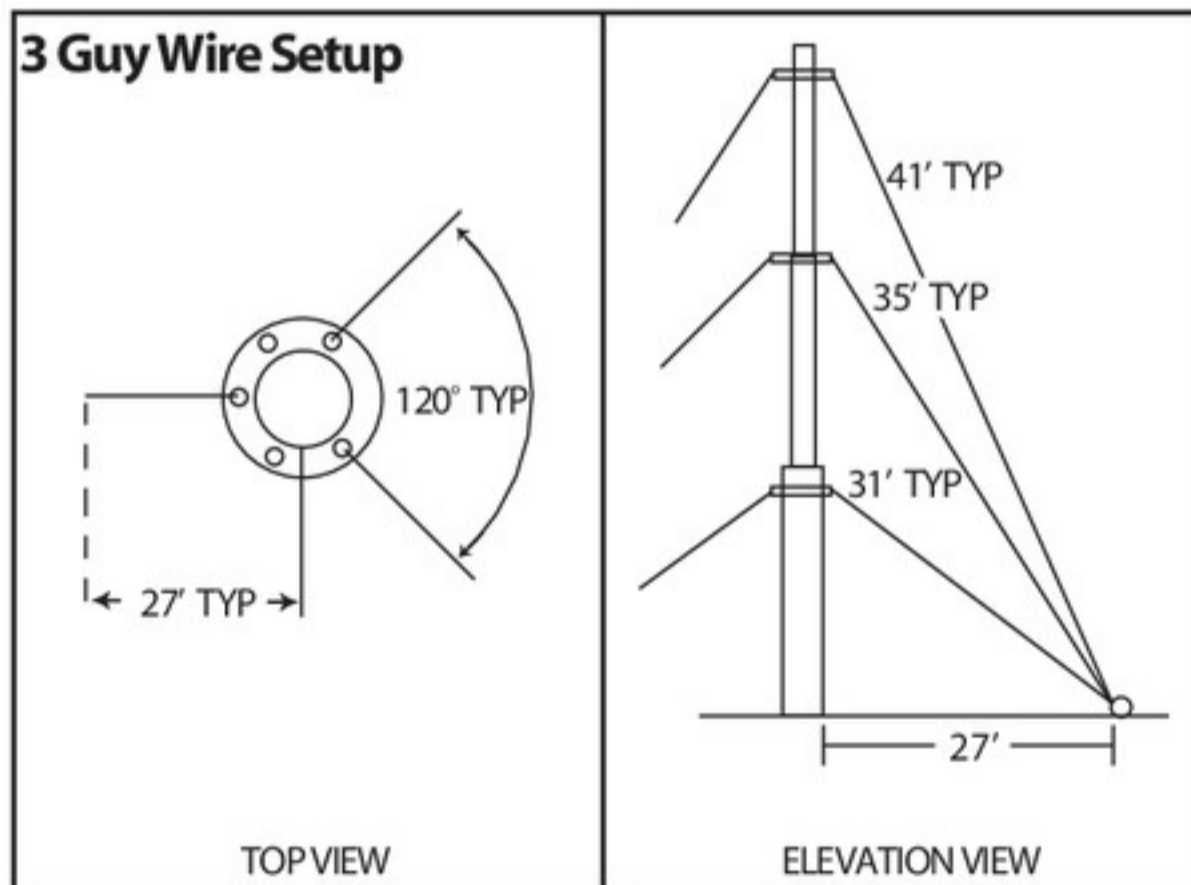


H204WAYGUY

Actual Wire Required - 250'

1	618	1000' - 6 Strand/18 GA Wire
4	GAS4303	1/2" x 30" Screw Anchor
16	61820GRPL	618/620 Gripple
1	GTMBL	Ground Mount

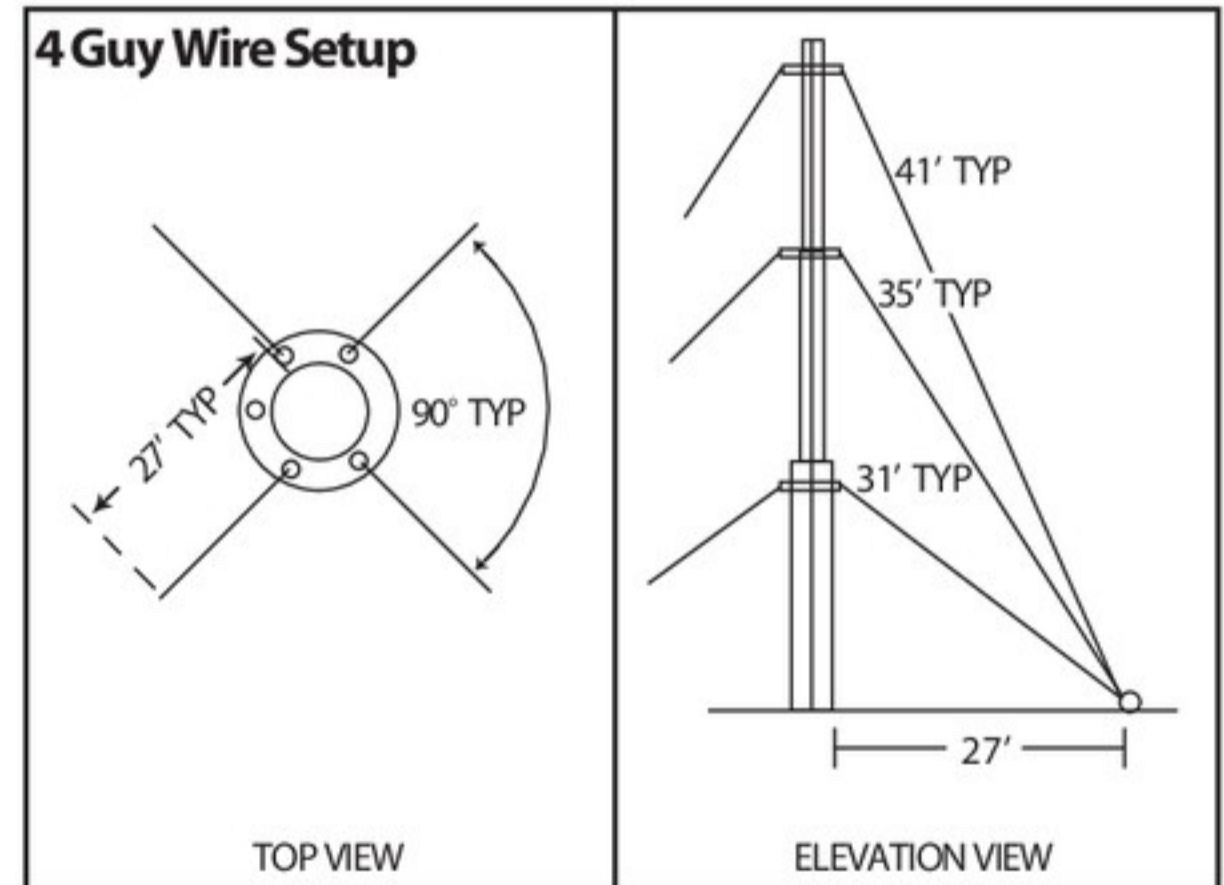
H30 GUY KIT



H303WAYGUY

Actual Wire Required - 350'

1	618	1000' - 6 Strand/18 GA Wire
3	GAS4303	1/2" x 30" Screw Anchor
18	61820GRPL	618/620 Gripple
1	GTMBL	Ground Mount



H304WAYGUY

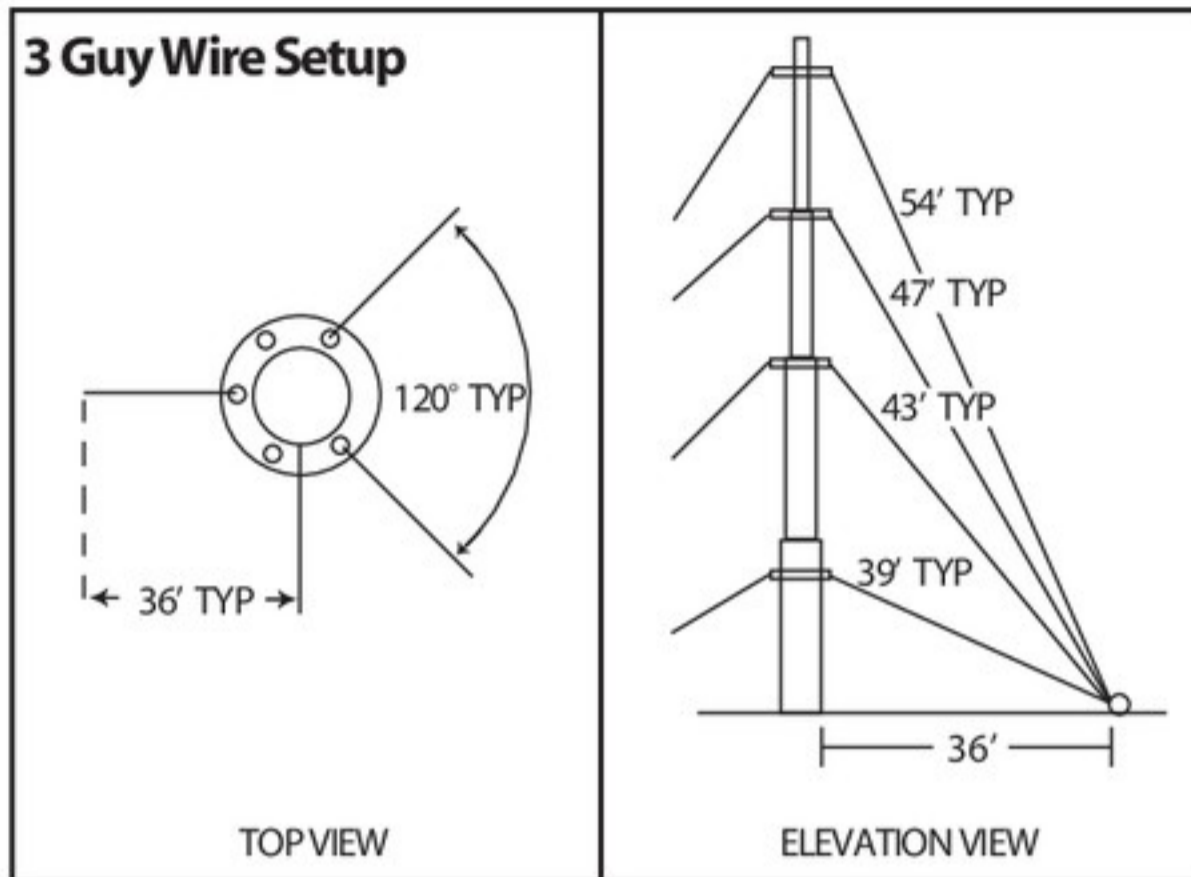
Actual Wire Required - 450'

1	618	1000' - 6 Strand/18 GA Wire
4	GAS4303	1/2" x 30" Screw Anchor
24	61820GRPL	618/620 Gripple
1	GTMBL	Ground Mount

INSTALLATION GUIDELINES

All Telescoping Mast kits include guys, connection hardware, anchors and ground mount.
Mast must be ordered separately.

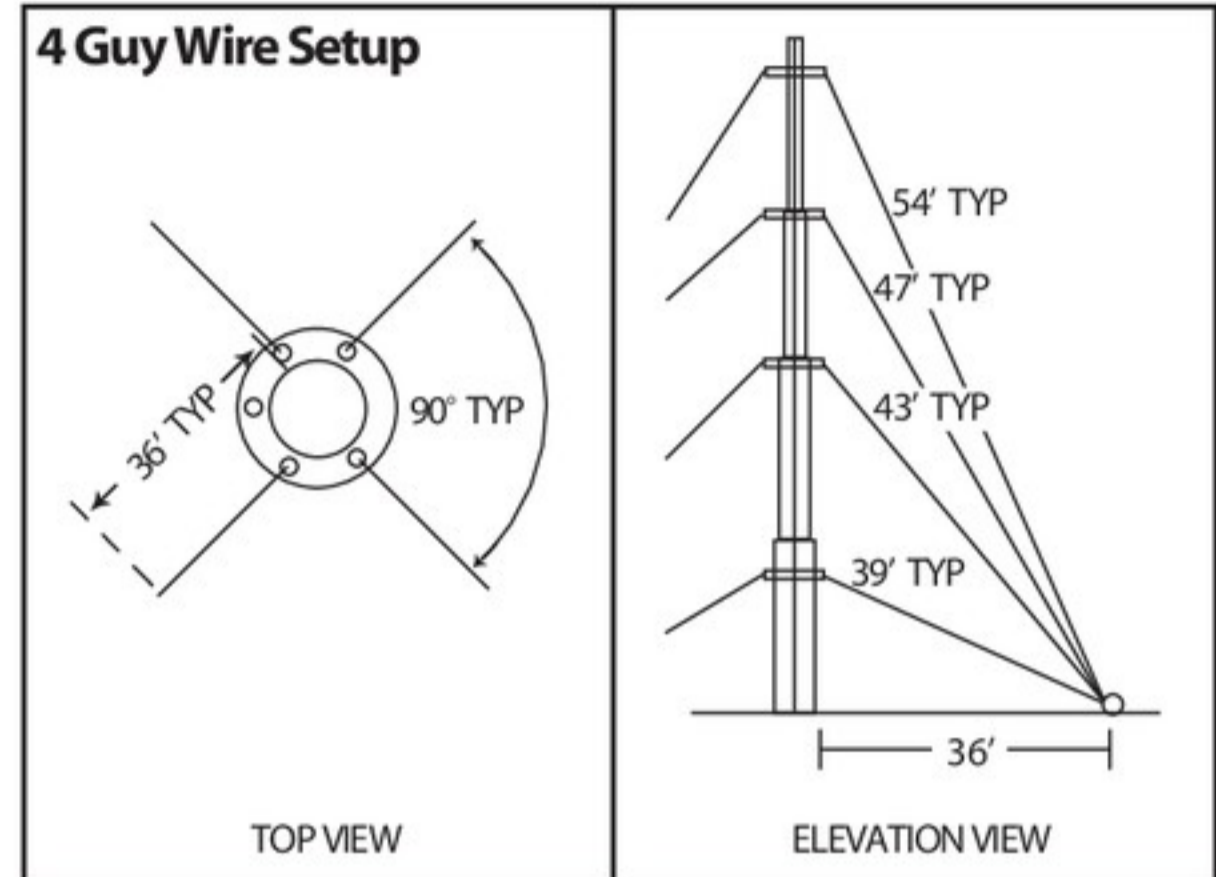
H40 GUY KIT



H403WAYGUY

Actual Wire Required - 550'

1	618	1000' - 6 Strand/18 GA Wire
3	GAS4303	1/2" x 30" Screw Anchor
24	61820GRPL	618/620 Gripple
1	GTMBL	Ground Mount

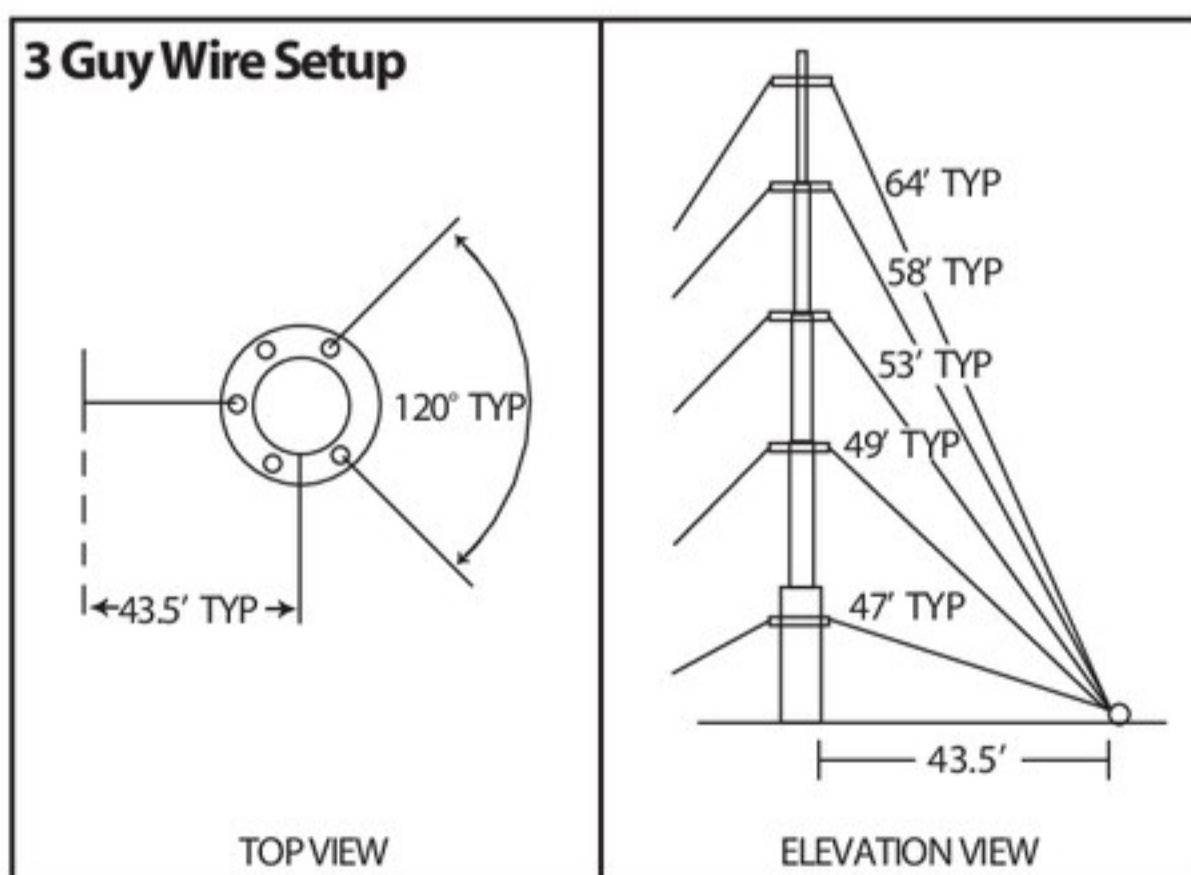


H404WAYGUY

Actual Wire Required - 750'

1	618	1000' - 6 Strand/18 GA Wire
4	GAS4303	1/2" x 30" Screw Anchor
32	61820GRPL	618/620 Gripple
1	GTMBL	Ground Mount

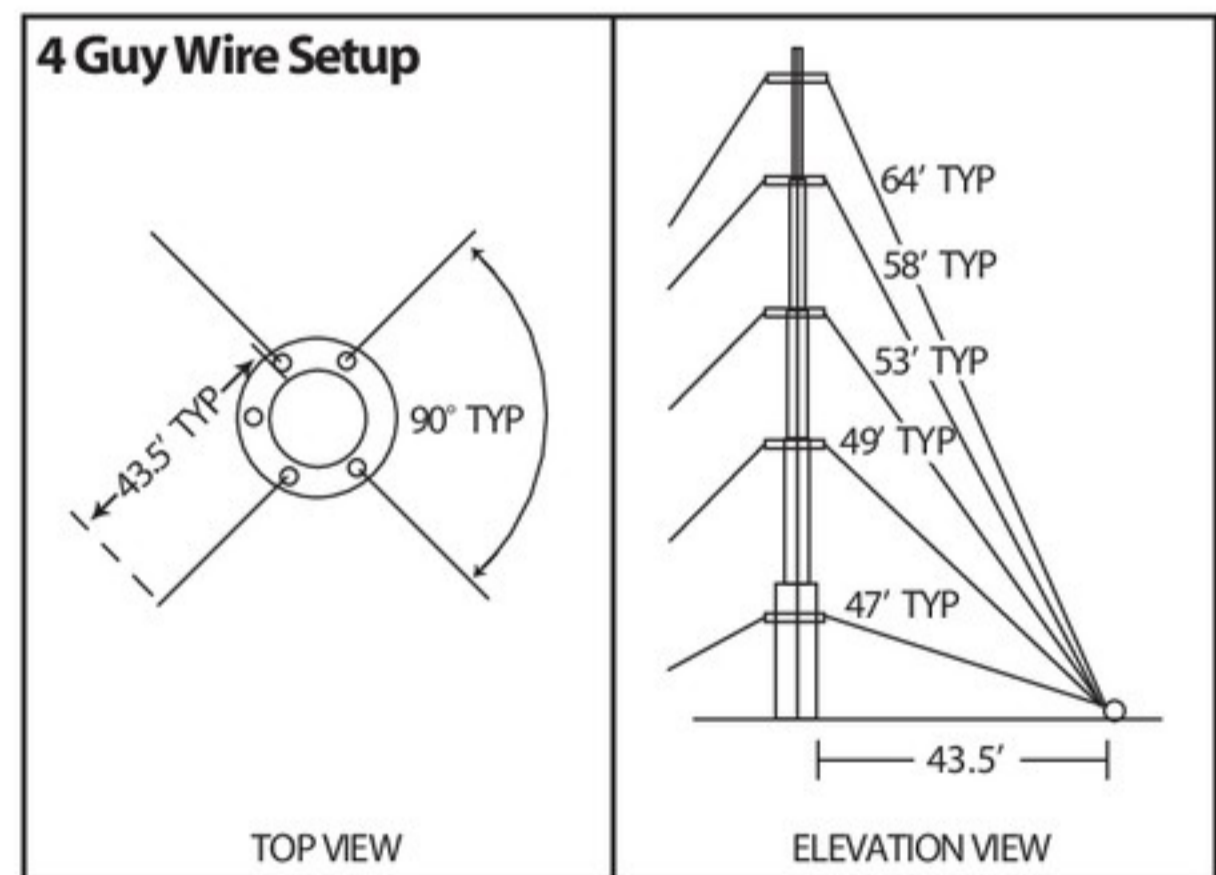
H50 GUY KIT



H503WAYGUY

Actual Wire Required - 850'

1	618	1000' - 6 Strand/18 GA Wire
3	GAS604	5/8" x 48" Screw Anchor
30	61820GRPL	618/620 Gripple
1	GTMBL	Ground Mount



H504WAYGUY

Actual Wire Required - 1100'

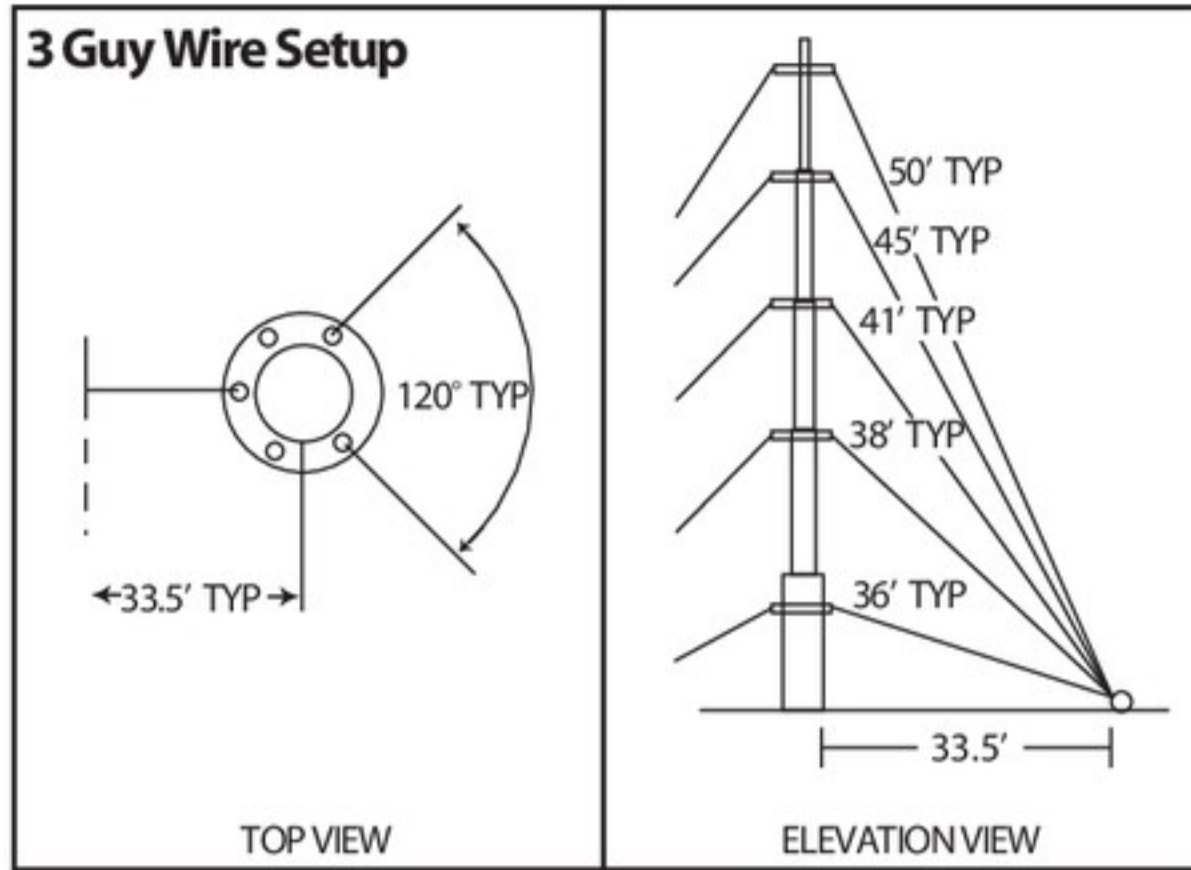
2	618	1000' - 6 Strand/18 GA Wire
4	GAS604	5/8" x 48" Screw Anchor
40	61820GRPL	618/620 Gripple
1	GTMBL	Ground Mount



INSTALLATION GUIDELINES

All Telescoping Mast kits include guys, connection hardware, anchors and ground mount.
Mast must be ordered separately.

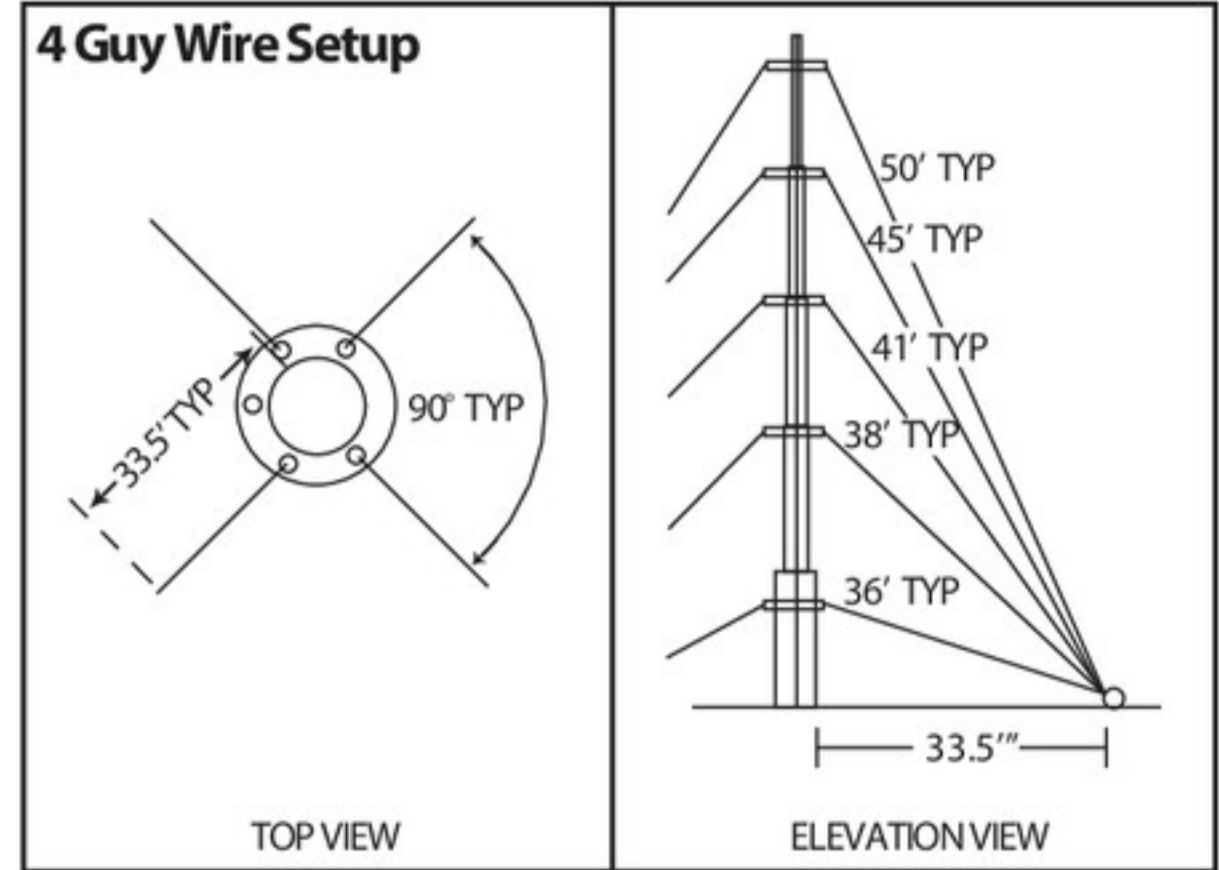
9H50 GUY KIT



9H503WAYGUY

Actual Wire Required - 650'

1	618	1000' - 6 Strand/18 GA Wire
3	GAS604	5/8" x 48" Screw Anchor
30	61820GRPL	618/620 Gripple
1	GTMBL	Ground Mount



9H504WAYGUY

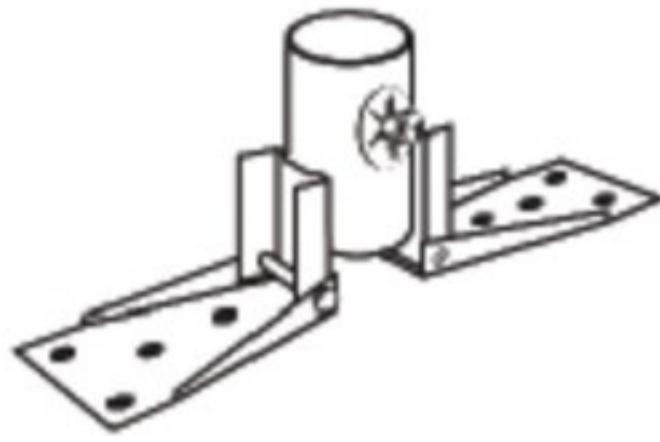
Actual Wire Required - 850'

1	618	1000' - 6 Strand/18 GA Wire
4	GAS604	5/8" x 48" Screw Anchor
40	61820GRPL	618/620 Gripple
1	GTMBL	Ground Mount

INSTALLATION GUIDELINES

1. Installation or dismantling of telescoping masts require professional contractors experienced with guyed masts.
2. All installations must be bracketed or guyed.
3. The pictured guy layouts are for a typical installation. Individual installation requirements may vary.
4. Antenna load (top load) should not exceed an effective projected area (EPA) of 2 square feet (see your antenna specifications).

PARTS & ACCESSORIES



UNIVERSAL RIDGE MOUNT

Completely assembled for quick and easy flat or peaked roof installation. Allows tall masts to be swung up along the ridge of a roof.

Part No.	Description
UM20	Holds masts to 1 1/2" O.D.
UM30	Holds masts to 1 3/4" O.D.
UM40	Holds masts to 2" O.D.
UM50	Holds masts to 2 1/4" O.D.

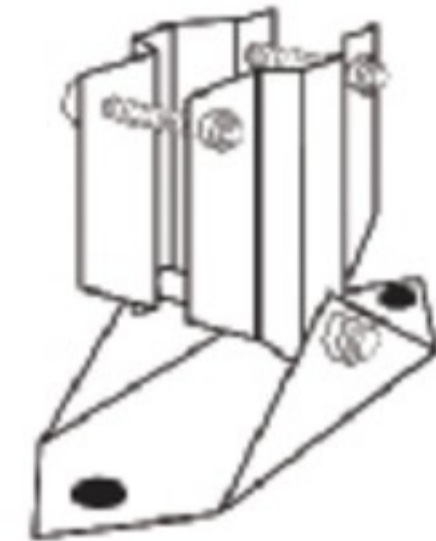
Roof mounting hardware not included.



GROUND MOUNT

Sturdy, galvanized, drive-in type mount for all ROHN telescoping masts, 1 1/4" tubing and 1 1/2" tubing.

Part No.	Description
GTMBL	Ground Mount



UNIVERSAL ROOF MOUNT

Features galvanized finish and heavy duty steel throughout. Completely assembled. Holds all ROHN telescoping masts, 1 1/4" tubing and 1 1/2" tubing.

Part No.	Description
ETMB	Universal Mount

Roof mounting hardware not included.



GALVANIZED GUYS

Non-tangling interconnected coils. Packaged 1000' per box.

Part No.	Description
618	6 strand, 18 GA



SCREW ANCHORS

Hot-dip galvanized screw anchor.

Part No.	Description
GAS4303	1/2" dia. x 30" long with 4" auger
GAS604	5/8" dia. x 48" long with 6" auger



GUY CONNECTIONS

Use for easy installation of 6 strand, 18 GA guys.

Part No.	Description
61820GRPL	Gripple Grip

Not to be used to suspend or lift personnel.

Refer to page 251 for roof mounts. Refer to page 275 for wall mounts.

