

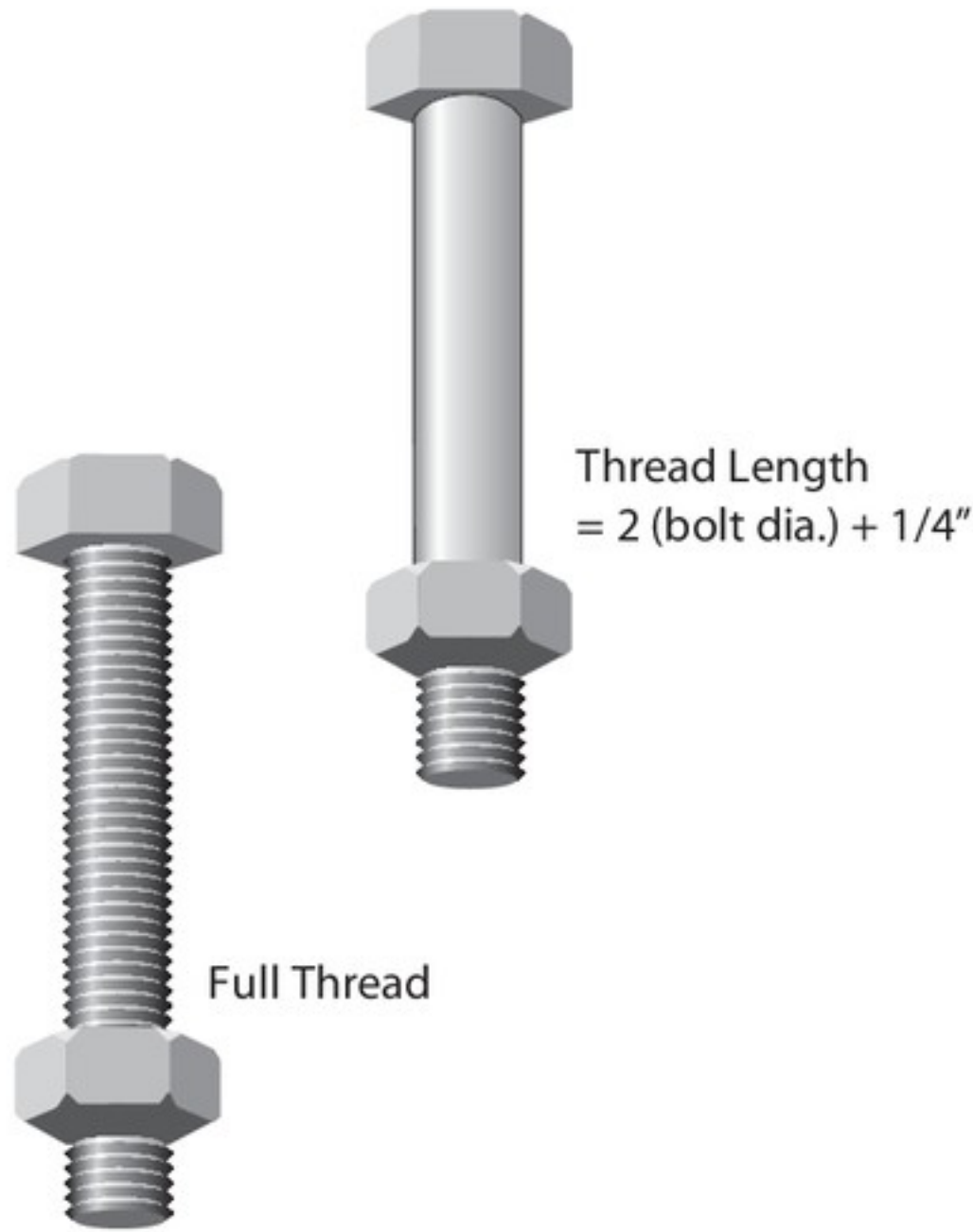
HARDWARE





NUTS, BOLTS & WASHERS

GRADE 5 BOLT ASSEMBLIES, GALVANIZED [HEX BOLTS, NUT & LOCKING DEVICE]



Dia. x Length (inches)	Assembly Part No.	Weight (lbs./100pcs)
5/16 x 2-3/8	210003GA	7/100
3/8 x 1-1/4	210005GA	10/100
3/8 x 1-1/2	210008GA	10/100
3/8 x 2	210009GA	12/100
3/8 x 2-1/2	210011GA	13/100
3/8 x 2-1/2 (Full Thread)	210176GA	13/100
3/8 x 4	210014GA	18/100
3/8 x 4 (Full Thread)	210013GA	18/100
7/16 x 2-1/2	210016GA	17/100
5/8 x 1-3/4	210146GA	35/100
5/8 x 2	210140GA	38/100
5/8 x 3-1/4	210036GA	51/100
5/8 x 3-3/4	210038GA	53/100
3/4 x 4-1/2	210091GA	91/100
7/8 x 3	210062GA	103/100

*Pal nuts included with assembly P/N shown.
See table below for other nut locking devices.*

NUT LOCKING DEVICE OPTIONS [ADD SUFFIX AFTER BOLT ASSEMBLY PART NUMBER]

Suffix	Nut Locking Device
-	Pal Nut
AN	Anco Nut
TLN	Tri-Loc Nut
LW	Split Ring Washer

Example:

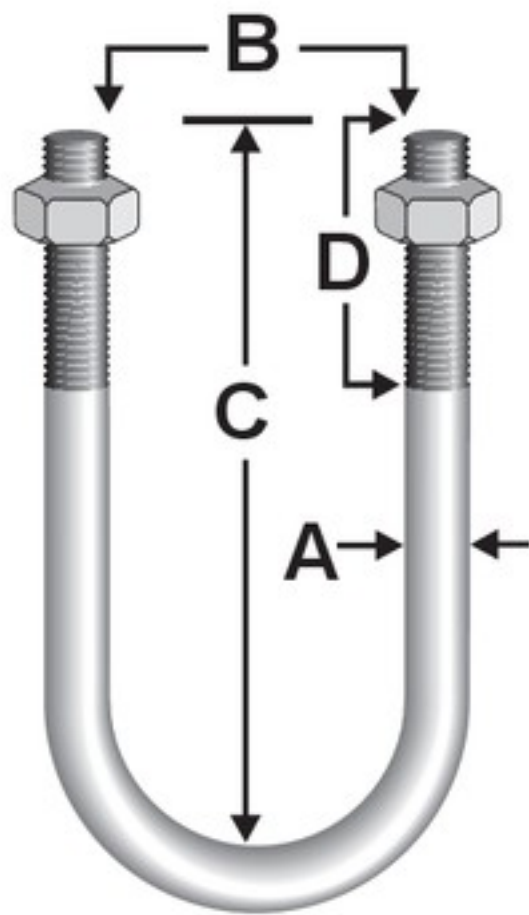
*For 3/8" x 1-1/2" bolt assembly with a split ring lock washer used for a nut locking device, in place of a pal nut, order part number: **210011GALW***

NOTE: To order bolts or other hardware in this catalog without nuts and nut locking devices, remove the "A" from the end of the assembly part number.



NUTS, BOLTS & WASHERS

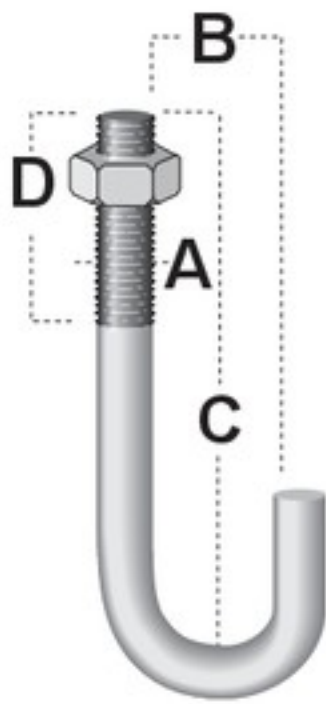
U-BOLTS, ROUND BEND, GALVANIZED A36



Dimensions (inches)				Assy. Part No.	Weight (lbs./100pcs)
A	B	C	D		
1/4	1-1/4	2-1/4	1-3/8	JR45GA	12/100
5/16	1-1/2	2-5/8	1-1/4	JR51A	15/100
5/16	1-1/2	2	1-1/4	JR55A	14/100
5/16	1-11/16	2-1/4	1	JR54A	15/100
3/8	13/16	1-5/8	7/8	JR69A	21/100
3/8	1	2-1/4	1-1/4	JR67A	23/100
3/8	1-1/4	2-3/4	1-5/8	JR66A	31/100
3/8	1-1/2	3	1-3/4	JR65A	29/100
3/8	2-1/8	3	1-1/4	JR68A	31/100
3/8	2-1/2	4	2	JR60A	35/100
3/8	2-1/2	3-1/2	1-1/2	JR61A	33/100
3/8	3-1/2	4-5/8	1-5/8	JR64A	41/100
3/8	4	6	2-1/4	JR62A	42/100
3/8	4-1/2	6-1/2	2-1/4	JR63A	52/100
1/2	3/4	3-1/2	2-1/2	JR81A	60/100
1/2	2	3-3/4	1-3/4	JR810A	63/100
1/2	2-1/4	4-1/2	2-1/4	JR82A	71/100
1/2	2-1/2	4-1/2	2-1/2	JR83A	71/100
1/2	3	5-5/8	3	JR84A	84/100
1/2	3	4-1/8	1-1/2	JR84SA	73/100
1/2	3-1/2	6	3	JR88A	88/100
1/2	4	6-1/2	3-1/2	JR89A	98/100
1/2	4-1/2	6	2-1/4	JR85A	91/100
1/2	5-5/8	8	3-1/4	JR86A	114/100
1/2	6-3/4	9	3-1/4	JR87A	127/100
1/2	8-3/4	11-1/8	2-1/2	JR90SA	188/100
1/2	10-7/8	13	2-1/2	JR110A	198/100
1/2	12-7/8	15	2-1/2	JR120A	243/100
3/4	3	5-3/4	3	JR121A	199/100
3/4	3-1/2	6-1/4	2-3/4	JR122A	263/100
3/4	4	6-3/4	2-1/2	JR123A	284/100
3/4	4-1/2	7-1/4	2-1/2	JR124A	280/100
3/4	5-5/8	8-5/16	2-1/2	JR125A	318/100
3/4	6-3/4	10	3-1/2	JR126STA	390/100
3/4	8-3/4	11-3/8	2-1/2	JR128A	424/100
3/4	10-7/8	13-3/8	2-5/8	JR1210A	517/100
3/4	12-3/4	15	2-1/2	JR1212A	591/100

Pal nuts included with assembly P/N shown.
Add suffix from page 288 for other nut locking device.

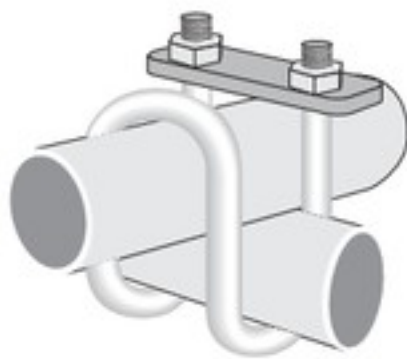
NUTS, BOLTS & WASHERS



J-BOLTS, GALVANIZED A36

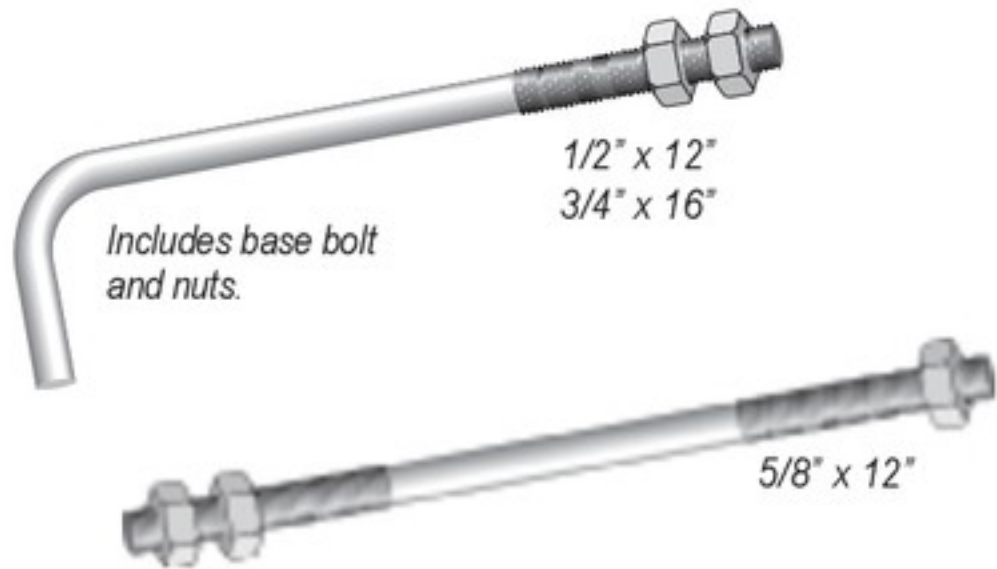
Dimensions (inches)				Assy. Part No.	Weight (lbs./100pcs)
A	B	C	D		
3/8	5/8	4	2-5/8	J44AA	16/100
3/8	5/8	5-11/16	2-3/4	J51A	23/100
3/8	5/8	7-9/16	5-1/2	J170A	35/100
3/8	3/4	2	1-1/2	J167A	10/100

Pal nuts included with assembly P/N shown.
Add suffix from page 288 for other nut locking device.



U-BOLTS, DOUBLE BEND, GALVANIZED A36

Description	Assy. Part No.	Weight (lbs./100pcs)
5/16" dia. (18 THD) For 1-1/4" Tubing	TB5125BA	54/100



BASE BOLT, GALVANIZED

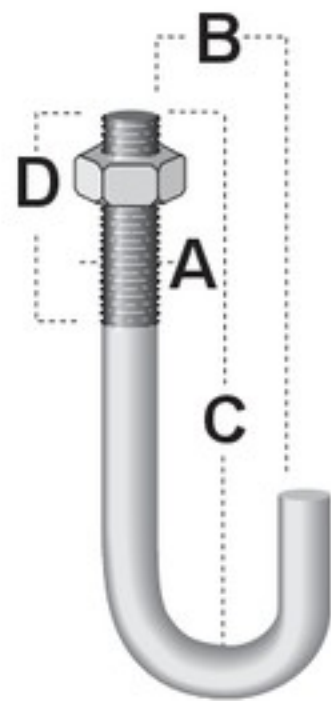
Description	Part No.	Weight (lbs.)
1/2" x 12" + 2" (Hook)	1/2X12BB	1/2 ea.
5/8" x 12"	260145G	1 ea.



STEP BOLT, GALVANIZED

Description	Part No.	Weight (lbs./100pcs)
5/8" x 7" (2-1/2" THD Length)	210042G	84/100
5/8" x 7" (2-1/2" THD Length) With 2 Heavy Hex Nuts	5/8STEP	108/100

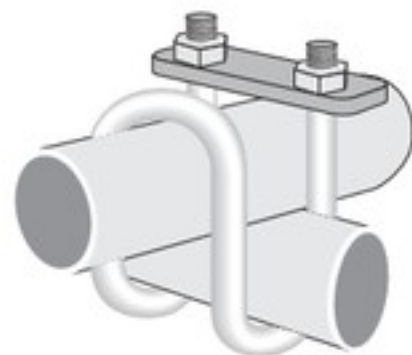
NUTS, BOLTS & WASHERS



J-BOLTS, GALVANIZED A36

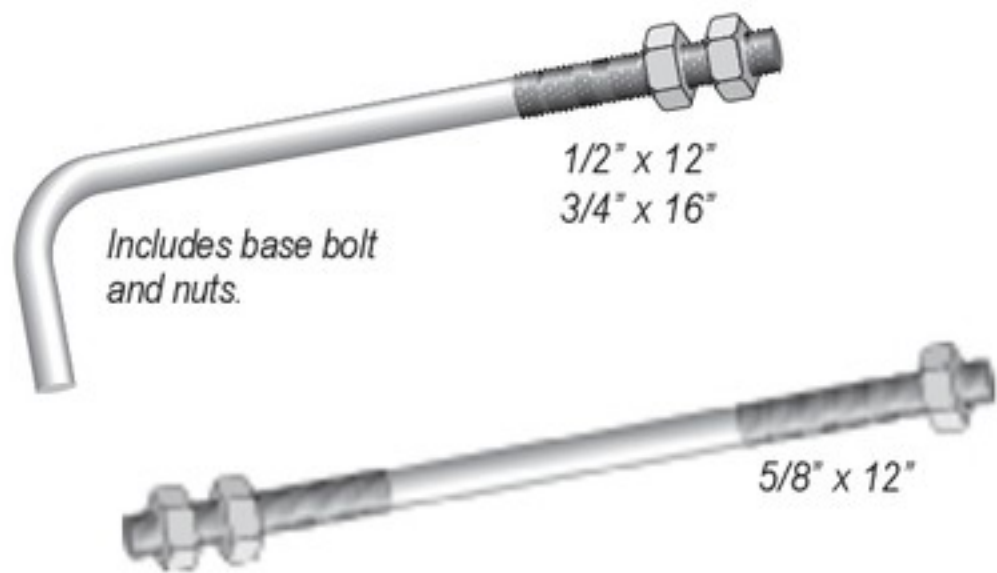
Dimensions (inches)				Assy. Part No.	Weight (lbs./100pcs)
A	B	C	D		
3/8	5/8	4	2-5/8	J44AA	16/100
3/8	5/8	5-11/16	2-3/4	J51A	23/100
3/8	5/8	7-9/16	5-1/2	J170A	35/100
3/8	3/4	2	1-1/2	J167A	10/100

Pal nuts included with assembly P/N shown.
Add suffix from page 288 for other nut locking device.



U-BOLTS, DOUBLE BEND, GALVANIZED A36

Description	Assy. Part No.	Weight (lbs./100pcs)
5/16" dia. (18 THD) For 1-1/4" Tubing	TB5125BA	54/100



BASE BOLT, GALVANIZED

Description	Part No.	Weight (lbs.)
1/2" x 12" + 2" (Hook)	1/2X12BB	1/2 ea.
5/8" x 12"	260145G	1 ea.

STEP BOLT, GALVANIZED



Description	Part No.	Weight (lbs./100pcs)
5/8" x 7" (2-1/2" THD Length)	210042G	84/100
5/8" x 7" (2-1/2" THD Length) With 2 Heavy Hex Nuts	5/8STEP	108/100

NUTS, BOLTS & WASHERS

BEVELED WASHERS, GALVANIZED



Description	Part No.	Weight (lbs./100pcs.)
3/8"	110398	7/100
1/2"	110399	7/100
5/8"	110400	15/100
3/4"	110551	14/100
7/8"	250062G	31/100
1"	110686	28/100

ROHN GUY MATERIALS

THIMBLES, GALVANIZED



Description	Assy. Part No.	Weight (lbs./100pcs.)
1/4" Standard thimble, open for 1/8" to 3/16" guys	1/4TH	4/100
5/16" Heavy duty thimble, open for 3/16" guys	5/16THH	12/100
3/8" Heavy duty thimble, open for 1/4" guys	3/8THH	25/100
7/16" Heavy duty thimble, open for 5/16" guys	7/16THH	30/100
1/2" Heavy duty thimble, open for 3/8" guys	1/2THH	51/100
9/16" Heavy duty thimble, open for 7/16" guys	9/16THH	51/100
5/8" Heavy duty thimble, open for 1/2" or 9/16" guys	5/8THH	75/100
3/4" Heavy duty thimble, open for 5/8" guys	3/4THH	147/100
7/8" Heavy duty thimble, open for 3/4" guys	7/8THH	175/100
1" Heavy duty thimble, open for 7/8" guys	1THH	275/100



ROHN GUY MATERIALS

CABLE CLAMPS, FORGED, GALVANIZED



Description	Part No.	Weight (lbs./100pcs.)
3/16" Cable Clamp, Forged	3/16 CCF	10/100
1/4" Cable Clamp, Forged	1/4 CCF	20/100
5/16" Cable Clamp, Forged	5/16 CCF	30/100
3/8" Cable Clamp, Forged	3/8 CCF	47/100

NUT & PIN TYPE SHACKLES, HEAT TREATED, GALVANIZED



Description	Part No.	Weight (lbs./100pcs.)
3/8" (13,200 lbs. ultimate strength)	3/8S	25/100
1/2" (26,400 lbs. ultimate strength)	1/2S	70/100
5/8" (42,000 lbs. ultimate strength)	5/8S	150/100
3/4" (67,700 lbs. ultimate strength)	3/4S	232/100
7/8" (85,800 lbs. ultimate strength)	7/8S	340/100
1" (112,200 lbs. ultimate strength)	1S	500/100
1-1/8" (125,400 lbs. ultimate strength)	1-1/8S	700/100
1-1/4" (158,400 lbs. ultimate strength)	1-1/4S	975/100

BIG GRIP END SLEEVES, GALVANIZED



Description	Part No.	Weight (lbs./100pcs.)
3/16"	GC65303	3/100
1/4"	GC65136	3/100
5/16"	GG65128	3/100
3/8"	GC65264	5/100
7/16"	GC65265	7/100
1/2"	GC65266	10/100
9/16"	GC65267	11/100
5/8"	GC65268	14/100
3/4"	GC65269	21/100
7/8"	GC65270	27/100
1"	GC65271	32/100

NOTES:

1. Oversized heavy duty thimbles must be used with all Big-Grips.

ROHN GUY MATERIALS

BIG-GRIPS, GALVANIZED
[BIG-GRIP WITH END SLEEVE]



Description	Part No.	Weight (lbs./100pcs.)
3/16"	BG2142	33/100
1/4"	BG2144	50/100
5/16"	BG2146	82/100
3/8"	BG2147	112/100
7/16"	BG2148	188/100
1/2"	BG2115	315/100
9/16"	BG2116	480/100
5/8"	BG2111	650/100
3/4"	BG2112	1080/100
7/8"	BGMS7023	1125/100

TURNBUCKLES, HEAT-TREATED, GALVANIZED



Thread Diameter x Take Up	Type	Part No.	Weights (lbs.)
3/8" x 6" (6,000 lbs. ultimate strength)	EE	3/8TBE&E	1
3/8" x 6" (6,000 lbs. ultimate strength)	EJ	3/8TBE&J	1
1/2" x 12" (11,000 lbs. ultimate strength)	EE	1/2TBE&E	2
1/2" x 12" (11,000 lbs. ultimate strength)	EJ	1/2TBE&J	2
5/8" x 12" (17,500 lbs. ultimate strength)	EJ	5/8TBE&J	4
3/4" x 12" (26,000 lbs. ultimate strength)	EJ	3/4TBE&J	5
7/8" x 12" (36,000 lbs. ultimate strength)	EJ	7/8TBE&J	8
1" x 12" (50,000 lbs. ultimate strength)	EJ	1TBE&J	11
1-1/4" x 18" (76,000 lbs. ultimate strength)	EJ	11/4X18TB	24
1-1/2" x 18" (107,000 lbs. ultimate strength)	EJ	11/2X18TB	35
1-3/4" x 18" (140,000 lbs. ultimate strength)	EJ	13/4X18TB	54

EYE BOLT, GALVANIZED



Description	Part No.	Weight (lbs.)
5/8" x 18" Eye Bolt with Nuts	260004P	2

SCREW ANCHOR, GALVANIZED



Description		
1/2" dia. x 30" long (4" auger)		
5/8" dia. x 48" long (6" auger)		

ROHN GUY MATERIALS

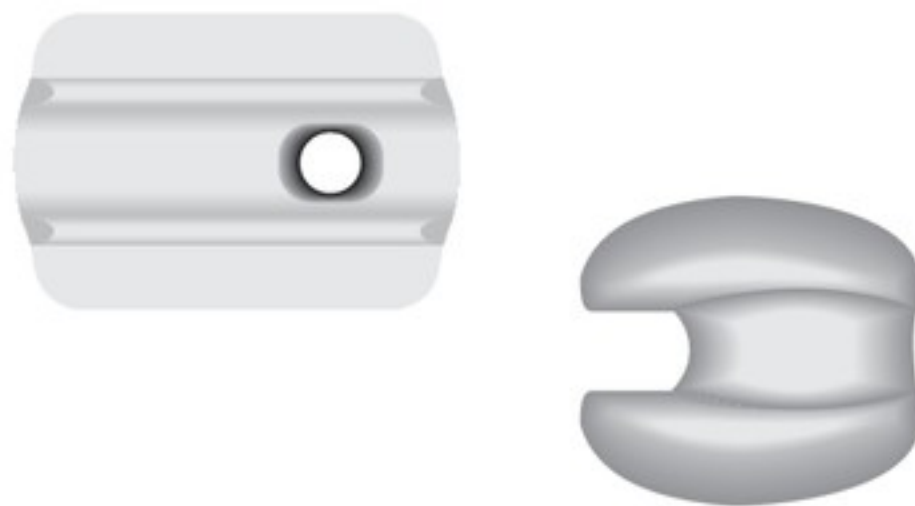
GUYS, GALVANIZED



Description	Part No.	Weight (lbs.)
6 Strand, 18GA - 1,000' coil (610 lbs. ultimate strength)	618	42
3/16" - 500' coil (3,990 lbs. ultimate strength)	3/16EHS500	36
3/16" - 1,000' coil (3,990 lbs. ultimate strength)	3/16EHS1000	73
3/16" - cut length* (3,990 lbs. ultimate strength)	3/16EHS	73/MFT
1/4" - 500' coil (6,650 lbs. ultimate strength)	1/4EHS500	60
1/4" - 1,000' coil (6,650 lbs. ultimate strength)	1/4EHS1000	120
1/4" - cut length* (6,650 lbs. ultimate strength)	1/4EHS	120/MFT
5/16" - cut length* (11,200 lbs. ultimate strength)	142265	205/MFT
3/8" - cut length* (15,400 lbs. ultimate strength)	142261	279/MFT
7/16" - cut length* (20,800 lbs. ultimate strength)	142260	399/MFT
1/2" - cut length* (26,900 lbs. ultimate strength)	142259	517/MFT
9/16" - cut length* (35,000 lbs. ultimate strength)	142258	671/MFT
5/8" - cut length* (42,400 lbs. ultimate strength)	142264	813/MFT
3/4" - cut length* (58,300 lbs. ultimate strength)	142257	1155/MFT
7/8" - cut length* (79,700 lbs. ultimate strength)	142256	1581/MFT
1" - cut length* (122,000 lbs. ultimate strength)	1BS	2100/MFT

*Please provide desired guy length with order.

MFT = 1,000 FT



GUY STRAIN INSULATORS, PORCELAIN

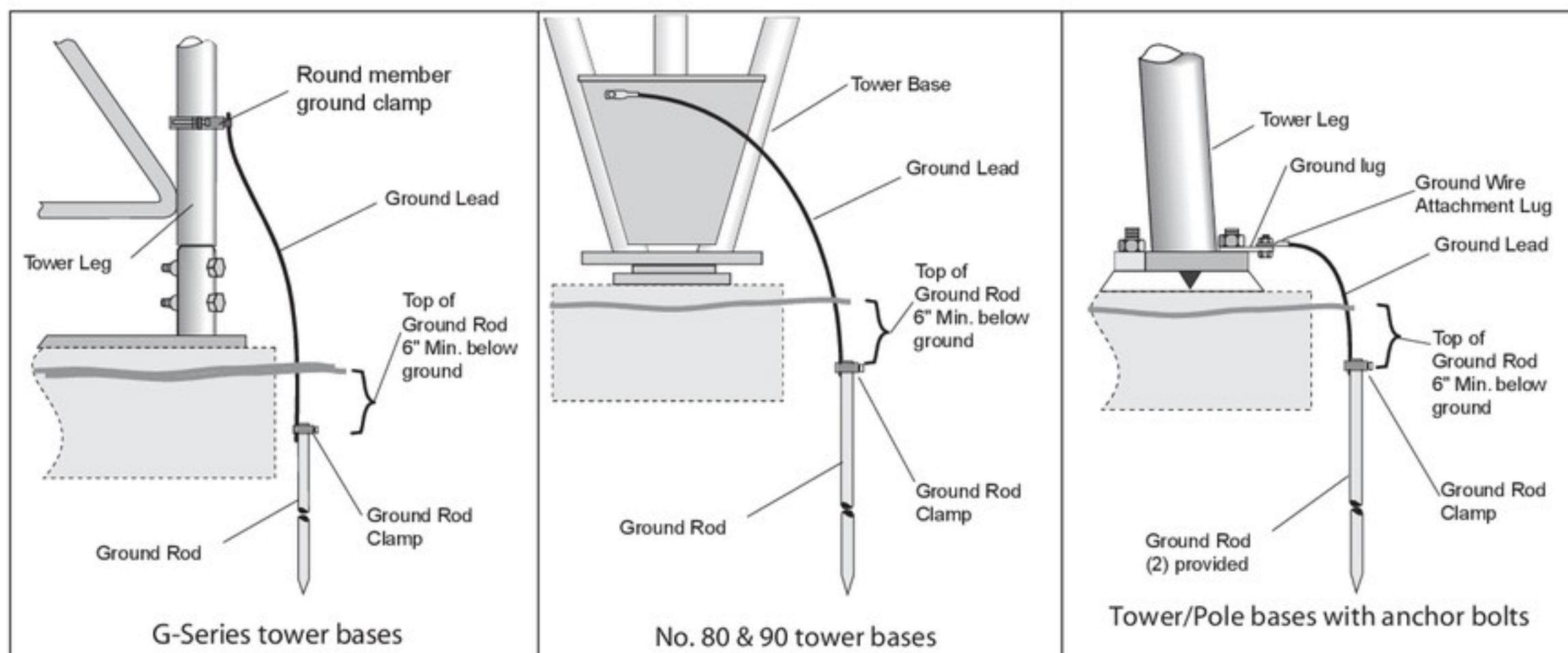
Description	Part No.	Weight (lbs.)
10,000 lbs. ultimate strength	502	1
12,000 lbs. ultimate strength	504	1.5
20,000 lbs. ultimate strength	506	3

GRIPPLE GRIP

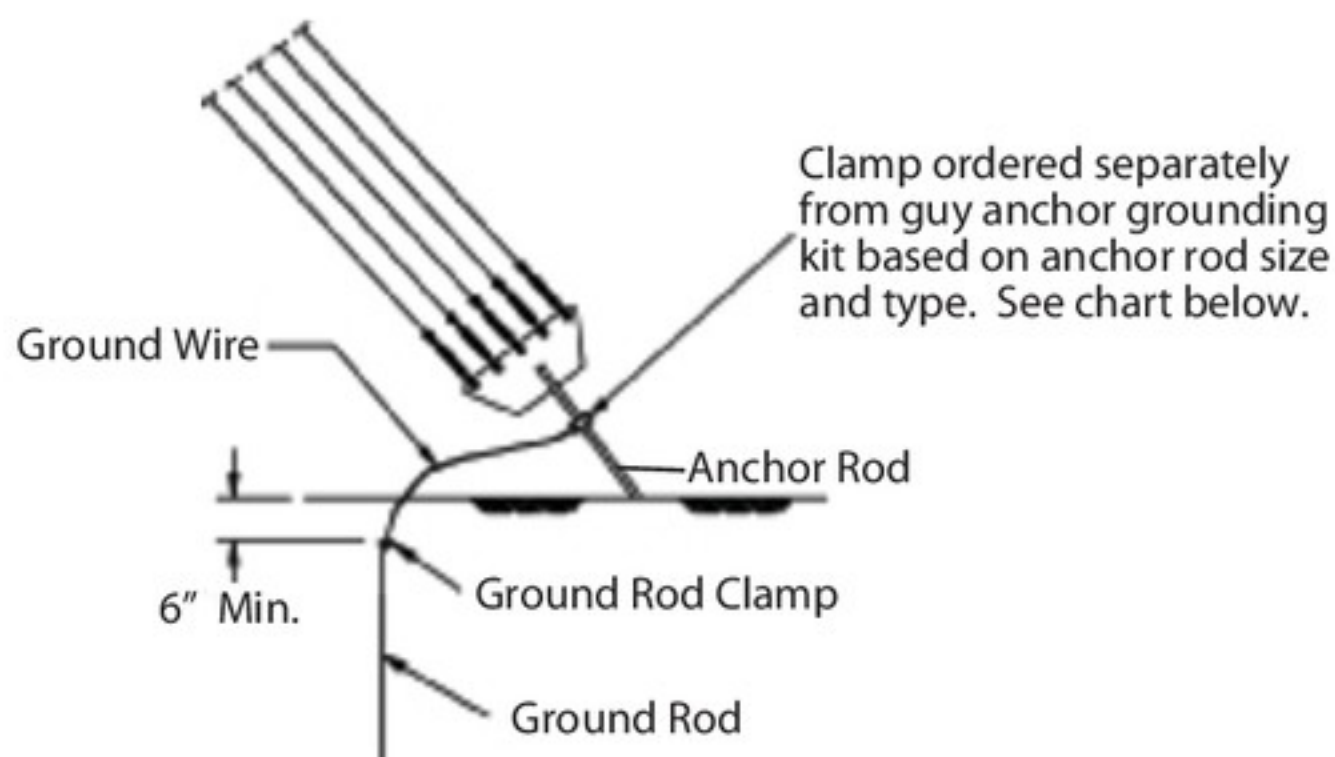


Description	Part No.
Gripple Grip for 6 strand, 18 GA guy installation	61820GRPL

ROHN REV G GROUNDING



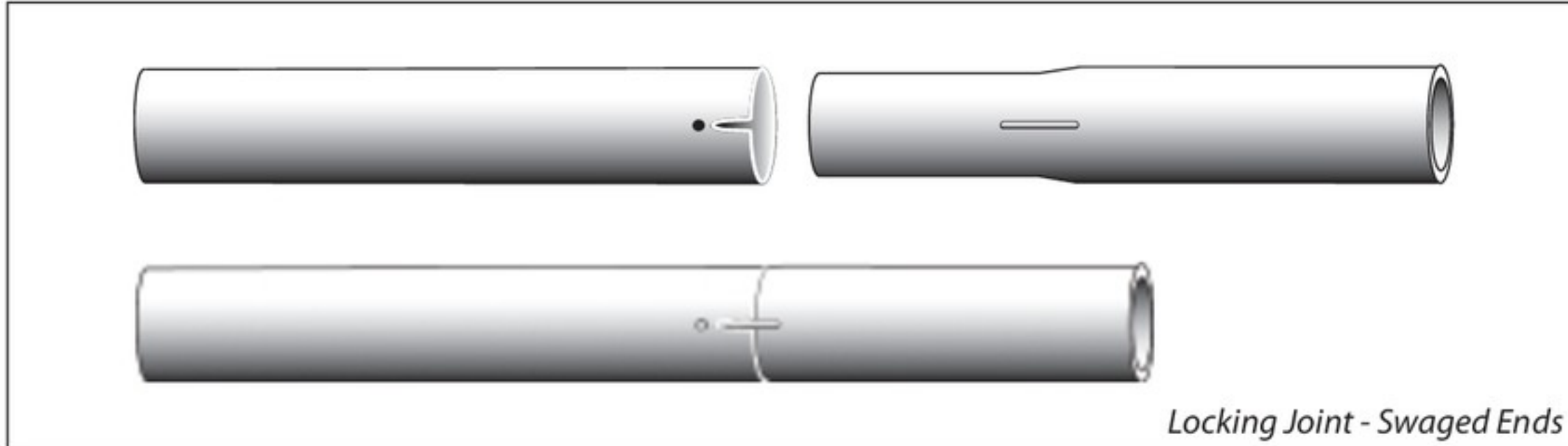
GUY ANCHOR GROUNDING KIT



Tower Type	Description	Kit Part No.	No. of Kits Required
Guyed Masts	80 & 90 Tower Base Grounding Kit	BGK1GGX	3 per tower
	55G & 65G Base Grounding Kit	BGK2GGX	3 per tower
	25G & 45G Base Grounding Kit	BGK3GGX	3 per tower
	Guy Anchor Grounding Kit	AGK1GGX	1 per each anchor radius
	Guy Anchor Clamp for 1/2" - 3/4" O.D. Rods	CPC.5/.75	1 per anchor
	Guy Anchor Clamp for 1" - 1-1/4" O.D. Rods	CPC1/1.25	1 per anchor
	Guy Anchor Clamp for 1-1/2" - 2" O.D. Rods	CPC1.5/2	1 per anchor
	Guy Anchor Clamp for Angle Anchor Rods	213	1 per anchor
Self-Supporting Structures	1/2" Anchor Bolt Grounding Kit	BGK4GGX	3 per tower/pole
	5/8" Anchor Bolt Grounding Kit	BGK5GGX	3 per tower/pole
	3/4" Anchor Bolt Grounding Kit	BGK6GGX	3 per tower/pole
	7/8" Anchor Bolt Grounding Kit	BGK7GGX	3 per tower/pole
	1" Anchor Bolt Grounding Kit	BGK8GGX	3 per tower/pole



STEEL TUBING

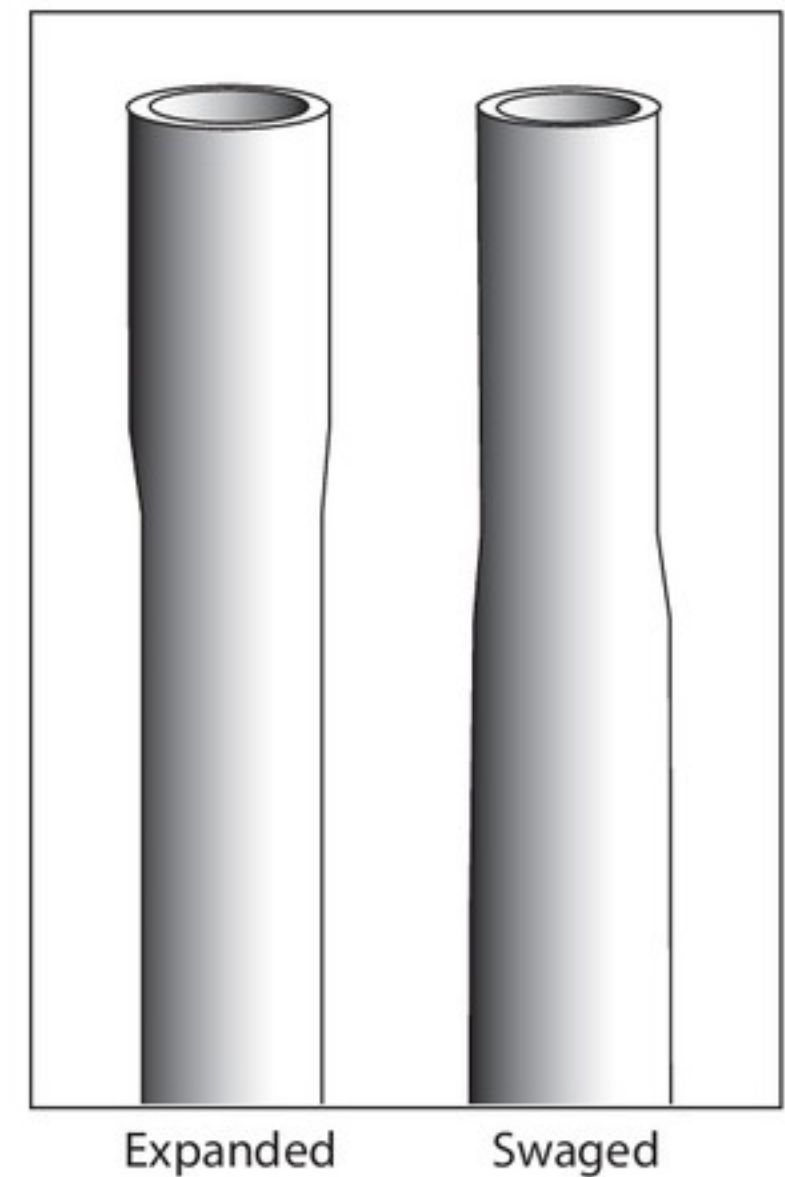


ROHN offers both swaged and expanded 16 GA. tubing, commonly used with our roof and wall mounts.

Swaged - This tubing has a locking joint. When tubing is swaged, the metal is compressed and made thicker so that the joint is stronger than the original material. Swaging also eliminates the "joint bulge" common with expanded tubing.

Expanded - A tube with an expanded end used along with a tube with a plain end.

ROHN tubing is offered in two types of finishes, hot-dip galvanized and pre-galvanized. ROHN's hot-dip galvanized tubing is fabricated from high strength steel, then immersed in molten zinc giving all surfaces, including the interior, an even coating of zinc for maximum corrosion protection. There are no seams, holes or edges left uncoated. Pre-galvanized tubing is made from a coil of steel which is galvanized at the steel mill, cut into strips, and then formed into a piece of tubing. Where the tubing is welded, zinc is sprayed over the weld to give it protection. It has a slightly uncoated seam on the inside and ends.



TUBING SPECIFICATIONS

Tubing Part No.	End Type	Description	Finish
160505GHS	Swaged	1-1/4" O.D. x 16 GA. x 5' long	Hot-Dip Galvanized
160505PHS	Swaged	1-1/4" O.D. x 16 GA. x 5' long	Pre-Galvanized
160506PLX	Expanded	1-1/2" O.D. x 16 GA. x 5' long	Pre-Galvanized
161005GHS	Swaged	1-1/4" O.D. x 16 GA. x 10' long	Hot-Dip Galvanized
161005PHS	Swaged	1-1/4" O.D. x 16 GA. x 10' long	Pre-Galvanized

MOUNTING TUBES HOT-DIP GALVANIZED

Standard

Description	Length	Part Number	Weight (lbs.)
2.38" O.D. x 0.154" wall	5'	KH275	20
2.38" O.D. x 0.154" wall	6'	KH1256	24
2.38" O.D. x 0.154" wall	6' 8"	KH281	26
2.38" O.D. x 0.154" wall	8'	KY1304	30
2.38" O.D. x 0.154" wall	10'	KH287	39
2.38" O.D. x 0.154" wall	12'	KH365	47
2.38" O.D. x 0.154" wall	14'	KH2805	55
2.38" O.D. x 0.154" wall	16'	KH2806	62
2.38" O.D. x 0.154" wall	18'	KH2807	70
2.88" O.D. x 0.203" wall	5'	KH276	31
2.88" O.D. x 0.203" wall	6'	KH2576	37
2.88" O.D. x 0.203" wall	6' 8"	KH282	41
2.88" O.D. x 0.203" wall	8'	KH2541	50
2.88" O.D. x 0.203" wall	10'	KH288	62
2.88" O.D. x 0.203" wall	12'	KH366	74
2.88" O.D. x 0.203" wall	14'	KH2802	86
2.88" O.D. x 0.203" wall	16'	KH2803	99
2.88" O.D. x 0.203" wall	18'	KH2804	111
2.88" O.D. x 0.203" wall	20'	KH4813	123
4.50" O.D. x 0.237" wall	5'	KH279	58
4.50" O.D. x 0.237" wall	6' 8"	KH285	77
4.50" O.D. x 0.237" wall	8'	KH2447	92
4.50" O.D. x 0.237" wall	10'	KH291	115
4.50" O.D. x 0.237" wall	12'	KH369	138
4.50" O.D. x 0.237" wall	14'	KH2509	161

Extra Heavy

Description	Length	Part Number	Weight (lbs.)
2.38" O.D. x 0.218" wall	5'	KH1193	27
2.38" O.D. x 0.218" wall	6' - 8"	KH1194	36
2.38" O.D. x 0.218" wall	8'	KH2229	43
2.88" O.D. x 0.276" wall	5'	KH1200	41
2.88" O.D. x 0.276" wall	6' - 8"	KH1201	55
2.88" O.D. x 0.276" wall	8'	KH2987	65
2.88" O.D. x 0.276" wall	10'	KH1202	82
2.88" O.D. x 0.276" wall	12'	KH1203	98
2.88" O.D. x 0.276" wall	14'	KH5768	114
4.50" O.D. x 0.337" wall	5'	KH1221	80
4.50" O.D. x 0.337" wall	6' - 8"	KH1222	106
4.50" O.D. x 0.337" wall	8'	KH1977	127
4.50" O.D. x 0.337" wall	10'	KH1223	159
4.50" O.D. x 0.337" wall	12'	KH1224	191
4.50" O.D. x 0.337" wall	16'	KH3614	254
4.50" O.D. x 0.337" wall	18'	KH5627	286



MISCELLANEOUS



PAINT

Description	Part No.	Weight (lbs.)
Tower Paint, Orange, Acrylic Latex	PNTNPO5	11/gal.
Tower Paint, White, Acrylic Latex	PNTNPW9	11/gal.



COLD GALVANIZE

Description	Part No.	Weight (lbs.)
Cold Galvanize, Spray	380063	1/can
Cold Galvanize, Gallon	380147	1/gal.

NOTES