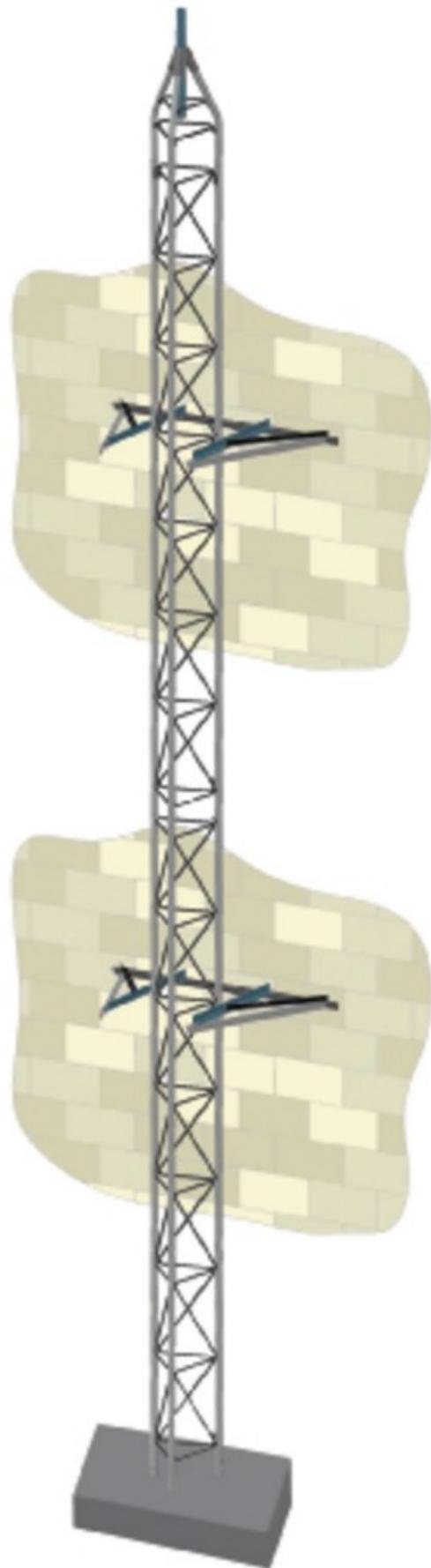


BRACKETED TOWERS



STANDARD G-SERIES BRACKETED

G-SERIES (BRACKETED)



Typical installation on short base with (2) HBUTVRO brackets.

(Refer to G-Series accessories for short base)

GENERAL USE

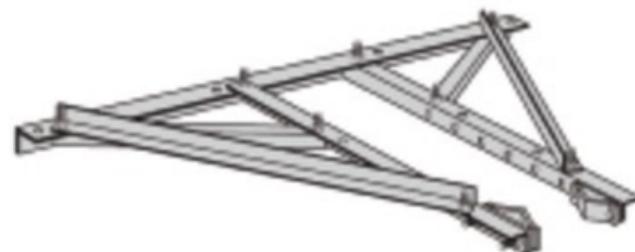
ROHN G-Series Bracketed towers can be installed adjacent to buildings using brackets to secure the tower along the height of the structure.

FEATURES

- Completely hot-dip galvanized after fabrication
- Cross bracing is formed by a continuous solid rod bracing fashioned into a Zig-Zag pattern for strength
- Pre-engineered loading charts to meet varying individual specs and site conditions
- Typical uses include: small dishes, broadband, security and two-way communication.

OPTIONAL ACCESSORY

**UNIVERSAL HOUSE BRACKET
HBUTVRO**



Adjustable to position tower 18" - 36" from wall.

* Per Rev. G requirements, any structure greater than 10' requires a climber safety device. Please see page 209 for ordering information.

25G BRACKETED ALLOWABLE ANTENNA AREAS

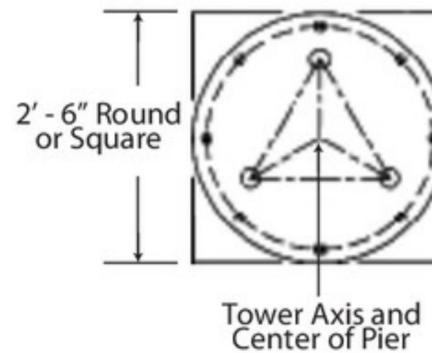
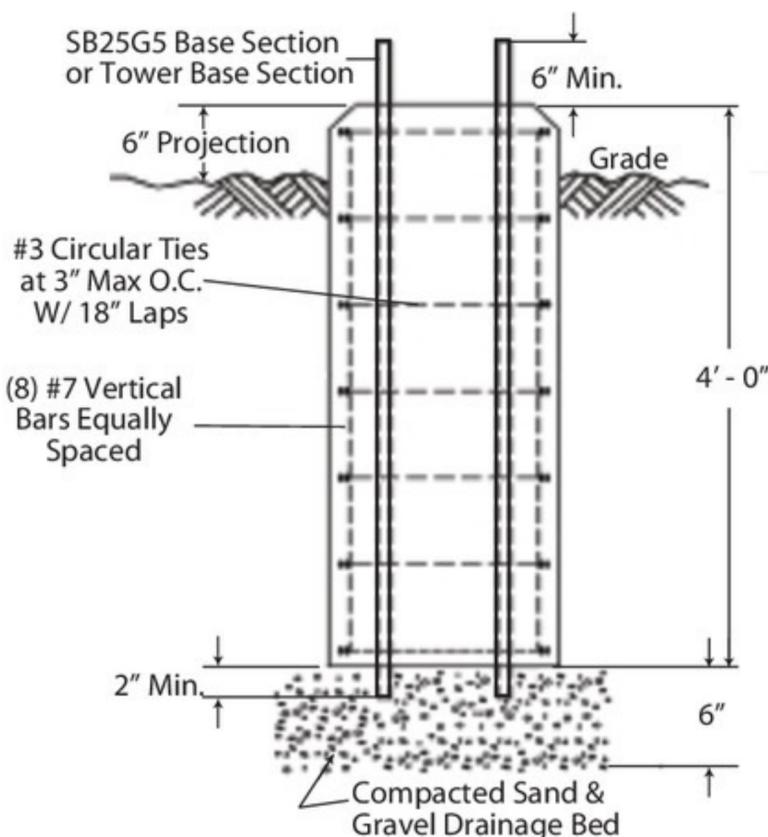
Tower Height (FT.)	Bracket Elevations		Allowable Antenna Areas (SQ. FT.)		
	Upper (FT.)	Lower (FT.)	70 [85] MPH	80 [95] MPH	90 [105] MPH
40	30.0	15.0	15.3	11.3	7.7
50	36.0	18.0	14.6	10.0	6.8
60	46.0	23.0	14.0	8.9	5.9
70	56.0	28.0	13.5	8.3	5.5
80	66.0	33.0	13.1	7.7	5.0
90	66.0	33.0	6.8	4.9	-
100	66.0	33.0	1.7	-	-

25G

1. Tower designs are in accordance with ANSI/EIA-222-F. Wind speeds indicated as fastest mile [3-second gust].
2. All towers must have "fixed bases" with both bracket elevations. Pinned bases must not be used.
3. Designs assume one 5/8" transmission line on each face (total=3), symmetrically placed.
4. Antennas and mounts assumed symmetrically placed at tower apex.
5. Allowable antenna areas assume all round antenna members.
6. Allowable flat-plate antenna areas, based on EIA RS-222-C, may be obtained by multiplying areas shown by 0.6.
7. All brackets are to be ROHN (P/N HBUTVRO).
8. The interface of tower brackets to supporting structure is to be designed by others and must support a minimum horizontal force of 815 lbs.
9. Foundation designs are in accordance with ANSI/TIA/EIA-222-F, "Structural Standards for Steel Antenna Towers and Antenna Supporting Structures", Section 7, for "Normal" soil conditions. "Normal" soil is defined as dry, cohesive soil with an allowable net vertical bearing capacity of 4000 PSF and an allowable net horizontal pressure of 400 PSF per linear foot of depth to a maximum of 4000 PSF.

Refer to pages 147-153 for General Installation and Foundation Notes.

FOUNDATION INFORMATION



VOLUME OF CONCRETE	
Square Pier	= 1.0 cu. yds.
Round Pier	= 0.8 cu. yds.

45G BRACKETED ALLOWABLE ANTENNA AREAS

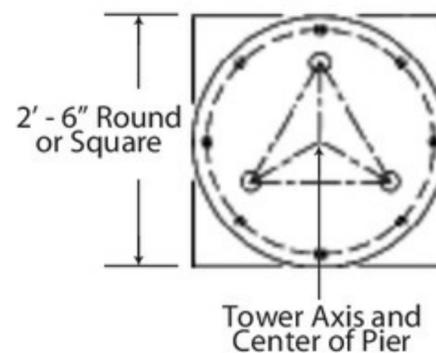
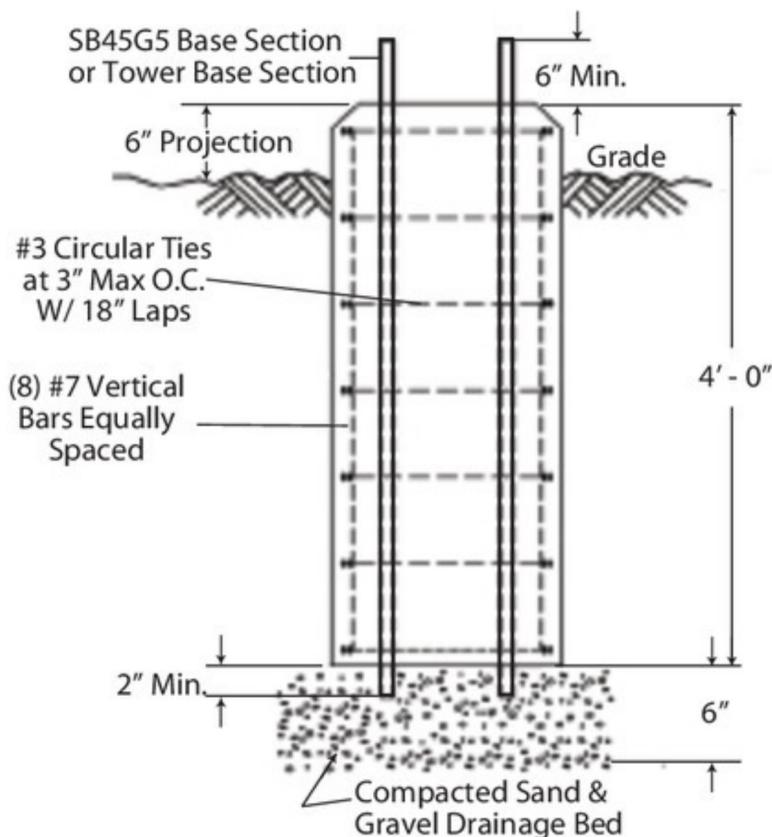
45G

Tower Height (FT.)	Bracket Elevations		Allowable Antenna Areas (SQ. FT.)		
	Upper (FT.)	Lower (FT.)	70 [85] MPH	80 [95] MPH	90 [105] MPH
40	30.0	15.0	36.7	27.4	21.0
50	36.0	18.0	34.8	25.9	20.0
60	46.0	23.0	33.3	24.7	19.0
70	56.0	28.0	32.0	23.8	17.0
80	66.0	33.0	31.0	23.0	12.0
90	66.0	33.0	13.8	9.3	5.3
100	66.0	33.0	5.5	2.0	-

1. Tower designs are in accordance with ANSI/EIA-222-F. Wind speeds indicated as fastest mile [3-second gust].
2. All towers must have "fixed bases" with both bracket elevations. Pinned bases must not be used.
3. Designs assume one 5/8" transmission line on each face (total=3), symmetrically placed.
4. Antennas and mounts assumed symmetrically placed at tower apex.
5. Allowable antenna areas assume all round antenna members.
6. Allowable flat-plate antenna areas, based on EIA RS-222-C, may be obtained by multiplying areas shown by 0.6.
7. All brackets are to be ROHN (P/N HBUTVRO).
8. The interface of tower brackets to supporting structure is to be designed by others and must support a minimum horizontal force of 1810 lbs.
9. Foundation designs are in accordance with ANSI/TIA/EIA-222-F, "Structural Standards for Steel Antenna Towers and Antenna Supporting Structures", Section 7, for "Normal" soil conditions. "Normal" soil is defined as dry, cohesive soil with an allowable net vertical bearing capacity of 4000 PSF and an allowable net horizontal pressure of 400 PSF per linear foot of depth to a maximum of 4000 PSF.

Refer to pages 147-153 for General Installation and Foundation Notes.

FOUNDATION INFORMATION



VOLUME OF CONCRETE	
Square Pier	= 1.0 cu. yds.
Round Pier	= 0.8 cu. yds.

55G BRACKETED ALLOWABLE ANTENNA AREAS

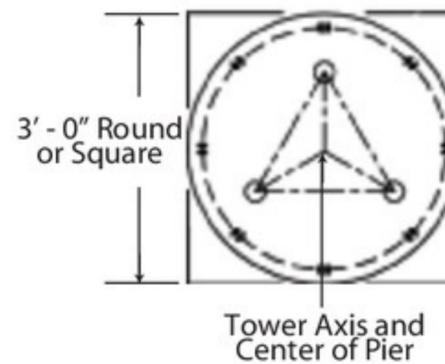
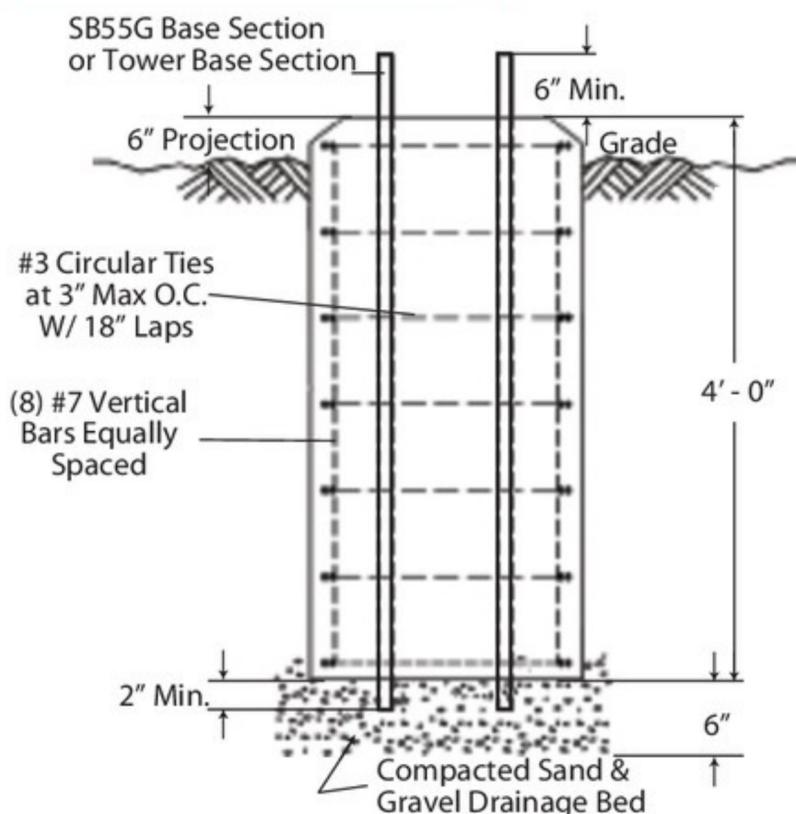
Tower Height (FT.)	Bracket Elevations		Allowable Antenna Areas (SQ. FT.)		
	Upper (FT.)	Lower (FT.)	70 [85] MPH	80 [95] MPH	90 [105] MPH
40	30.0	15.0	72.4	54.5	41.8
50	36.0	18.0	68.7	51.7	39.4
60	46.0	23.0	65.8	49.5	37.6
70	56.0	28.0	63.5	47.5	36.0
80	66.0	33.0	61.4	46.0	34.6
90	66.0	33.0	30.6	22.0	16.0
100	66.0	33.0	16.0	10.5	6.4

55G

1. Tower designs are in accordance with ANSI/EIA-222-F. Wind speeds indicated as fastest mile [3-second gust].
2. All towers must have "fixed bases" with both bracket elevations. Pinned bases must not be used.
3. Designs assume one 5/8" transmission line on each face (total=3), symmetrically placed.
4. Antennas and mounts assumed symmetrically placed at tower apex.
5. Allowable antenna areas assume all round antenna members.
6. Allowable flat-plate antenna areas, based on EIA RS-222-C, may be obtained by multiplying areas shown by 0.6.
7. All brackets are to be ROHN (P/N HBUTVRO).
8. The interface of tower brackets to supporting structure is to be designed by others and must support a minimum horizontal force of 3200 lbs.
9. Foundation designs are in accordance with ANSI/TIA/EIA-222-F, "Structural Standards for Steel Antenna Towers and Antenna Supporting Structures", Section 7, for "Normal" soil conditions. "Normal" soil is defined as dry, cohesive soil with an allowable net vertical bearing capacity of 4000 PSF and an allowable net horizontal pressure of 400 PSF per linear foot of depth to a maximum of 4000 PSF.

Refer to pages 147-153 for General Installation and Foundation Notes.

FOUNDATION INFORMATION



VOLUME OF CONCRETE	
Square Pier	= 1.4 cu. yds.
Round Pier	= 1.1 cu. yds.

