



STANDARD 80 SERIES GUYED TOWER

80 SERIES

GENERAL USE

The ROHN Model 80 Guyed Tower is designed with variable sized legs and braces to allow construction to heights of 1000'. This tower uses solid or tubular legs with angle or tubular braces to support microwave, cellular, PCS, AM/FM or TV applications. The tower is designed on an equilateral triangle of 41" center-to-center of each leg. The variable leg and brace sizes allow flexibility in design so a tower can be created specifically for your unique requirements.

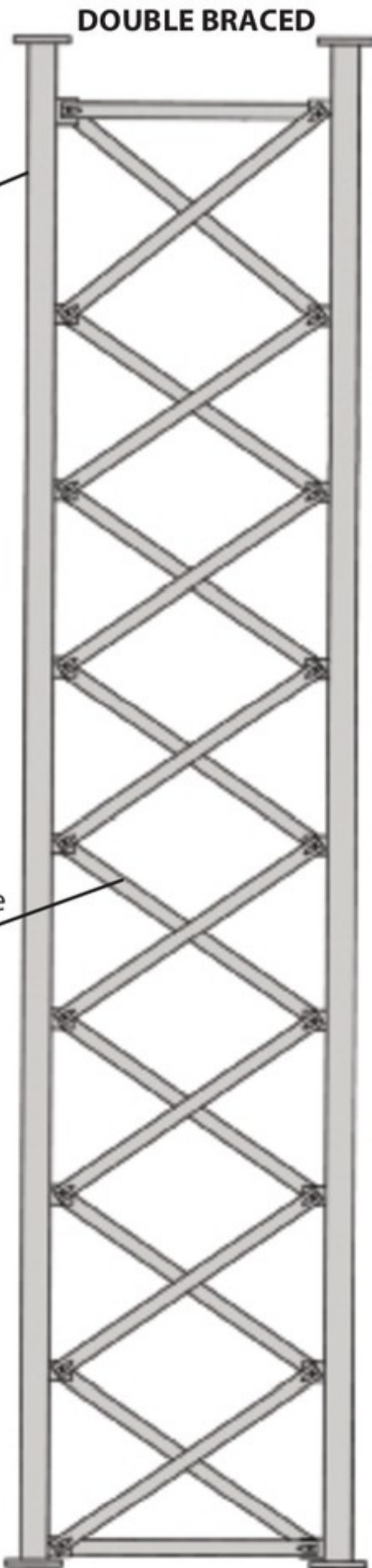
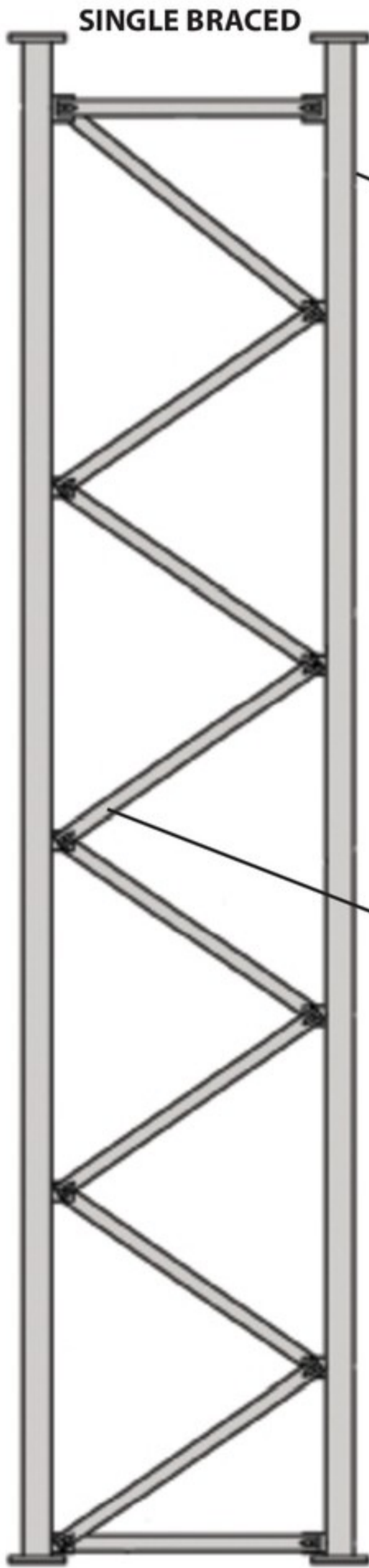
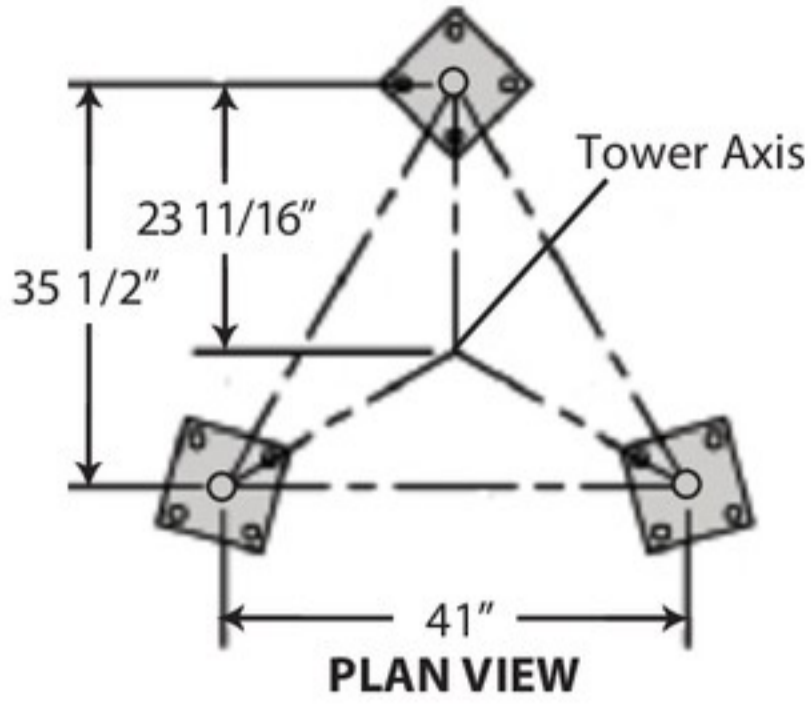
FEATURES

- Solid or Tubular Legs
- Angle or Tubular Braces
- Completely hot-dip galvanized after fabrication
- Easily reinforced for additional loading capability
- Multiple section lengths available
- Guy lug and torque arm sections available

Per Rev G requirements, any structure greater than 10' requires a climber safety device. Please contact ROHN for ordering information.



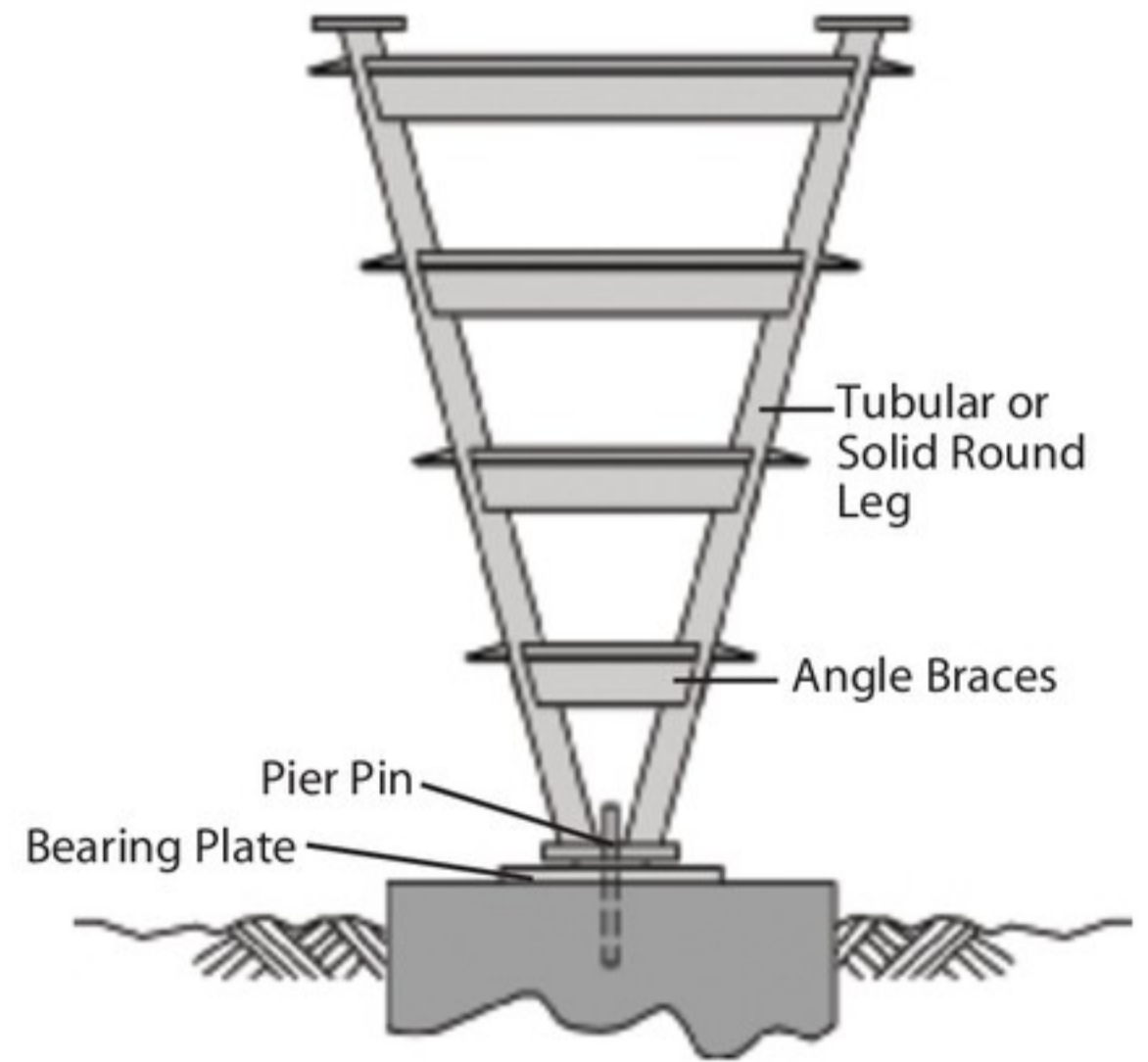
STANDARD 80 GUYED TOWER SECTIONS



Tubular or Solid Round Legs

Tubular or Angle Bracing

20' STANDARD SECTION



5' TAPERED BASE

80 Sections have several custom designs available depending on your particular specifications. Sections are available with a variety of different wall thicknesses, bracing patterns and lengths.



STANDARD 90 SERIES GUYED TOWER

90 SERIES

GENERAL USE

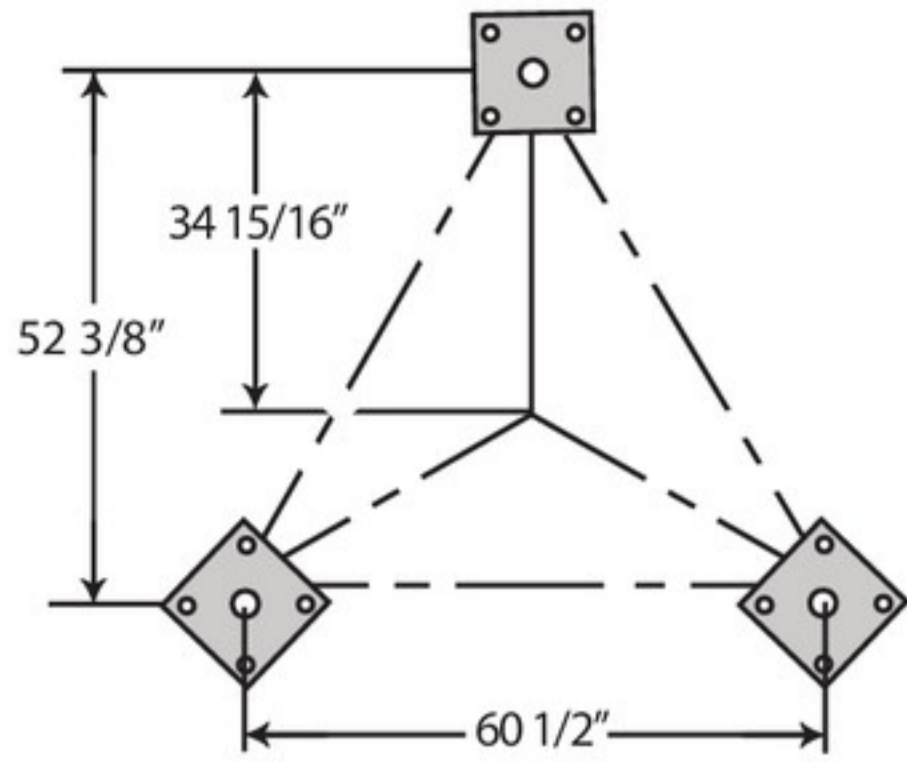
The ROHN Model 90 Guyed tower is designed specifically for microwave installations, cellular, PCS, other heavy duty communication, TV and FM broadcast and meteorological equipment installations. This series has a rating for installations up to 1500', using variable size and weight of tubular or solid steel components. The tower is designed on an equilateral triangle of 60 1/2" center-to-center of each leg. The "X" brace design of the 90 series maximizes strength in critical areas as well as allows for future upgrading of the tower for additional loads.

FEATURES

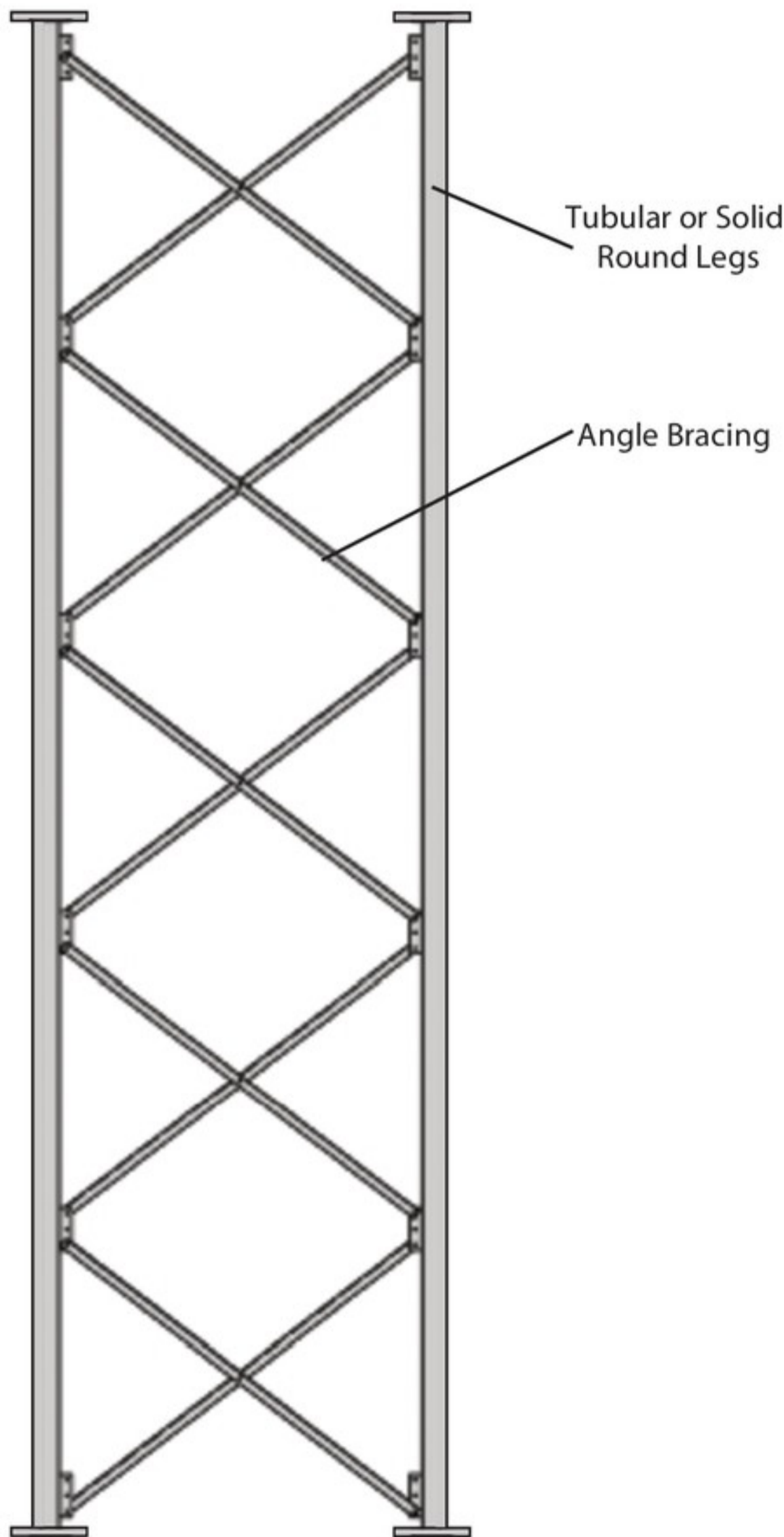
- Solid or Tubular Legs
- Angle Braces
- Completely hot-dip galvanized after fabrication
- Easily reinforced for additional loading capability
- Multiple section lengths available
- Guy lug and torque arm sections available

Per Rev G requirements, any structure greater than 10' requires a climber safety device. Please contact ROHN for ordering information.

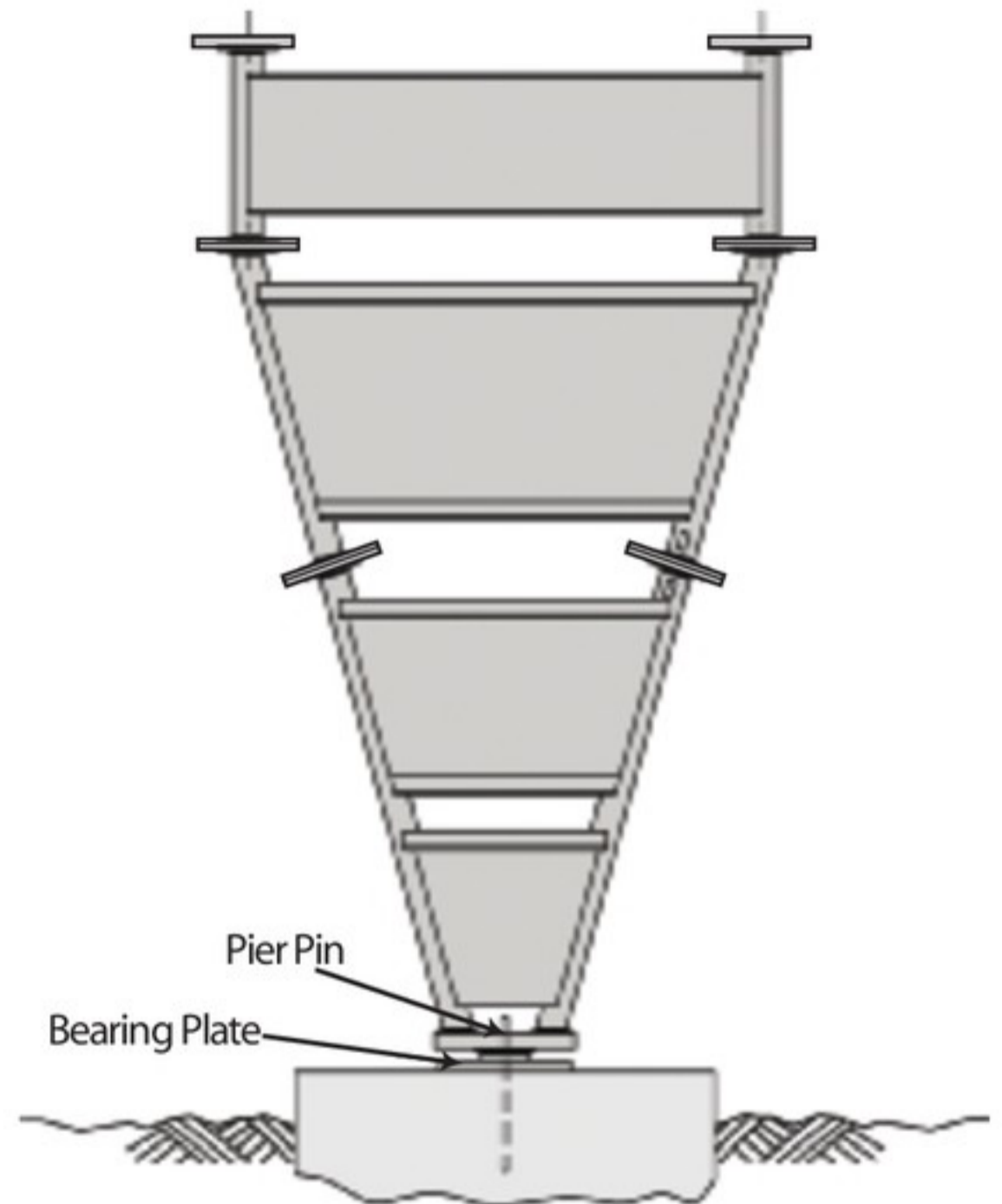
STANDARD 90 GUYED TOWER SECTIONS



Custom designs with larger face widths are available for broadcast and other applications.



**ELEVATION
20' STANDARD SECTION**



**TAPERED BASE
STANDARD - 10'
Also available in 8'**

90 Sections have several custom designs available depending on your particular specifications. Sections are available with a variety of different wall thicknesses, bracing patterns and lengths.

NOTES