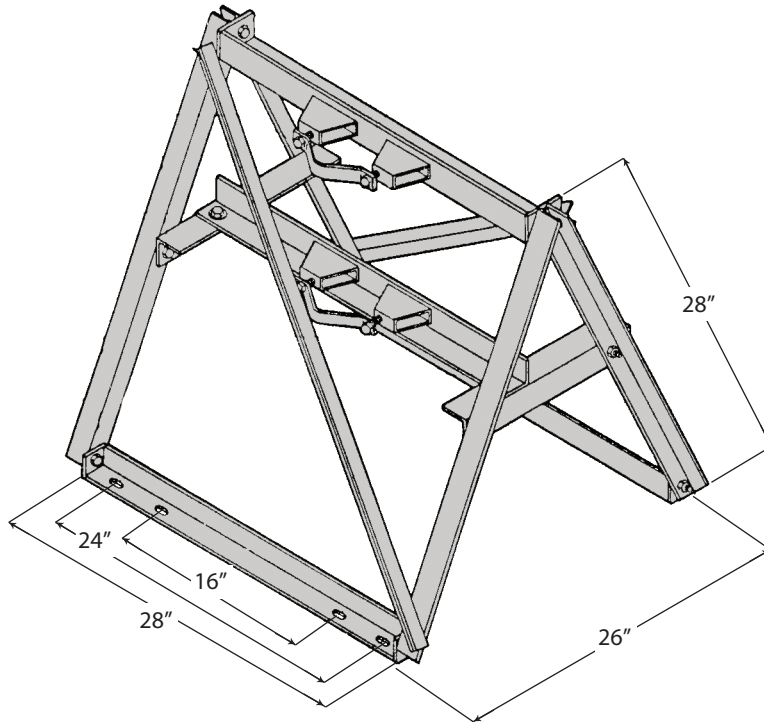


SHRM

ROHN's Saw Horse Roof Mount (SHRM) is capable of supporting most TVRO, PCS, Cellular, and Microwave antennas. The SHRM allows for placement of antennas on the roof peak with up to a 12"/12" pitched roof. The SHRM is also able to be installed on flat roofs. Installation is easy because of the quick adaptability, plus there's no need for concrete blocks. The URM is hot-dip galvanized after fabrication, and can easily ship UPS.



Optional Pipe - Ordered Separately

P2530	2-1/2" (2-7/8" O.D.) x 30" Long
P330	3" (3-1/2" O.D.) x 30" Long
P3530	3-1/2" (4" O.D.) x 30" Long
P430	4" (4-1/2" O.D.) x 30" Long

Notes:

1. SHRM can be used on a flat roof or on a roof peak, up to 45 degrees maximum pitch.
2. SHRM can be used with 2-7/8" to 4" O.D. pipe or tube (ordered separately), 30" max length, per dish bracket requirements.
3. Bottom of mount pivots to match roof pitch.
4. Roof must be reinforced before installing mount.
5. Fasten mount to roof with a hardware mounting kit (ordered separately).
6. All hardware and parts are hot-dip galvanized after fabrication.
7. This antenna mount is designed in accordance with ANSI A58.1 minimum design loads for buildings and other structures, exposure B, 70 MPH, for a maximum 10' diameter solid, grid or mesh dish with mounting pipe extended maximum of 1'-6" above top of mount (max. effective projected area = 94 sq. ft.).
8. It is the purchaser's responsibility to verify that his installation is adequate to withstand all loads imposed by this mount and antenna.
9. Inspect mount and antenna installation every 6 months, (or after every storm) for tightness.
10. To insure safety, no installation should be attempted without a local, professional, structural analysis.
11. Local zoning and/or building codes and insurance companies may require architect or structural engineer approval prior to installation.
12. All antenna installations should be grounded, by installer, to meet all applicable codes.