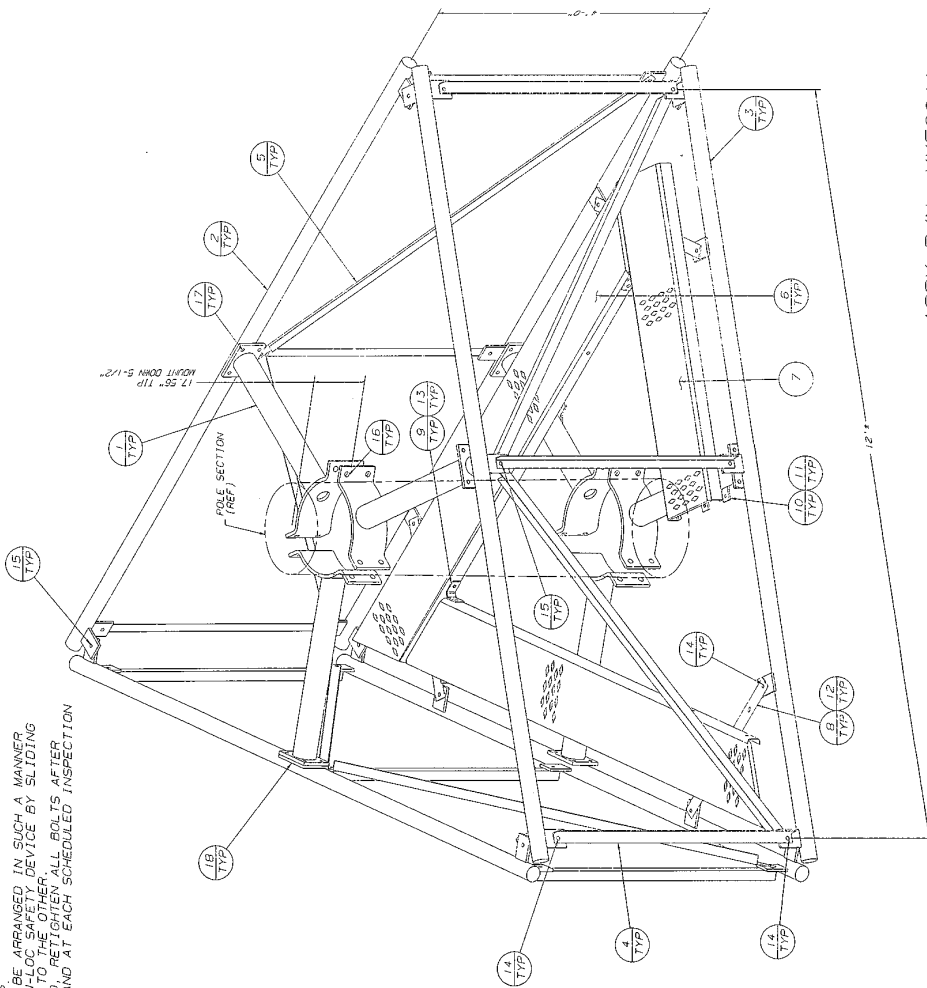




BILL OF MATERIAL			DWG. NO.
ITEM QUANTITY	PART NO.	DESCRIPTION	981350
1	VY4834	U-BOLT ASSY	981350
2	VY4853	UPPER MOUNTING PINE	981350
3	VY4855	LOWER MOUNTING PINE	981350
4	VY4733	VERTICAL BRACE	981350
5	VY4851	DIAG. BRACE	981350
6	VY2889	WALKWAY PANEL	981350
7	VY2885	WALKWAY PANEL	981350
8	VY4852	WALKWAY ANGLE	981350
9	SS012	CLIP	981350
10	#123	SADDLE CLAMP	981350
11	J1024	J-BOLT ASSY	981350
12	J4444W	J-BOLT ASSY W/WASHERS	981350
13	Z1007504	1/2" X 1-1/4" BOLT ASSY	981350
14	Z1007504	1/2" X 1-1/4" BOLT ASSY	981350
15	Z1007504	1/2" X 1-1/4" BOLT ASSY	981350
16	Z1007504	1/2" X 1-1/4" BOLT ASSY	981350
17	Z1007504	1/2" X 1-1/4" BOLT ASSY	981350
18	VY4832	SPACER	981350

GENERAL NOTES

1. WASHERS ARE PROVIDED WITH ALL SLOTTED HOLES.
2. THIS MOUNTING FRAME IS DESIGNED FOR POLE DIA. METERS, 17-9/16" AT TOP.
3. ITEM NUMBER 6 & 7 WALKWAY DEVICE BY SLIDING WALKWAYS FROM ONE END TO THE OTHER. CHECK AND, IF REQUIRED, RETIGHTEN ALL BOLTS AFTER ANTENNA INSTALLATION AND AT EACH SCHEDULED INSPECTION THEREAFTER.



ASSY P/N: VY5004A

NAME: [REDACTED]		DATE: [REDACTED]	
JOB NO: [REDACTED]		SCALE: [REDACTED]	
DRAWN BY: [REDACTED]		CHECKED BY: [REDACTED]	
APPROVED BY: [REDACTED]		DATE: [REDACTED]	
PROJECT: [REDACTED]		SHEET NO: [REDACTED]	
TITLES: [REDACTED]		DRAWING NO.: [REDACTED]	
R O H N			
POLE MOUNTING FRAME W/O EXTENSION WITH WALKWAY FOR 17-9/16" TIP			