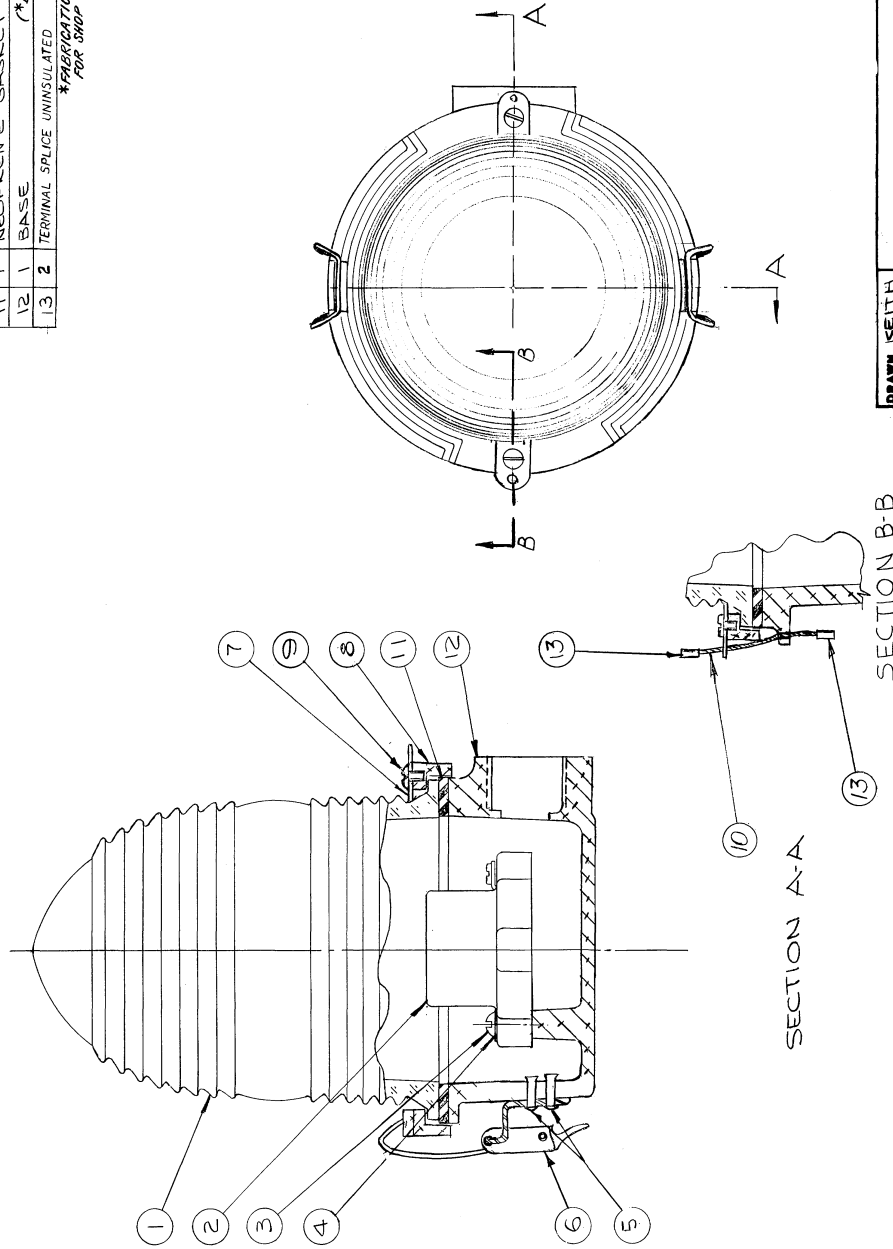




ITEM NO	REQ	DESCRIPTION	PART NO.
1		LENS	530230
2	1	LAMP RECEPTACLE	50714
3	2	#8-32 X 3/4 LG. RD. HD. GAS. BURIED MACH. SCREW	220006
4	2	#10 FLAT NYLON WASHER	250002
5	4	1/8" DIA. POP RIVETS	280010
6	2	LATCH ASSY	08L
7	2	LENS RETAINER CLIP, ALUM.	08RC
8	1	LENS RETAINER RING (#20/2067)	08R
9	2	#8-32 X 1/2 LG. ROUND HEAD SS MACHINE SCREW	220186
10	1	LENS RETAINING CABLE	M4516
11	1	NEOPRENE GASKET	08G1
12	1	BASE	(*8810362)
13	2	TERMINAL SPLICE UNINSULATED	08B1
			510144

*FABRICATION DWS -
FOR SHOP USE ONLY



DRAWN KEITH	TITLE
CHECKED L.M.	OBSTRUCTION
APPROVED	LIGHT ASSEMBLY
DATE 6-29-82	DRAWING NO.
SCALE NONE	C620701M
	ROHN
	OBI

REV	DATE	DESCRIPTION
1	1-30-82	REV. CABLE PINS & 280010 WAS 5
2	4-26-83	REV. 220186 WAS 2201M9, 280002 WAS 4
3	4-17-80	CHANGED OBT LATCH & BASE
4		GENERAL REVISIONS