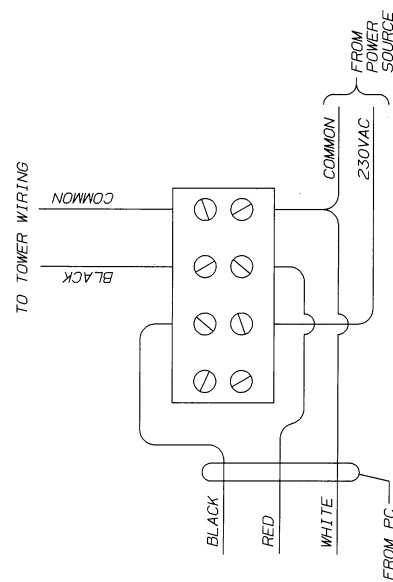
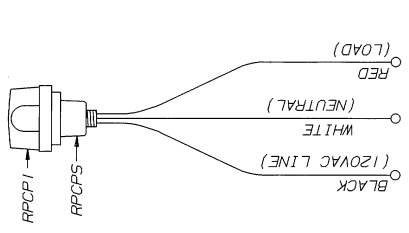
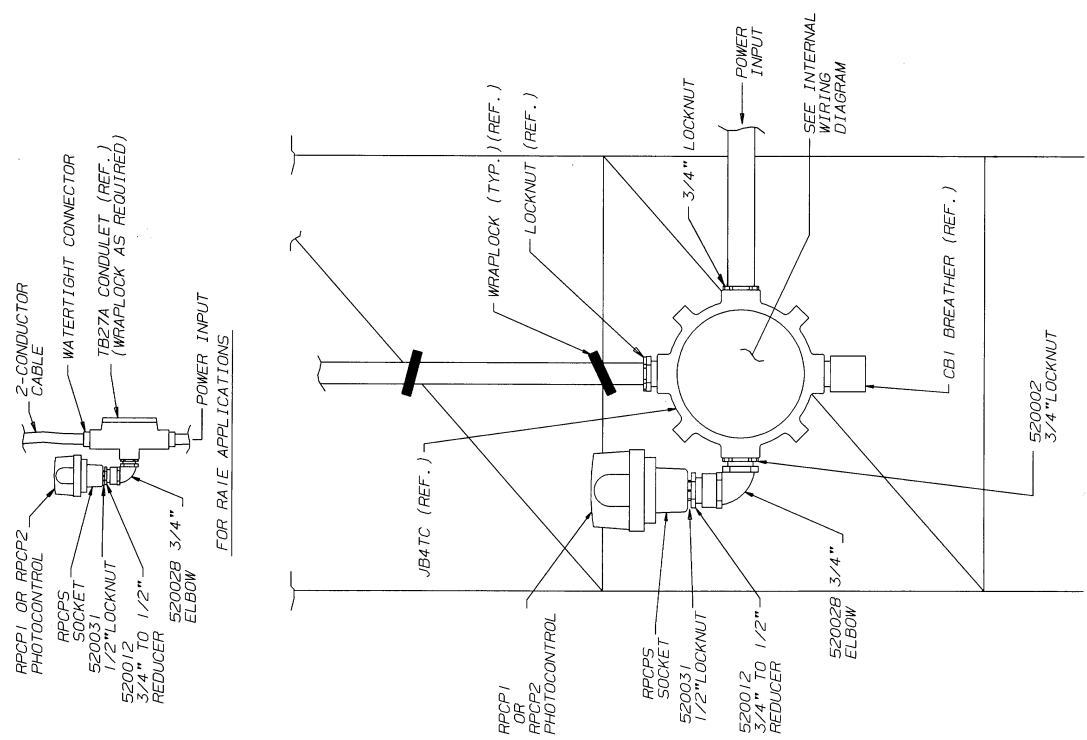


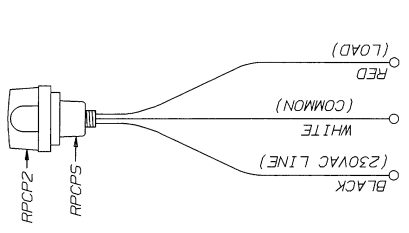
120VAC APPLICATIONS  
INTERNAL WIRING DIAGRAM



230VAC APPLICATIONS  
INTERNAL WIRING DIAGRAM



120VAC APPLICATIONS  
60HZ



230VAC APPLICATIONS  
50/60 HZ

- NOTES:
- 1) RPHIP AND RPH2P INCLUDE PHOTOCONTROL, SOCKET AND CONDUIT FITTINGS REQUIRED FOR MOUNTING TO A 3/4" CONDUIT HUB.
  - 2) PHOTOCONTROL SHOULD HAVE AN UNOBSTRUCTED VIEW OF THE NORTH SKY.
  - 3) LOAD RATING IS 1800VA (RPCP1 & RPCP2).
  - 4) PROVIDE OVER CURRENT PROTECTION PER NEC OR LOCAL CODES.

RI		ADDED RATE PHOTOCONTROL DETAIL		12/13/94	JHD	LW	TS
No. ▲		Revision Description		▲	Date	Rev. By	App. By
THIS DRAWING IS THE PROPERTY OF ROHN. IT IS NOT TO BE REPRODUCED, COPIED OR TRACED IN WHOLE OR IN PART WITHOUT OUR WRITTEN CONSENT.							
Title:		ROHN					
Score:	None	By:	JHD	Date:	3/29/93		
Drawn:	DC	Checked:	TS	Date:	3/24/93		
App.:	Eng.:	App.:	Eng.:	Date:	3/25/93		
App.:	Series:	PM		Date:	3/26/93	Eng.:	FILE
							DRAWING NO.: C930709R1