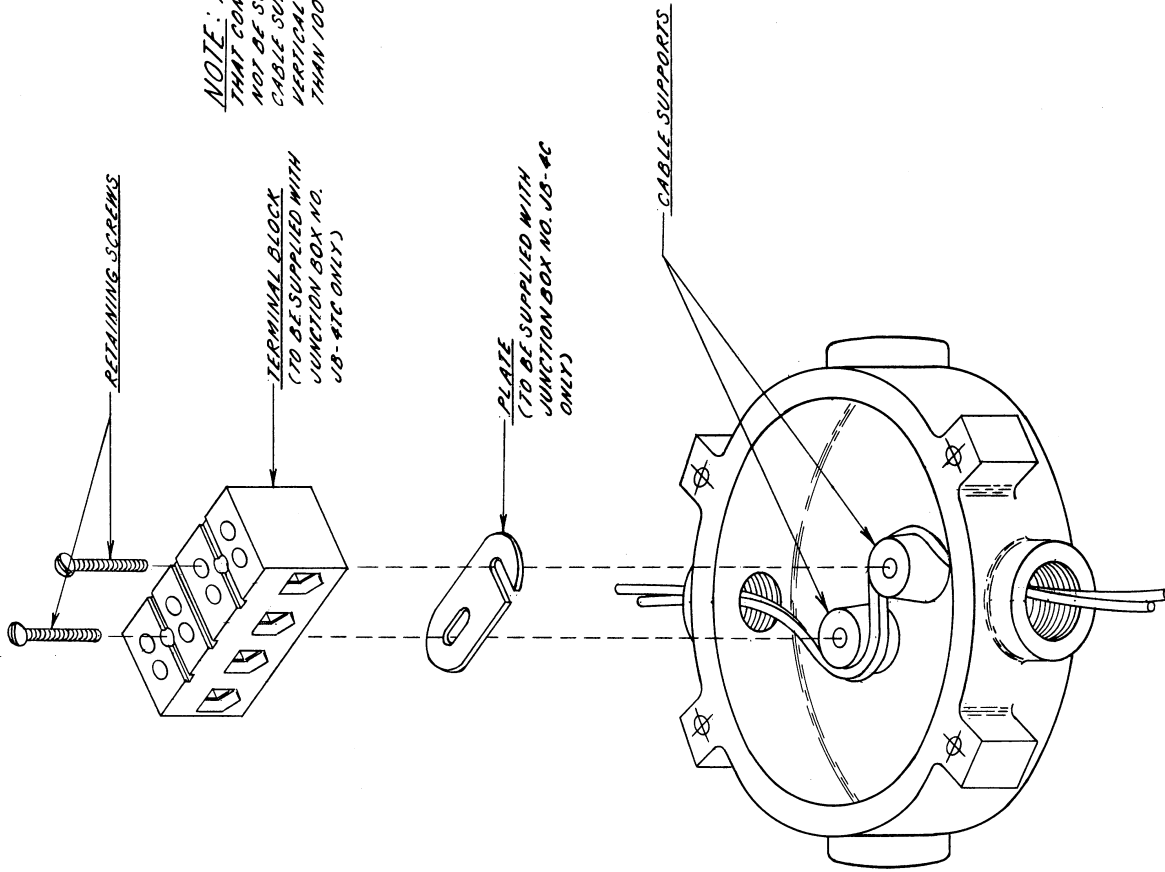




NOTE: THE NATIONAL ELECTRIC CODE STATES THAT CONDUCTORS IN VERTICAL RUNS SHALL NOT BE SUPPORTED BY TERMINALS AND THAT CABLE SUPPORTS SHALL BE PROVIDED IN EACH VERTICAL RUN AT INTERVALS NOT GREATER THAN 100 FEET.



No. & Revision	Description	Date	By
Unarco-Rohn Division of Unarco Industries, Inc.			
TITLE <i>JUNCTION BOX CABLE SUPPORT</i>			
Scale: Unless otherwise specified, dimensions are given in inches.			
Drawn by	DATE	Fractions	Angles
ELS	2/10/76	±	±
Checked by	DATE	Material	Weight
WAL	2-13-76		
Approved by Engineering	DATE	This drawing is the property of Unarco-Rohn. It is to be reproduced, copied or traced in whole or in part without our written consent.	
WJ	2-17-76	File Number	
Approved by Production	DATE	Drawing Number	
PAK	2-16-76	C-760126	