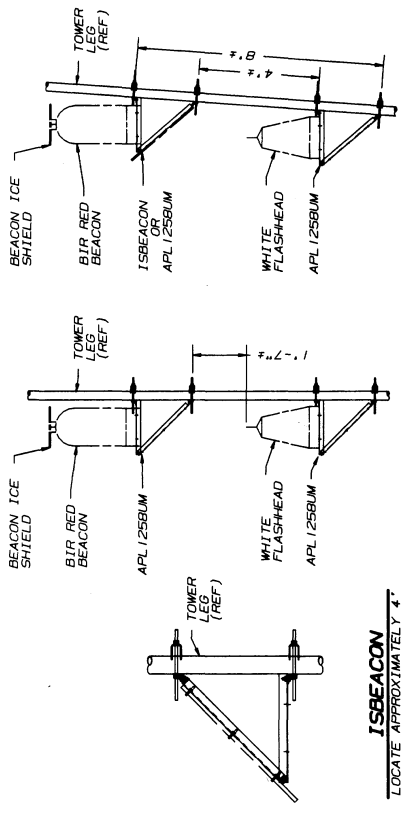
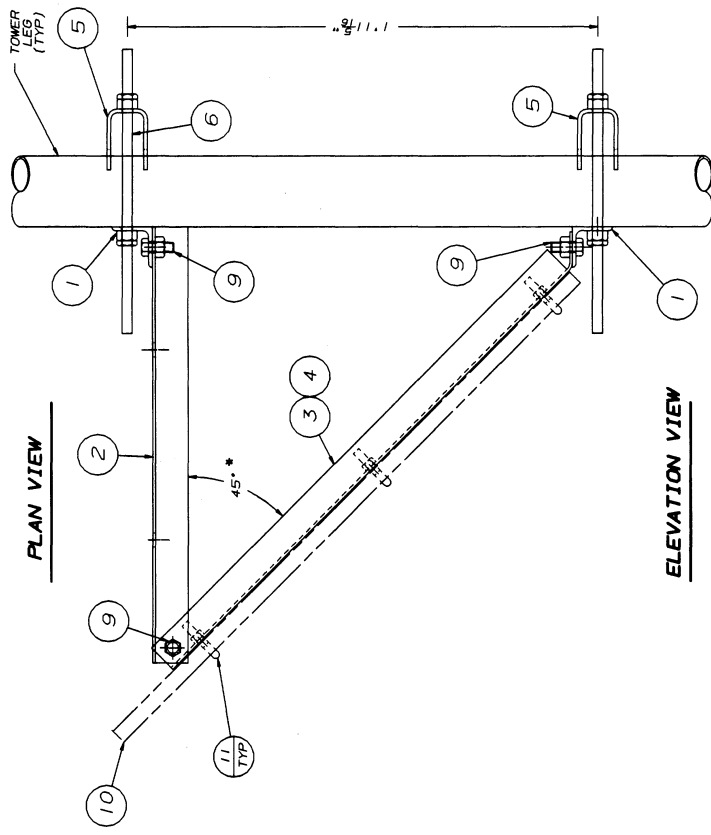
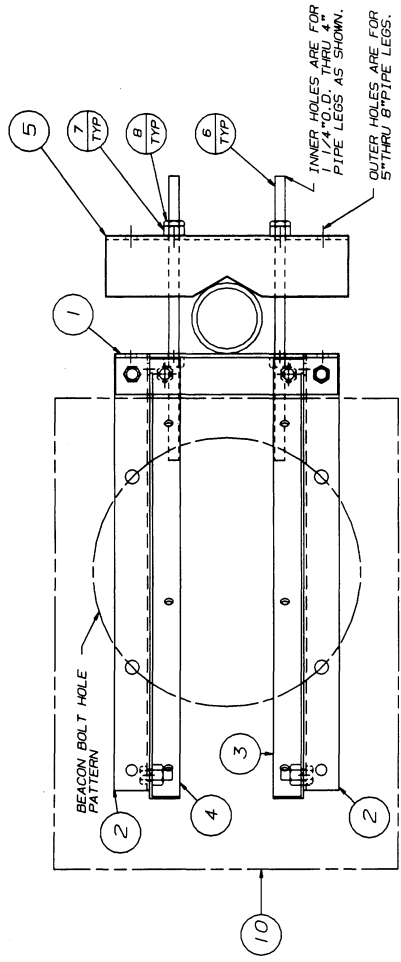




ASSY P/N APL1258UM BILL OF MATERIAL				
ITEM	QUAN.	PART NO.	DESCRIPTION	DWG. NO.
1	2	KH4479	SUPPORT BRACKET L2 X 3/16"	B911674
2	2	KH4479	SUPPORT BRACKET L1 3/4 X 3/16"	B911675
3	1	KH4480	ANGLE KNEE BRACE L1 1/2 X 1/8"	B911676
4	1	KH4481	ANGLE KNEE BRACE L1 1/2 X 1/8"	B911676
5	2	KH3238	CLAMP	CB61055
6	4	2102556	1/2" THREADED ROD 1/4"	N/A
7	8	230013	1/2" NUT	C770404
8	8	230011	1/2" PAL NUT	C770404
9	6	2100176A	BOLT ASSY 1/2 X 1 1/4"	C770404

ASSY P/N ISBEACON BILL OF MATERIAL				
ITEM	QUAN.	PART NO.	DESCRIPTION	DWG. NO.
1	2	KH4479	SUPPORT BRACKET L2 X 3/16"	B911674
2	2	KH4479	SUPPORT BRACKET L1 3/4 X 3/16"	B911675
3	1	KH4480	ANGLE KNEE BRACE L1 1/2 X 1/8"	B911676
4	1	KH4481	ANGLE KNEE BRACE L1 1/2 X 1/8"	B911676
5	2	KH3238	CLAMP	CB61055
6	4	2102556	1/2" THREADED ROD 1/4"	N/A
7	8	230013	1/2" NUT	C770404
8	8	230011	1/2" PAL NUT	C770404
9	6	2100176A	BOLT ASSY 1/2 X 1 1/4"	C770404
10	1	KH4482	3LB BRATTING ICE SHIELD	B911686
11	6	J167A	J-BOLT ASSY 3/8 X 1-5/8"	B910973

* BEACON MOUNTING SURFACE SHALL BE LEVEL. ADJUST KNEE BRACE ANGLE ACCORDINGLY ON A TAPERED LEGS.



DUAL BEACONS ON STRAIGHT TOWER

DUAL BEACONS ON TAPERED TOWER

Revision Description		4-19-96 PJD	WAV	TK
1	REMOVED BEACON ICE SHIELD P/N ISBIR			

No. 1
Date: 4-19-96
Rev. By: Cnd By: App'd By

THIS DRAWING IS THE PROPERTY OF ROKIN. IT IS NOT TO BE REPRODUCED, COPIED OR TRACED IN WHOLE OR IN PART WITHOUT OUR WRITTEN CONSENT.

Serial: NONE
Drawn: PKB 12-5-91
Checked: WDU 12-11-91
App. Eng.: TS 12-12-91
App. Sales: JC 12-12-91

Title: **R O H N**
MID BEACON PLATE ASSEMBLY AND BEACON ICE SHIELD 1 1/4\"/>

SEE TOWER ASSEMBLY DRAWING IF ADDITIONAL LIGHTS ARE REQUIRED.