



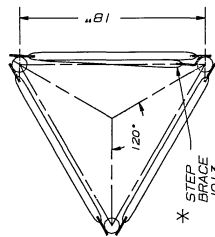
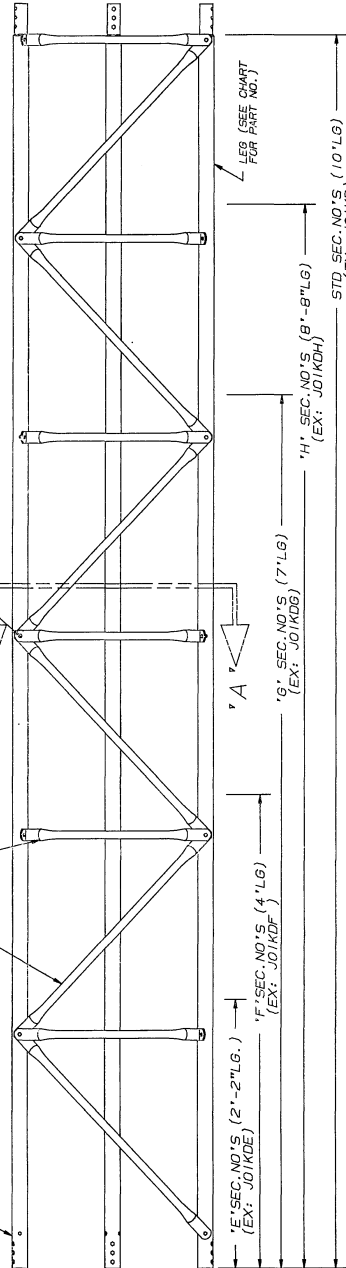
TOWER SECTION ASSEMBLY NUMBERS & QUANTITIES				PART NUMBER				DESCRIPTION				DRAWING NUMBER	
JOIKD	JOIKDENS	JOIKDDB	JOIKDF	JOIKDFNS	JOIKDFDB	JOIKDG	JOIKDENS	JOIKDDB	JOIKDCH	JOIKDINS	JOIKDDB	JOIKDB	
3	3	3											
			3										LEG 1.5 00 - 146A X 10" LONG
				3									LEG 1.5 00 - 146A X 2" LONG
						3							LEG 1.5 00 - 146A X 4" LONG
							3						LEG 1.5 00 - 146A X 7" LONG
										3			LEG 1.5 00 - 146A X 8" LONG
6	1.8	3.6		6		1.2	1.2	2.4	1.5	1.5			BRACE 3/4" OD - 166A
2.1	2.1	2.1		9		4	1.5	1.5	1.5	1.5			STEP 3/4" OD - 166A
2.1	2.1	2.1		9		1.5	1.5	1.5	1.5	1.5			BRACE BOLT - 5/16" X 2 3/8"
2.1	2.1	2.1		9		1.5	1.5	1.5	1.5	1.5			5/16" LOCK NUT
STD (10')	10 W/O STEPS	10 DEL BRACED	STD (2'-2" LG)	2'-2" W/O STEPS	4" W/O STEPS	STD (7')	7 W/O STEPS	7 DEL BRACED	STD (8'-8")	8'-8" W/O STEPS			3/8" WASHERS

NOTE: ALL SECTION ASSY NO'S SHOWN IN CHART ARE FOR KNOCK DOWN SECTIONS. IF ASSEMBLED IN ONE PIECE, THE JOINT PART NO. SHOULD BE JOIKDB. PART NO. JOIKD= IS ASSEMBLED SEC. EXAMPLE: JOIKD= IS KNOCKDOWN SEC.

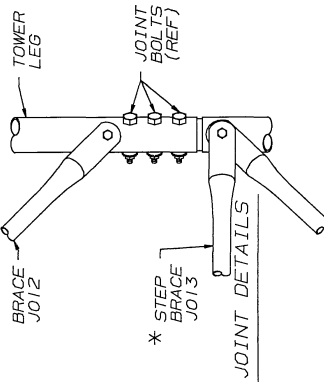
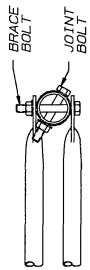
JO8 BRACE BOLT KIT (NOT PROVIDED WITH JO13 STEP) JO9 BOLT KIT (NOT PROVIDED WITH JO13 STEP) JO12 BRACE WASHERS (TYP)

JO13 STEP (NOT PROVIDED WITH DOUBLE LACED SECTIONS) JO12 BRACE W/5/16" LOCK NUT & 3/8" WASHER (TYP)

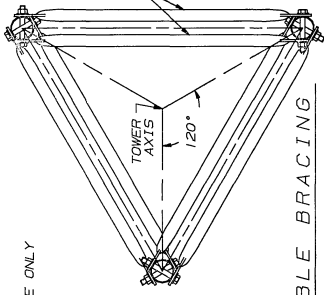
JO7 JOINT BOLT KIT (3/8" X 2 1/4" JOINT BOLT W/5/16" LOCK NUT & 3/8" WASHER (TYP))



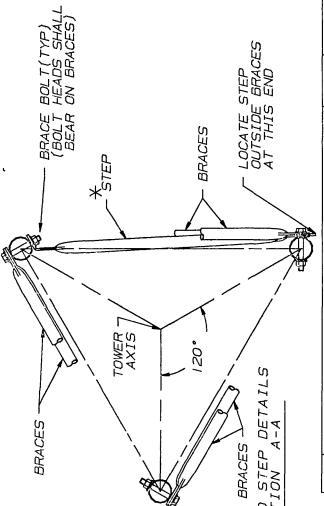
SINGLE BRACING



NOTE: SECTION LENGTHS ABOVE ARE ONLY NOMINAL LENGTHS.



DOUBLE BRACING



J TOWER SECTION PROPERTIES				NOMENCLATURE				REVISED		DATE	
ITEM	SIZE	LEGS	BRACES	A	C	I	J	R7	R8	R9	R10
	TS 1.50 ODX. 083	TS 7500X 065	We 1.1					8-27-92	JDM	8/2	75
Fy	50.0	0.3695	32.0					5-1-98	RKB	1/10/94	10/94
S	0.1241	0.0221	0.0083					8-24-94	RKB		
T	0.0931	0.0083	0.0083					9-27-92	RKB		
L	0.5018	0.2433	0.2433					4-9-91	JHD		
K	38.666	26.415	26.415					4-29-90	MDI		
KL/r	1.0	1.0	1.0					5-5-90	KTL		
C	77.05	106.57	106.57								
T	9.64	12.10	12.10								
W	N/A	N/A	N/A								
W _s	1.6861	0.4755	0.4755								
	37.683	32.317	32.317								

SEC. NO.	DATE	DESCRIPTION	BY	DATE	BY
REV. 1	8-27-92	E, W AS D & REVISED PICTORIALY	JDM	8/2	75
REV. 2	5-1-98	REDRAWN & ADDED SEC. PROPERTIES/NOTES	RKB	1/10/94	10/94
REV. 3	8-24-94	ADDED STEP NOTE & END OF LEG DIM LINE	RKB		
REV. 4	9-27-92	SUBSTITUTED KD FOR A IN ALL SECTION P/N	RKB		
REV. 5	4-9-91	REMOVED JOINT BOLT KIT	JHD		
REV. 6	4-29-90	REV. KL215 LENGTH FROM 6" TO 7"	MDI		
REV. 7	5-5-90	ADDED NOTE	KTL		

THIS DRAWING IS THE PROPERTY OF ROTH. IT IS NOT TO BE REPRODUCED, COPIED OR TRACED IN WHOLE OR IN PART WITHOUT OUR WRITTEN CONSENT.

Scale: NONE
 Date: 1/1-9-77
 Drawn: MDI
 Checked: OH
 App. Eng.: OW
 App. Spec.: BR
 Title: J' TOWER SECTION ASSY'S
 Rev. By: App. By: R O H N

NOTE: CAPACITIES PER ANSI/EIA-222-E-1991

ENG. FILE: C771041 R7