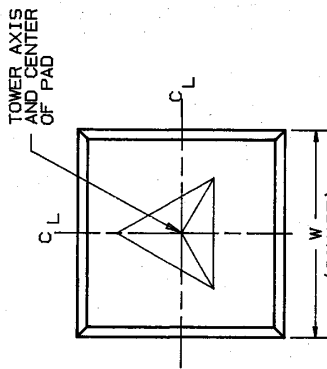




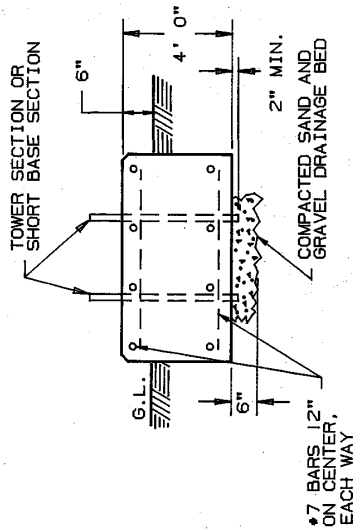
TOWER NO.	OVER-TURNING MOMENT FOOT POUNDS	MAX. ALLOW. SHEAR POUNDS	W	CONCRETE REQUIRED CU. YDS.
256	6,800	700	4' 0"	2.4
456	12,800	1,600	5' 3"	4.1
556	22,900	1,600	6' 0"	5.3
656	49,600	3,800	7' 9"	8.9

GENERAL NOTES

- FOR REQUIRED MATERIAL SPECIFICATIONS, INSTALLATION NOTES, AND TOLERANCES SEE DRAWING NUMBER B841500.
- SEE DRAWING NUMBER AB71266 FOR MAXIMUM TOWER HEIGHTS AND ALLOWABLE ANTENNA AREAS.



PLAN VIEW



ELEVATION VIEW

No. ▲	Revision Description	▲	Date	▲	By
UNR-Rohn					
FOUNDATION DETAILS					
SELF-SUPPORTING 25, 45, 55 & 65 TOWERS					
Scale Unless otherwise specified, dimensions are given in inches.					
Drawn by	W.D.U.	Date	9/29/87	Tolerances	Decimals ±
Checked by	W.P.F.	Date	9/19/87	Angles	±
Approved by Engineering	X.K.	Date	2/19/88	Material	Finish
Approved by Production		Date		Weight	
This drawing is the property of UNR-Rohn. It is not to be reproduced, copied or traced in whole or in part without our written consent.					
File Number					
Approved by Sales				Date	2-19-88
Drawing Number				B870725	