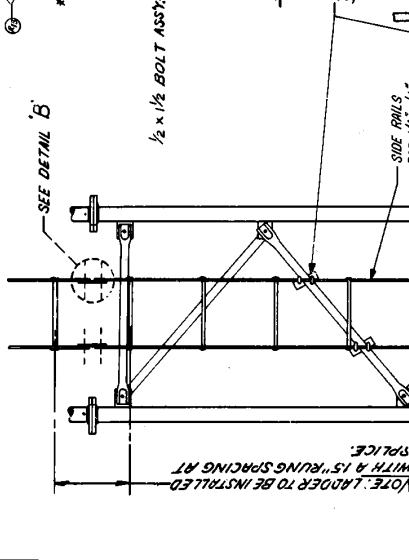
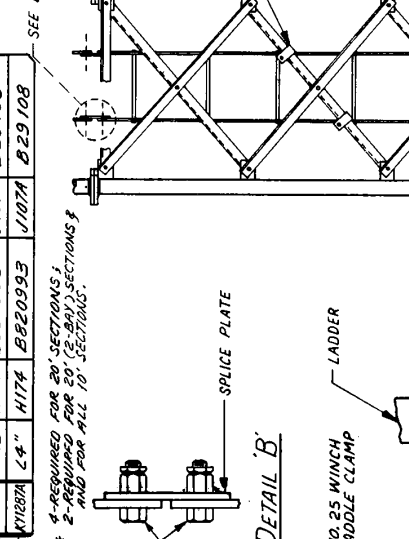
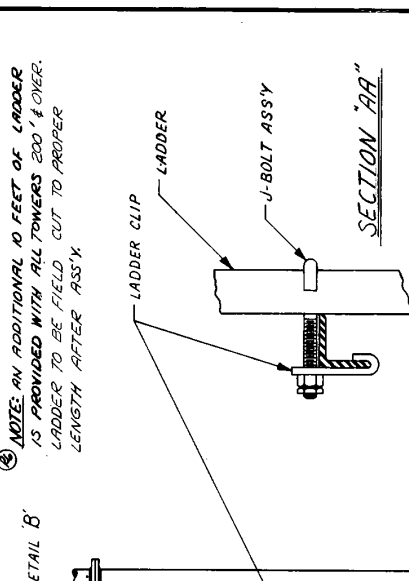




QTY	PART NO.	DESCRIPTION	DMG. NO.
1	NL 20	LADDER SECTION	SK-680905
2	KY 95	LADDER SPICE PLATE	SK-680905
4	2100186A	1/2" x 1 1/2" BOLT ASS'Y.	SEE CHART
REF.	SEE CHART	J-BOLT ASS'Y.	SEE CHART

CLIP ASS'Y	BRACE SIZE	LADDER CLIP (2-REG'D)	J-BOLT (2-REG'D)
KY1693	L 1 1/2"	H173 B820993	J444A B29 42A
KY1693	L 1 3/4"	H173 B820993	J444A B29 42A
KY1695	L 2"	H173 B820993	J51A B29 47
KY1695	L 2 1/2"	H173 B820993	J 51A B29 47
KY1697	L 3"	H174 B820993	J 51A B29 47
KY1688A	L 3 1/2"	H174 B820993	J107A B29 108
KY1688A	L 4"	H174 B820993	J107A B29 108

QTY	PART NO.	DESCRIPTION	DMG. NO.
1	NL 20	LADDER SECTION	SK-680905
2	KY 95	LADDER SPICE PLATES	SK-680905
8	KY91	NO. 25 WINCH SADDLE CLAMP	Ø770214
4	2100186A	1/2" x 1 1/2" BOLT ASS'Y.	Ø770404
16	J444A	J-BOLT ASS'Y.	B29-42A



NO.	DESCRIPTION	DATE	BY
R9	ADD ASSEMBLY AND PART NUMBERS	7-22-80 AJG	
R8	ADD PART NOS.	10-3-78	WPC
R7	REVISE R6 NOTE	1-13-77	WPC
R6	ADDED NOTE	7-1-85	BWK
R5	ADDING SPACING NOTE & REVISED PRICE	5-23-75	DM
R4	ADD 3" ANGLE BRACE	5-28-75	WPC
R3	REVISED & REDRAWN	12-5-74	RDS

NO.	DESCRIPTION	DATE	BY
R13	ADDED BRACING NOTE FOR 3/2" & 7" (See 35)	12-20-74	DM
R12	ADDED ROHN LOC NOTE	1-30-85	DM
R11	RE-LAD. CLIP WERE USED IN 10' SECTIONS & 2" DIA.	2-2-84	RDS
R10	J1444 WAS V11A, REMOVED WASHERS	4-11-85	RKE

QTY	PART NO.	DESCRIPTION	DMG. NO.
1	NL 10	LADDER SECTION ASSY NO NL10FA	SK-680905
2	KY 95	LADDER SPICE PLATE	SK-680905
4	2100186A	1/2" x 1 1/2" BOLT ASS'Y.	SEE CHART
REF.	SEE CHART	J-BOLT ASS'Y.	SEE CHART

ROHN MANUFACTURING
DIVISION OF

FACE MOUNTED STD. LADDER ASS'Y FOR GUYED TOWERS & SSV TOWERS

THIS DRAWING IS THE PROPERTY OF ROHN. IT IS NOT TO BE REPRODUCED OR COPIED IN WHOLE OR IN PART WITHOUT OUR WRITTEN CONSENT.

DATE: 7-2-74
BY: WPC
CHECKED: WPC
APPROVED: WPC

DMG. NO.: C 700227 R 13

PRINTED IN U.S.A.

TUBULAR BRACING

NOTE: IT IS RECOMMENDED A ROHN-LOC SAFETY DEVICE BE PROVIDED WITH LADDER INSTALLATIONS FOR ADDED CLIMBER SAFETY.

ANGULAR BRACING

NOTE: BRACE TO BE INSTALLED WITH A 15' RUNG SPACING AT SPICES.