

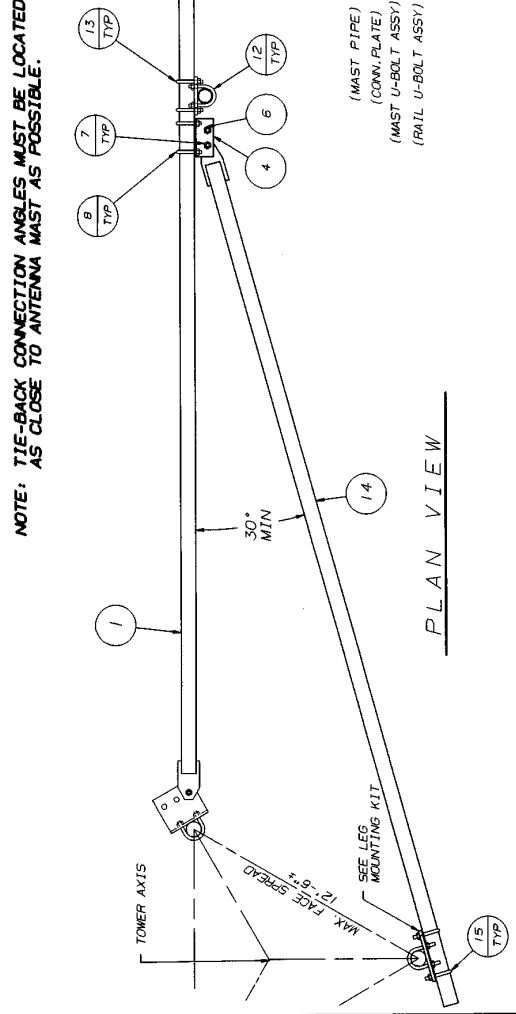


ASSY P/N KY1955A BOOM BILL OF MATERIAL

ITEM	QUAN.	PART NO.	DESCRIPTION	DWG. NO.
1	2	KY1651	BOOM RAIL 2STD X 10"	B601400
2	5	KB36R	BOOM VERTICAL BRACE	B660719
3	4	KB35R	BOOM DIAGONAL BRACE	B660719
4	4	KY1841	CONNECTION ANGLE	B911713
5	10	2100186A	1/2" X 1-1/2" BOLT ASSEMBLY	C770404
6	2	KH390	RINGSFILL	B770314
7	4	2100316A	5/8" X 2" BOLT ASSEMBLY	C770404
8	4	JRB3A	U-BOLT ASSEMBLY	B651028
9	2	2100478A	3/4" X 2" BOLT ASSEMBLY	C770404

ANTENNA MAST KITS								
ITEM	QTY.	VY282A	VY4781A	VY4782A	VY4783A	VY4783A	VY4784A	VY4784A
1	1	2510	2510	2510	2510	2510	2510	2510
10	1	KH275	KH2229	KH276	KH2987	KH277	KH4719	KH278
11	2	KY14	KY14	KH1614	KH1614	KH1614	KH1614	KH1614
12	4	JRB3A	JRB3A	JRB4AW	JRB4AW	JRB9AW	JRB9AW	JRB9AW
13	4	JRB3A	JRB3A	JRB3A	JRB3A	JRB3A	JRB3A	JRB3A

TIE-BACK KITS					
ITEM	QTY.	VY4785A	VY4786A	VY4787A	DWG. NO.
14	2	2STD X 12"	2-1/2STD X 15"	3STD X 20"	
15	4	WY767B	KY1845	KY1956	SEE NOTE
		JRB3AW	JRB4AW	JRB9AW	B651028



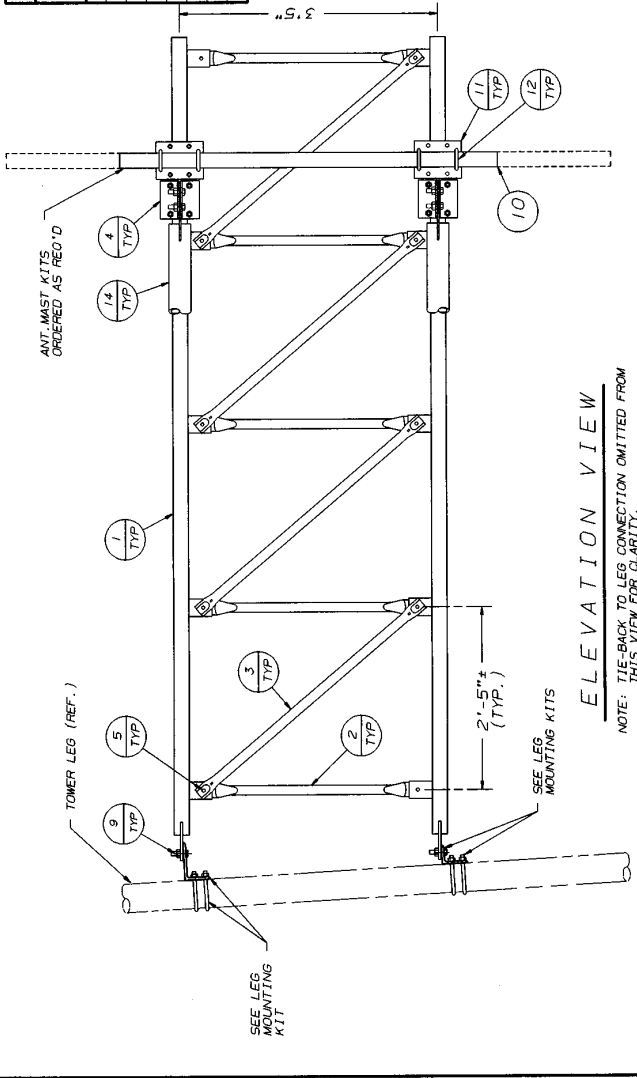
NOTE: SIDE ARM MOUNTING PLATES MUST BE LOCATED AS CLOSE AS POSSIBLE TO LEG-BRACE INTERSECTION.

TAPERED LEG MOUNTING KITS						
ASSEMBLY NUMBER	LEG UPPER ANGLE	LOWER ANGLE	DRAWING NUMBERS	TIE-BACK ASSEMBLY B-REQ'D		
KY1957A	2"	VY4379	VY4360	C901349	JRB3AW	KH4750
KY1958A	2 1/2"	VY4379	VY4360	C901349	JRB4AW	KH4750
KY1959A	3"	VY4379	VY4360	C901349	JRB9AW	KH4750
KY1960A	3 1/2"	VY4379	VY4360	C901349	JRB9AW	KH4750
KY1961A	4"	VY4379	VY4360	C901349	JRB9AW	KH4750
KY1962A	5"	VY4381	VY4362	C901352	JRB9AW	KH4751
KY1963A	6"	VY4381	VY4362	C901352	JRB7AW	KH4751
KY1964A	8"	VY4544	VY4545	C911643	JRB0SAW	KH4752

ORDERING INFO
 ORDER () 10' GATE BOOM ASSY., KY1955A
 ORDER () LEG MOUNTING KIT (SEE CHART FOR P/N)
 ORDER () ANTENNA MAST KIT AS REQUIRED.
 ORDER () TIE-BACK KIT AS REQUIRED. (2-TIE BACKS PER KIT)

GENERAL NOTES
 1. ALL BOOM VERTICAL AND DIAGONAL BRACES ARE STD. 400 TOWER BRACES.
 2. FLAT WASHERS ARE PROVIDED FOR ALL SLOTTED HOLES.

REFERENCE DRAWINGS
 FOR SUP. LEG KIT
 * TIE-BACK PIPES WY767B (B631583) KY1845 (B911712), KY1956 (B631437)
 ANTENNA CONNECTION PLATE KH1614 (B610894) KY14 (C740106)



ELEVATION VIEW

NOTE: TIE-BACK TO LEG CONNECTION OMITTED FROM THIS VIEW FOR CLARITY.

No. Revision Description
 1 10' GATE BOOM ASSY., KY1955A
 2 LEG MOUNTING KIT (SEE CHART FOR P/N)
 3 ANTENNA MAST KIT AS REQUIRED.
 4 TIE-BACK KIT AS REQUIRED. (2-TIE BACKS PER KIT)

THIS DRAWING IS THE PROPERTY OF ROHN, IT IS NOT TO BE REPRODUCED OR TRANSMITTED IN ANY FORM OR BY ANY MEANS WITHOUT OUR WRITTEN CONSENT.

Drawn: JWB / 12-29-92
 Checked: JWB / 12-29-92
 App. Eng.: JWB / 12-29-92

RoHN
 10' GATE BOOM ASSEMBLY (TAPERED)
 (MTG. KITS 2" THRU 8" LEGS)

ENG. FILE: C930719