

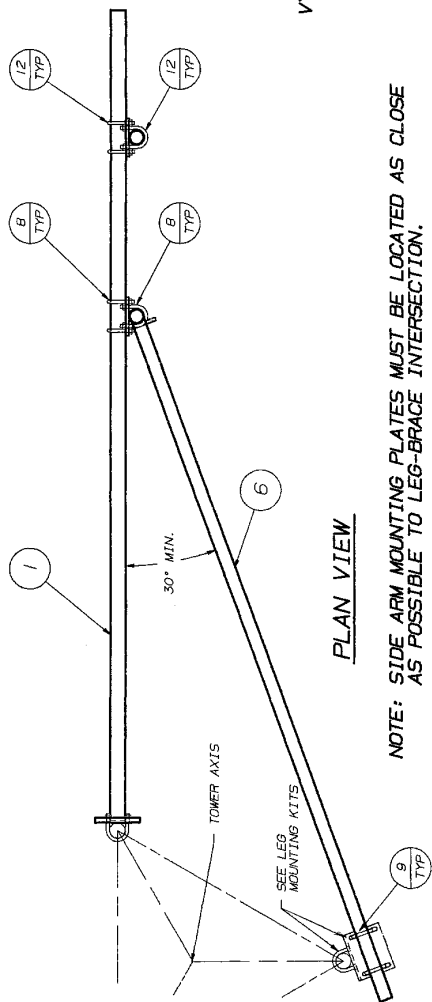


VY4301A BOOM BILL OF MATERIAL					
QUN.	ITEM	QUAN.	PART NO.	DESCRIPTION	DWG. NO.
---	1	---	REF	BOOM RAIL (SEE STR. LEG MOUNTING KITS) (SEE BELOW)	B660719
5	2	5	KB3BR	BOOM VERTICAL BRACE	B660719
4	3	4	KB3BR	BOOM DIAGONAL BRACE	B660719
0	4	2	KY14	CONNECTION PLATE	C740106
0	5	1	KH275	CONNECTION PIPE 2STD X 5'-0" LG.	B770160
0	6	1	KY12	TIE-BACK TUBE	C740106
10	7	10	21001B6A	1/2" X 1 1/2" BOLT ASSY.	C770404
0	8	10	JRB3A	U-BOLT ASSY.	B65102B
0	9	2	JRB6AW	U-BOLT ASSY. W/WASHERS	B65102B

REFERENCE DRAWINGS  
(SEE USE DET.) B660971  
TIE-BACK ANGLES

** VY2522A ANTENNA MAST KITS				
ITEM	QUAN.	PART NO.	DESCRIPTION	DWG. NO.
10	1	KH275	MOUNTING PIPE 2STD X 5'-0" LG.	B770160
11	2	KY14	CONNECTION PLATE	C740106
12	8	JRB3A	U-BOLT ASSY.	B65102B

\*\* VY2522AB REPLACES P/N KH275 WITH P/N KH2229 - 2EH PIPE X 8'-0" LG.



PLAN VIEW

NOTE: SIDE ARM MOUNTING PLATES MUST BE LOCATED AS CLOSE AS POSSIBLE TO LEG-BRACE INTERSECTION.

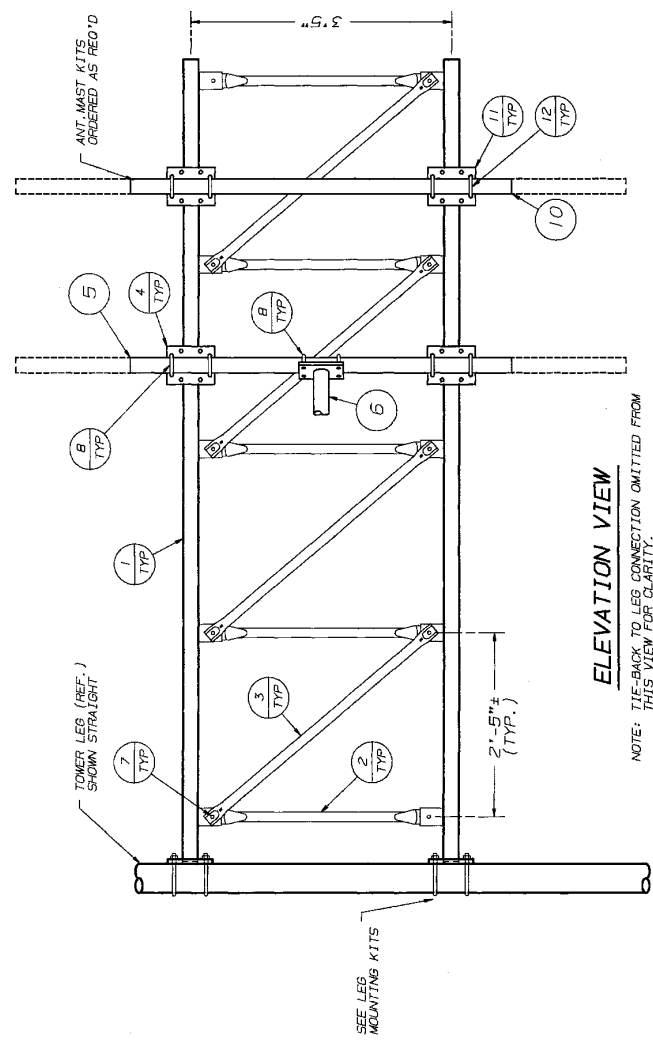
STRAIGHT LEG MOUNTING KITS				
ASSEMBLY NUMBER	LEG SIZE	BOOM RAIL DRAWING NUMBERS (2-REQ'D)	U-BOLT ASSEMBLY	TIE-BACK ANGLE
VY4302A	2"	KY1629	B691316 (6) JRB3AW	KY1504
VY4303A	2 1/2"	KY1625	B691316 (6) JRB4AW	KY1505
VY4304A	3"	KY1625	B691316 (6) JRB6AW	KY1506
VY4305A	3 1/2"	KY1625	B691316 (6) JRB9AW	KY1507
VY4306A	4"	KY1625	B691316 (6) JRB9AW	KY1508
VY4307A	5"	KY1626	B691317 (6) JRB6AW	KY1509
VY4308A	6"	KY1626	B691317 (6) JRB7AW	KY1510

ORDERING INFO

- ORDER (1) 10' GATE BOOM ASSY. VY4301A OR VY4301ALTB
- ORDER (1) LEG MOUNTING KIT (SEE CHART FOR P/N REQUIRED)
- ORDER ANTENNA MAST KIT AS REQUIRED.

GENERAL NOTES

- ALL BOOM VERTICAL AND DIAGONAL BRACES ARE STD. "80" TOWER BRACES.
- ONE TIE-BACK SHOWN - TWO MAY BE REQUIRED.
- FLAT WASHERS ARE PROVIDED FOR ALL SLOTTED HOLES.



ELEVATION VIEW

NOTE: TIE-BACK TO LEG CONNECTION OMITTED FROM THIS VIEW FOR CLARITY.

REV	ADDED 30° MIN. & REVISED B.O.M.	12/20/89	WEB	KVL	7/8
REV	ADDED NOTE	7/28/89	KVL	MOU	7/8
NO. Revision Description Date Rev. By Cdr. By Appr. By					
THIS DRAWING IS THE PROPERTY OF ROHN, IT IS NOT TO BE REPRODUCED OR TRANSMITTED IN ANY FORM OR BY ANY MEANS, IN PART OR WHOLE OR FOR ANY PURPOSE WITHOUT OUR WRITTEN CONSENT.					
Scale:	None	By	Date	Title:	
Drawn:	RWB	7-25-89		ROHN	
Checked:	KTL	7/27/89		10' GATE BOOM ASSEMBLY (STR.) (MTG. KITS 2" THRU 6" LEGS)	
App. Eng.:	TS	7/28/89			
App. Sales:	SAK	7/28/89	ENG. FILE:	DRAWING NO.: CB9133BR2	