



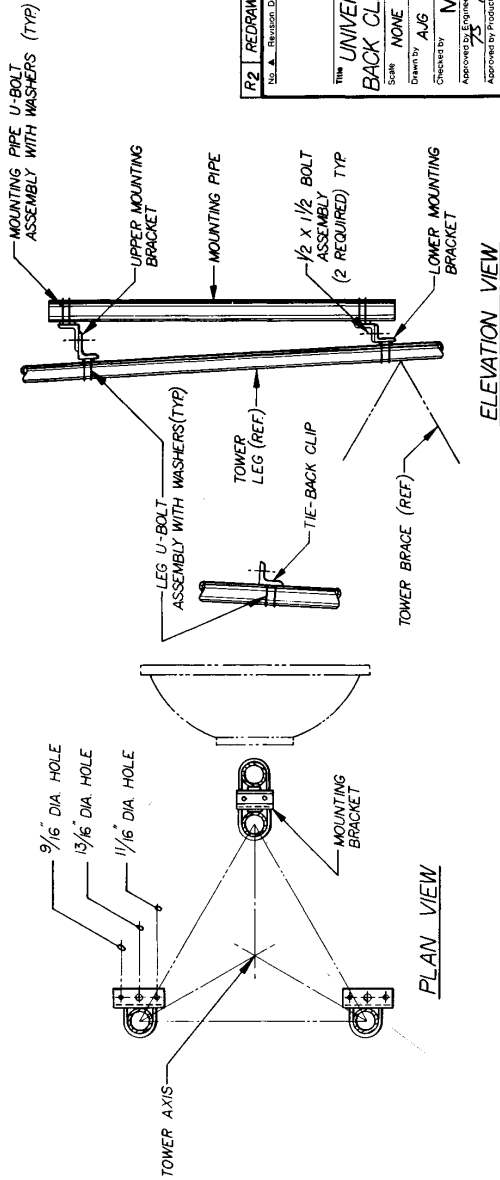
- GENERAL NOTES**
1. MOUNTING BRACKETS MUST BE MOUNTED AS CLOSE TO A BRACE CLIP AS POSSIBLE.
  2. FOR MOUNTING BRACKET FABRICATION, SEE DRAWING NUMBERS B800005 AND B800002.
  3. FOR U-BOLT FABRICATION, SEE DRAWING NUMBER B65028.
  4. FOR MOUNTING PIPE FABRICATION, SEE DRAWING NUMBER B7060.
  5. FOR TIE-BACK CLIP ANGLE FABRICATION, SEE DRAWING NUMBER B60004.

DISH MOUNTS WITH MOUNTING PIPE 4" STD X 5'-0" LG. & TIE-BACK CLIPS									
ASSEMBLY PT. NO.	TOWER LEG PIPE SIZE	LOWER BRACKET PT. NO. (1-REQ'D OF EACH)	UPPER BRACKET PT. NO. (1-REQ'D OF EACH)	MOUNTING PIPE PT. NO. (1-REQ'D)	TIE-BACK CLIP PT. NO. (2-REQ'D)	MIS. PIPE U-BOLT ASSY. W/ WASHERS (4-REQ'D)	CONNECTION BOLT ASSEMBLY 1/2" x 1/2" (4-REQ'D)	LEG U-BOLT ASSY. WITH WASHERS (8-REQ'D)	
TTB20UM	2"	VY1651	VY1627	KH279	VY1653	JR85AW	2100186A	JR83AW	
TTB25UM	2 1/2"	VY1651	VY1627	KH279	VY1653	JR85AW	2100186A	JR84AW	
TTB30UM	3"	VY1651	VY1627	KH279	VY1653	JR85AW	2100186A	JR84AW	
TTB35UM	3 1/2"	VY1651	VY1627	KH279	VY1653	JR85AW	2100186A	JR85AW	
TTB40UM	4"	VY1651	VY1627	KH279	VY1653	JR85AW	2100186A	JR85AW	
TTB50UM	5"	VY1651	VY1627	KH279	VY1654	JR85AW	2100186A	JR86AW	
TTB60UM	6"	VY1651	VY1627	KH279	VY1654	JR85AW	2100186A	JR87AW	

DISH MOUNTS WITH MOUNTING PIPE 4" STD X 6'-8" LG. & TIE-BACK CLIPS									
ASSEMBLY PT. NO.	TOWER LEG PIPE SIZE	LOWER BRACKET PT. NO. (1-REQ'D OF EACH)	UPPER BRACKET PT. NO. (1-REQ'D OF EACH)	MOUNTING PIPE PT. NO. (1-REQ'D)	TIE-BACK CLIP PT. NO. (2-REQ'D)	MIS. PIPE U-BOLT ASSY. W/ WASHERS (4-REQ'D)	CONNECTION BOLT ASSEMBLY 1/2" x 1/2" (4-REQ'D)	LEG U-BOLT ASSY. WITH WASHERS (8-REQ'D)	
TTB20HUM	2"	VY1651	VY1627	KH285	VY1653	JR85AW	2100186A	JR83AW	
TTB25HUM	2 1/2"	VY1651	VY1627	KH285	VY1653	JR85AW	2100186A	JR84AW	
TTB30HUM	3"	VY1651	VY1627	KH285	VY1653	JR85AW	2100186A	JR84AW	
TTB35HUM	3 1/2"	VY1651	VY1627	KH285	VY1653	JR85AW	2100186A	JR85AW	
TTB40HUM	4"	VY1651	VY1627	KH285	VY1653	JR85AW	2100186A	JR85AW	
TTB50HUM	5"	VY1651	VY1627	KH285	VY1654	JR85AW	2100186A	JR86AW	
TTB60HUM	6"	VY1651	VY1627	KH285	VY1654	JR85AW	2100186A	JR87AW	

NOTE: FLAT WASHERS ARE PROVIDED FOR ALL SLOTTED HOLES.



Revision Description	12-5-81	AUG
By		
Checked by	12-5-81	
Approved by	12-5-81	
Approved by Production	12-5-81	
Approved by Sales	12-5-81	

**Unarco-Rohn**  
Division of Unarco Industries, Inc.

**THE UNIVERSAL LEG DISH MOUNTS & TIE-BACK CLIPS FOR TAPERED TOWER SECTIONS**

Scale: NONE  
 Drawn by: MK 12/14/81  
 Date: 12-16-81  
 Title: 12-16-81  
 Drawing Number: C800124 R2