



DMF370503			BILL OF MATERIAL		
ITEM	QTY	PART NO.	DESCRIPTION	ITEM	QTY
1	1	KH279	MTG. PIPE (4.50 X 1.08 X 5'-0" LG)	1	1
2	2	VY2240	MOUNTING PLATE	2	2
3	2	VY2240	ANGLE TUBE MOUNT	3	2
4	2	VY2241	ANGLE TUBE MOUNT	4	2
5	4	JR85A	U-BOLT ASSY	5	4
6	1/2	JR811A	SQ. U-BOLT ASSY	6	1/2

DMF370685			BILL OF MATERIAL		
ITEM	QTY	PART NO.	DESCRIPTION	ITEM	QTY
1	1	KH295	MTG. PIPE (4 STD X 6 1/8 I.D.)	1	1
2	2	VY2240	MOUNTING PLATE	2	2
3	2	VY2240	ANGLE TUBE MOUNT	3	2
4	2	VY2241	ANGLE TUBE MOUNT	4	2
5	4	JR85A	U-BOLT ASSY	5	4
6	1/2	JR811A	SQ. U-BOLT ASSY	6	1/2

DMF370685			BILL OF MATERIAL		
ITEM	QTY	PART NO.	DESCRIPTION	ITEM	QTY
1	1	KH295	MTG. PIPE (4 STD X 6 1/8 I.D.)	1	1
2	2	VY2240	MOUNTING PLATE	2	2
3	2	VY2240	ANGLE TUBE MOUNT	3	2
4	2	VY2241	ANGLE TUBE MOUNT	4	2
5	4	JR85A	U-BOLT ASSY	5	4
6	1/2	JR811A	SQ. U-BOLT ASSY	6	1/2

DMF370685			BILL OF MATERIAL		
ITEM	QTY	PART NO.	DESCRIPTION	ITEM	QTY
1	1	KH295	MTG. PIPE (4 STD X 6 1/8 I.D.)	1	1
2	2	VY2240	MOUNTING PLATE	2	2
3	2	VY2240	ANGLE TUBE MOUNT	3	2
4	2	VY2241	ANGLE TUBE MOUNT	4	2
5	4	JR85A	U-BOLT ASSY	5	4
6	1/2	JR811A	SQ. U-BOLT ASSY	6	1/2

Unarco-Rohn  
Division of United Industries, Inc.

NAME: MOUNT DISH ASSY FACE 15-5" STR

DATE: 7-17-82

DESIGNED BY: G.L.B.-S.B.

CHECKED BY: [Signature]

APPROVED BY: [Signature]

DATE: 7-17-82

PROJECT NO.: D820146

REV: 1

**U BOLT KITS**

LEG SIZE	U-BOLT PIN (4 REQUIRED)	KIT ASSY PIN
1 1/2" PIPE	JR83AW	JR83AW4
2" PIPE	JR85AW	JR85AW4
2 1/2" PIPE	JR88AW	JR88AW4
3" PIPE	JR89AW	JR89AW4
3 1/2" PIPE	JR89AW	JR89AW4
4" PIPE	JR85AW	JR85AW4
5" PIPE	JR85AW	JR85AW4

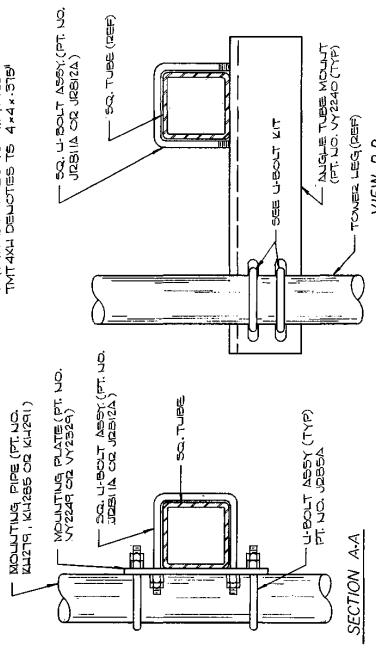
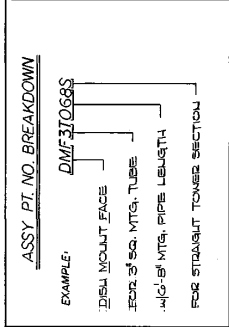
**FACE DISH MOUNT ORDERING INFORMATION**

1. TOP ASSY (SEE INDIVIDUAL 2-DIM) IS TO BE ORDERED AT BOTTOM.

2. TMTAH TOTAL TMTAH OR TMTAKH (PIPED U-BOLTS) (COME AT EACH TUBE TOP & BOTTOM). (EXAMPLE: TMTALCB = 4" LIGHT TUBE X 8'-0" LG.)

NOTE: TUBE LENGTHS TO BE ORDERED IN 1'-0" INCREMENTS ONLY. TS 2-28-1115A.

\*NOTE: TMTAL DENOTES TS 4-4 x 1/2". TMTAKH DENOTES TS 4-4 x 3/4".



**NOTES:**

1. FLAT WASHERS ARE PROVIDED FOR ALL UNFITTED LEGS.

\*#2. SQ. TUBES MAY BE NEEDED TOGETHER IF ADD'L. MTR. LENGTH IS REQD.

