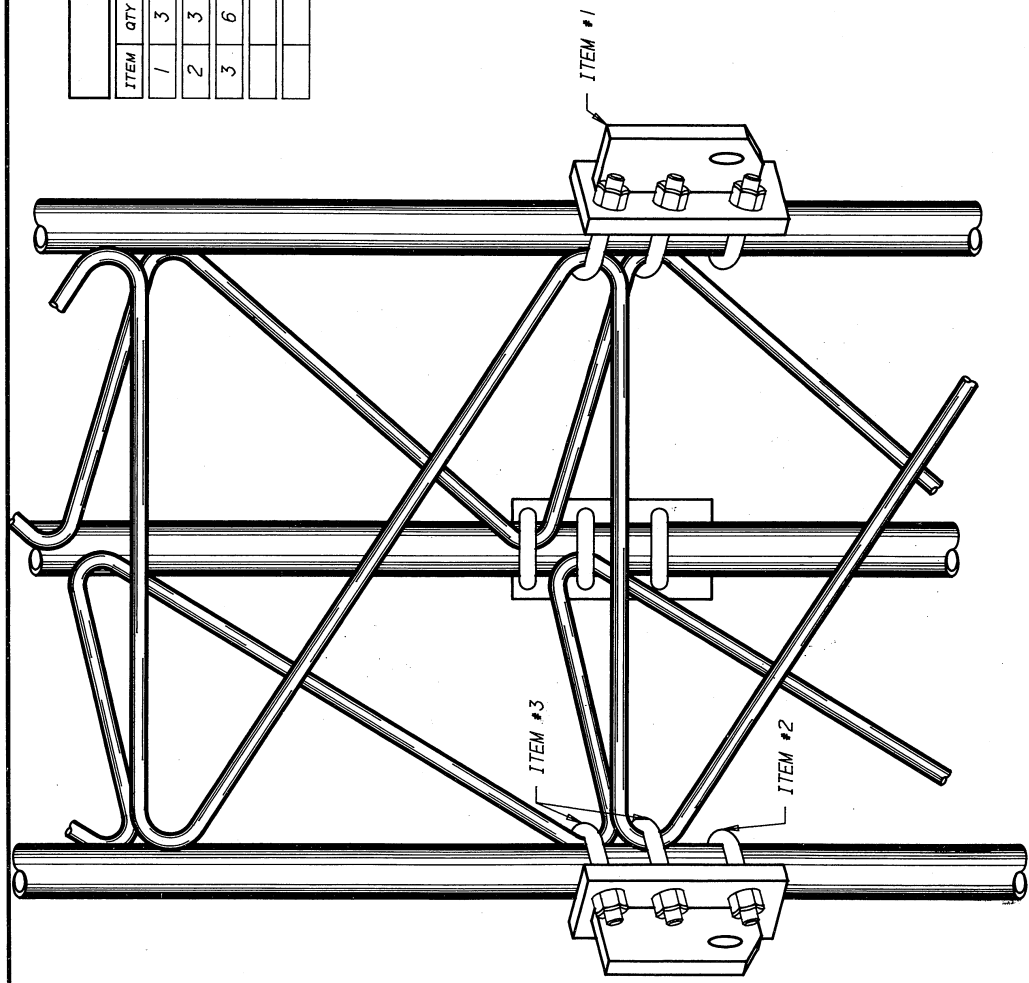


ASSEMBLY P/N GA656D BILL OF MATERIAL

| ITEM | QTY | PART NO. | DESCRIPTION | DWG NO. |
|------|-----|----------|------------------|---------|
| 1 | 3 | B656D | GUY BRACKET | C870709 |
| 2 | 3 | JR810A | 1/2" U-BOLT ASSY | B651028 |
| 3 | 6 | JR655A | 1/2" U-BOLT ASSY | B710909 |
| | | | | |
| | | | | |

GENERAL NOTES

- UPPERMOST U-BOLTS MUST INTERCONNECT WITH ZIG-ZAG BRACES AS SHOWN.
 - BRACKET DESIGNED FOR A MAXIMUM 7.5 * KIPS VERTICAL DOWNPULL.
 - MAXIMUM THIMBLE SIZE = 9/16" HVY
- * MAXIMUM DOWNPULL CAPACITY BASED ON ANSII/EIA-222-E-1991.



| | | | |
|-----|----------------------|---------|--------|
| R2 | REV. E WAS REV. D | 8-27-92 | JDM/JP |
| R1 | ADDED CAPACITY NOTE | 3-27-91 | CSR/PT |
| No. | Revision Description | Date | By |

UNR-Rohn

GUY BRACKET ASSEMBLY FOR 65G TOWERS

Scale: NONE
 Unless otherwise specified, dimensions are given in inches.

Drawn: WAF/MDU 9/22/87 Date: 02-26-88
 Checked by: GAW Date: 02-26-88
 Approved by Engineering: ZAM Date: 2-26-88
 Approved by Production: Date: _____
 Approved by Sales: Date: 2-26-88
 Drawing Number: B870900R 2