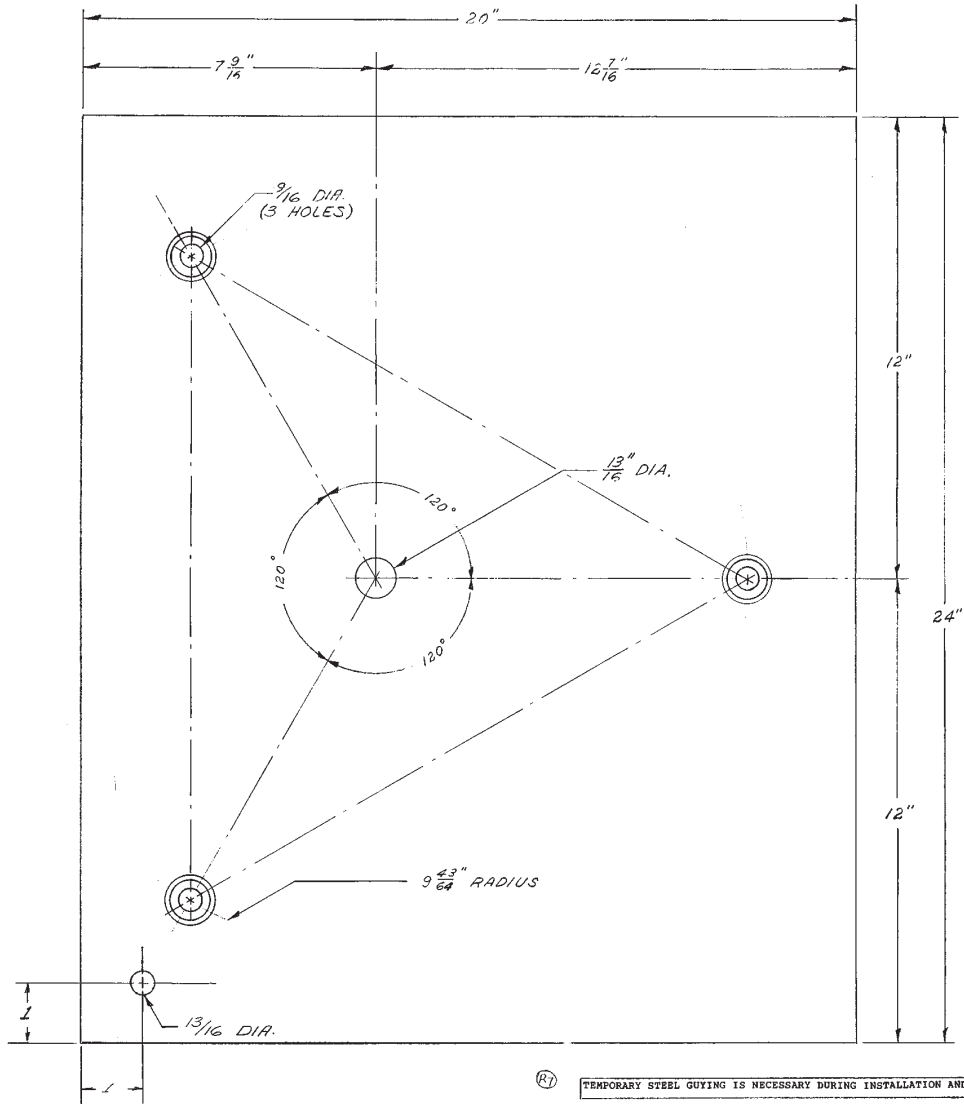
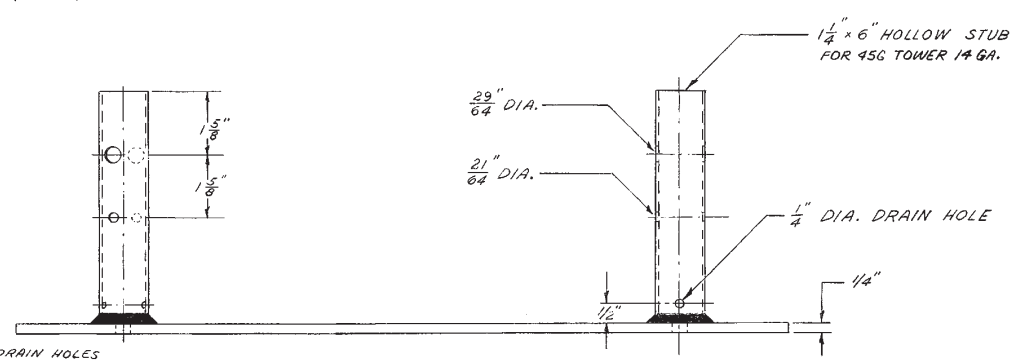


C640645-R7



TITLE		CUSTOMER		DRAWN BY		CHECKED BY		APPROVED BY		DATE		SCALE	
BASE PLATE FOR MODEL 45 TOWER		ROHN MANUFACTURING PEORIA, ILLINOIS		M. BUENORA		J. B. B. B.		J. B. B. B.		6-30-84		1/8" = 1'-0"	
DRAWING NO.													
C 640645 R7													

(R1) TEMPORARY STEEL GUYING IS NECESSARY DURING INSTALLATION AND DISMANTLING.



NOTE:
AFTER GALVANIZING CHECK DRAIN HOLES TO SEE THAT THEY ARE NOT PLUGGED.

(R3) NOTE: DUE TO VARIABLES INVOLVED IN ROOF AND OTHER INSTALLATIONS, IT SHALL BE THE CUSTOMER'S OR INSTALLER'S RESPONSIBILITY TO PROVIDE STRUCTURALLY ADEQUATE SUPPORTS FOR PIER & ANCHOR CONNECTIONS. IT MAY ALSO BE NECESSARY FOR THE CUSTOMER OR INSTALLER TO SECURE THE SERVICE OF A LOCAL ENGINEER TO DETERMINE THAT INSTALLATION COMPLIES WITH LOCAL BUILDING CODES.

BASE PLATE FOR CONCRETE PIER
(PART NO. BPC 45G)

NOTE: (R)
FOR USE WITH GUYED AND BRACKETED TOWERS ONLY.

ILLINOIS BPC 45G