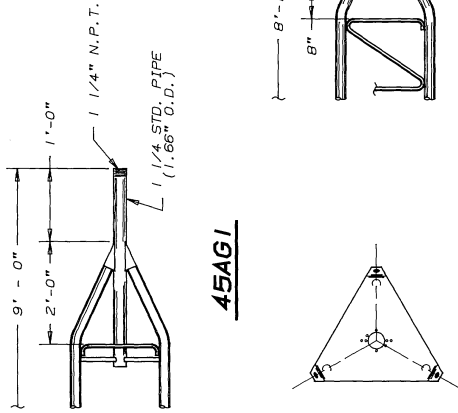
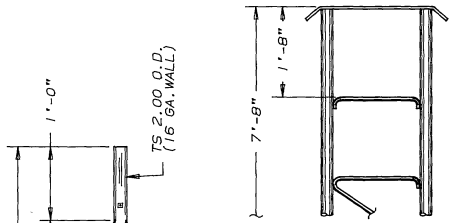


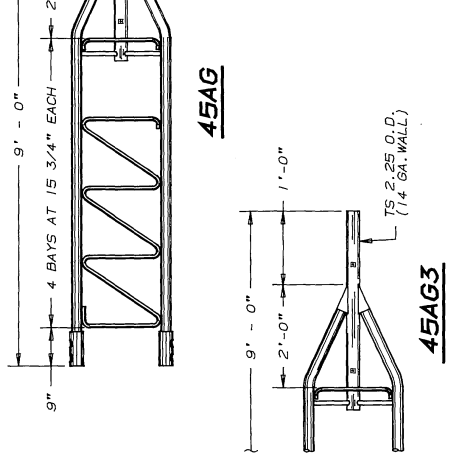
45AG2



45AG1



45AG4



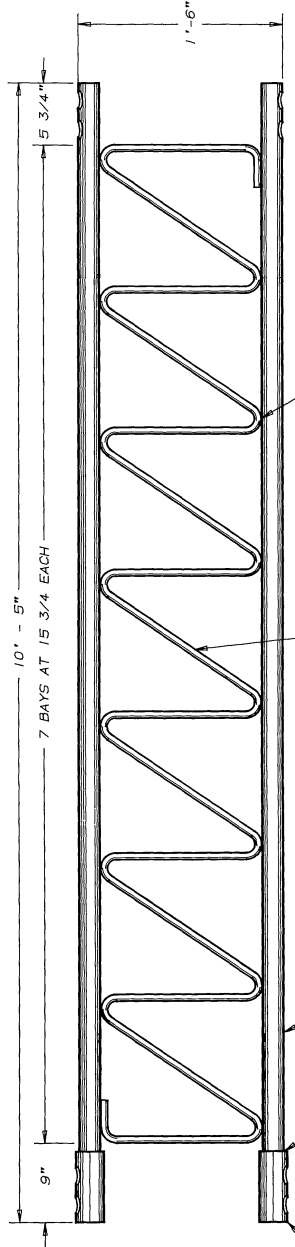
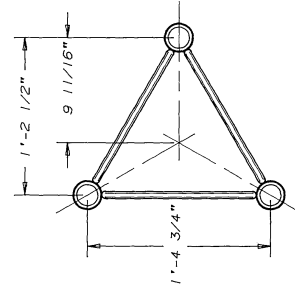
45AG3

TYPICAL PLAN VIEW
(FOR ALL SECTIONS EXCEPT 45AG4)

45AG5

45AG4

NOTE: SPECIFICATIONS OF TOP SECTIONS ARE THE SAME AS SECTION NO. 45G EXCEPT AS NOTED ABOVE.



P/N 45G SECTION

SAE GRADE 5 BOLT ASSY'S REQUIRED
(3) 5/16" DIA. X 2 3/8" LG. (NC BOL TS)
R10 REV. 01/11/1991
R9 H WAS 49.5
RB REDRAWN AND REVISED SPEC. 02-13-88 GPW
No. Revision Description Date By

ROHN

45G SECTION ASSEMBLY

Scale	NONE	Date	02/13/88
Drawn by	GPW	Material	
Checked by		Finish	
Approved by Engineering		Angles	
Approved by Production		Weight	
Approved by Sales		This drawing is the property of ROHN. It is not to be reproduced, copied or traced in whole or in part without our written permission.	
		File Number	
		Date	2-23-88
		Drawing Number	C630645 R 10

NOMENCLATURE

- A = CROSS SECTIONAL AREA (SQUARE INCHES)
- C = COMPRESSION CAPACITY WITH 1/3 INCREASE IN ALLOWABLE STRESS (KIPS)
- I = MOMENT OF INERTIA ABOUT CENTROIDAL AXIS (INCHES⁴)
- F_y = MINIMUM YIELD STRENGTH (KSI)
- K = EFFECTIVE LENGTH FACTOR (DIMENSIONLESS)
- L = UNBRACED LENGTH (INCHES)
- N/A = NOT APPLICABLE
- S = ELASTIC SECTION MODULUS (INCHES³)
- T = TENSION CAPACITY WITH 1/3 INCREASE IN ALLOWABLE STRESS (KIPS)
- r = RADIUS OF GYRATION (INCHES)
- W = WEIGHT PER FOOT (POUNDS)
- W_s = WEIGHT PER SECTION (POUNDS)

NOTE: CAPACITIES SHOWN ARE BASED ON ANS/AIA-222-E-1991.

45G TOWER SECTION PROPERTIES

ITEM	LEGS	BRACES	SECTION
SIZE	TS 1.25 O.D. WALL	BAR 7/16 DIA.	N/A
F _y	50.0	36.0	N/A
A	0.3043	0.1503	.913
S	0.0833	0.0082	4.15
I	0.0521	0.0018	42.7
r	0.4136	0.1094	6.84
L	15.25	22.1	VARIES
K	1.0	0.70	1.0
KL/r	38.0	14.14	VARIES
C	10.6	1.90	N/A
T	5.46	N/A	N/A
M	N/A	N/A	1.4
W	1.085	0.512	7.000
W _s	35.0	35.0	70.0